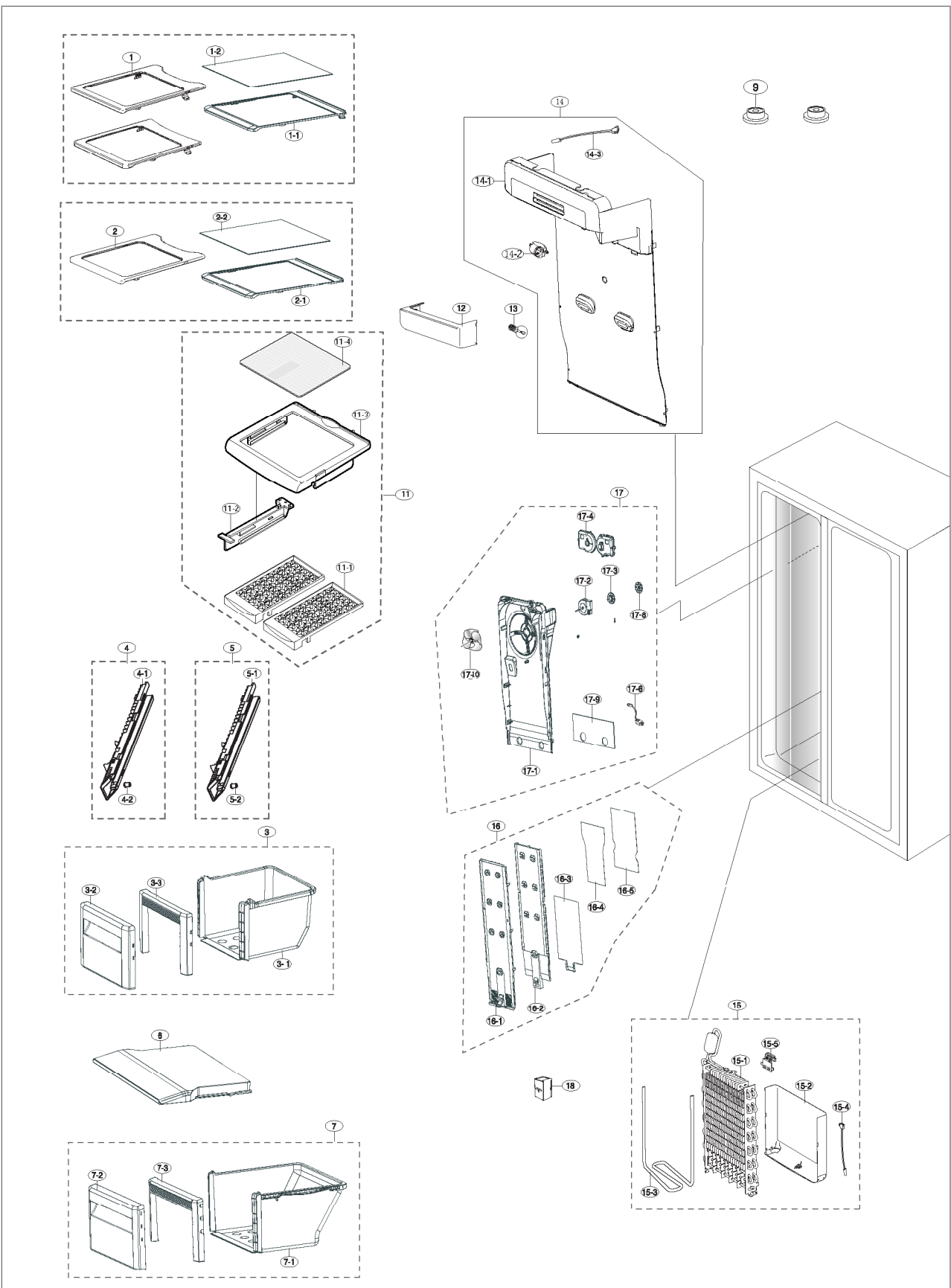


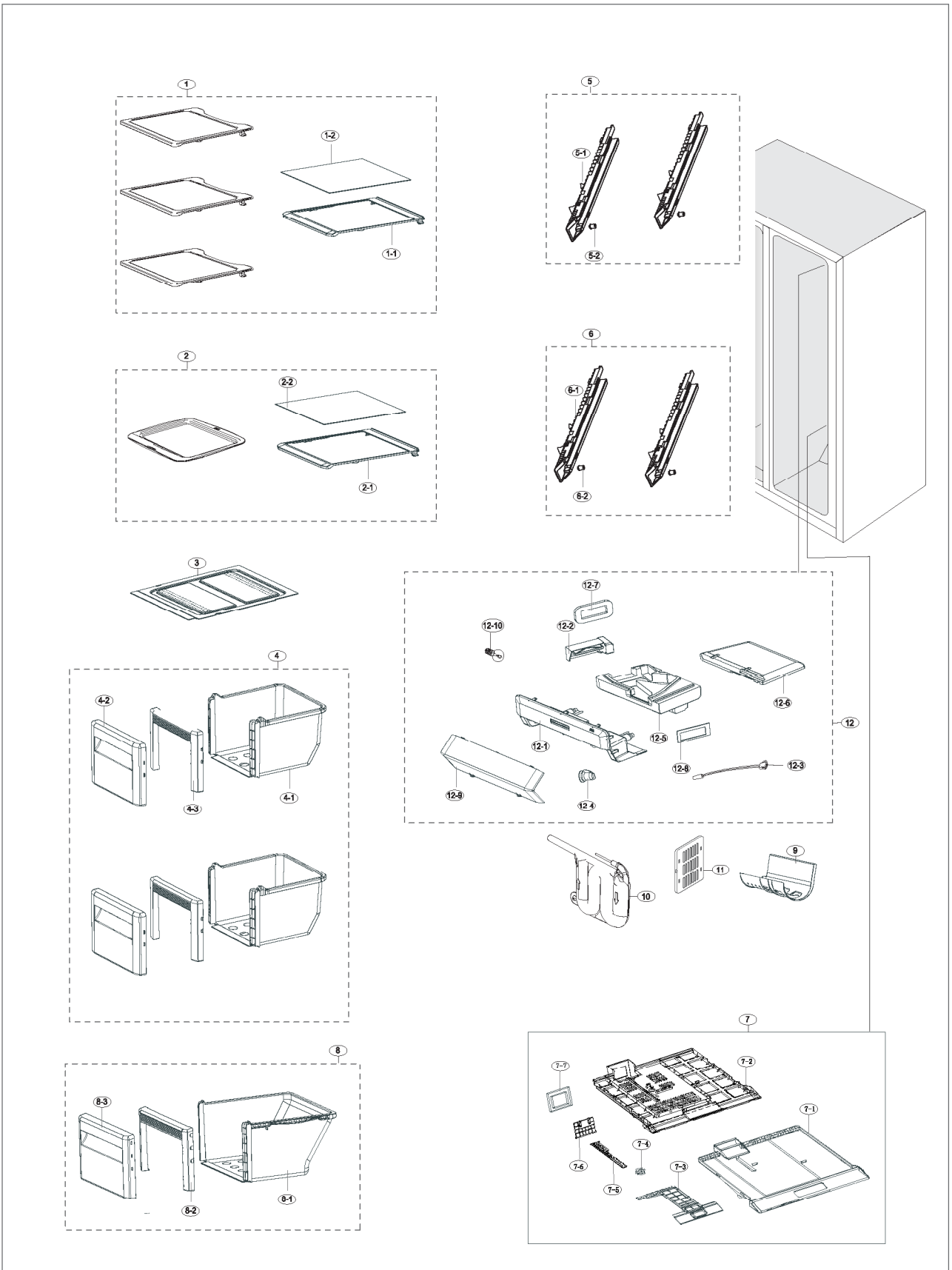
5. EXPLODED VIEW & PART LIST

5-2) Freezer (RSA1N RSA1S RSA1W)



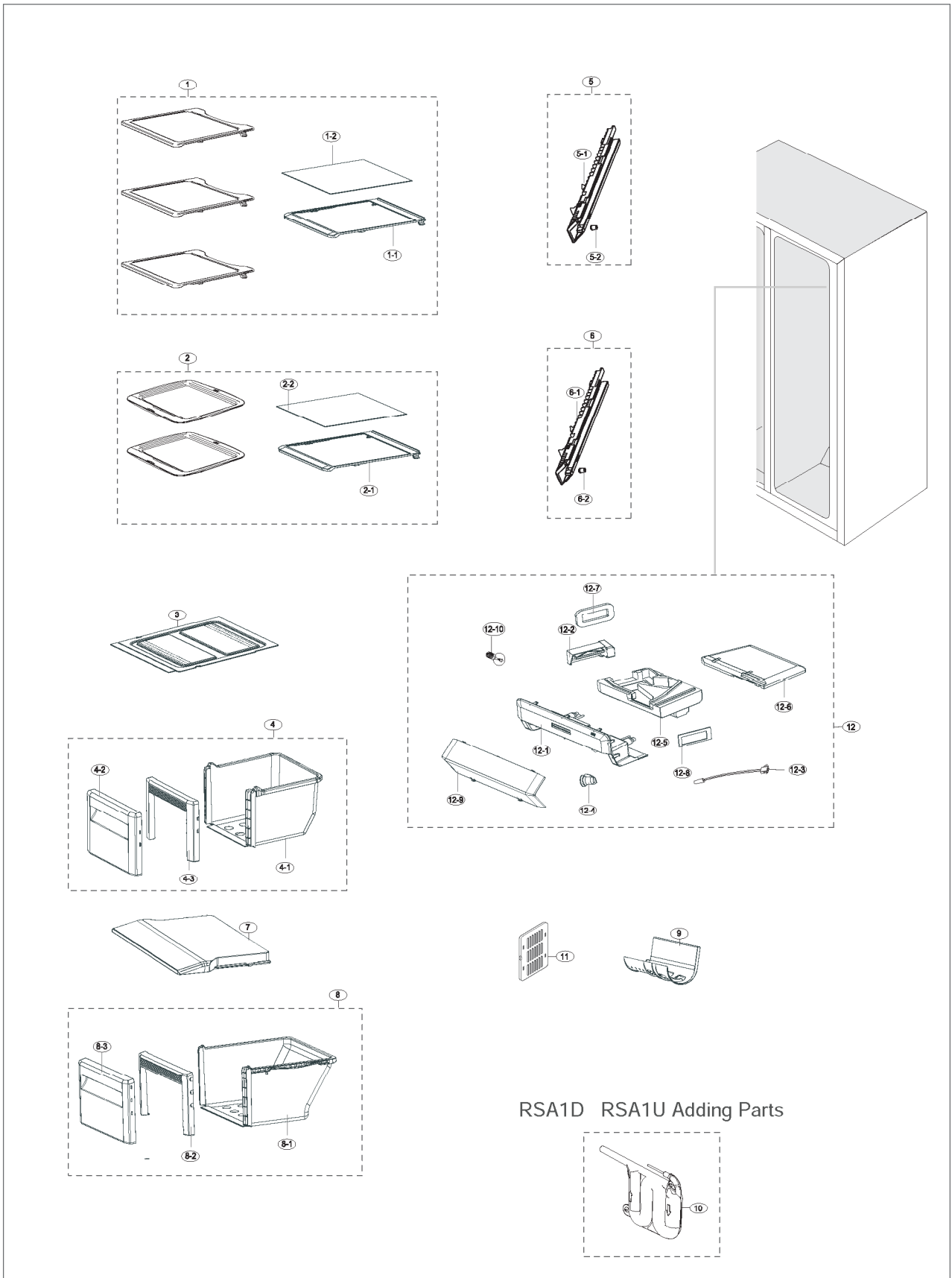
EXPLODED VIEW & PART LIST

5-3) Fridge (RSA1Z RSA1J)



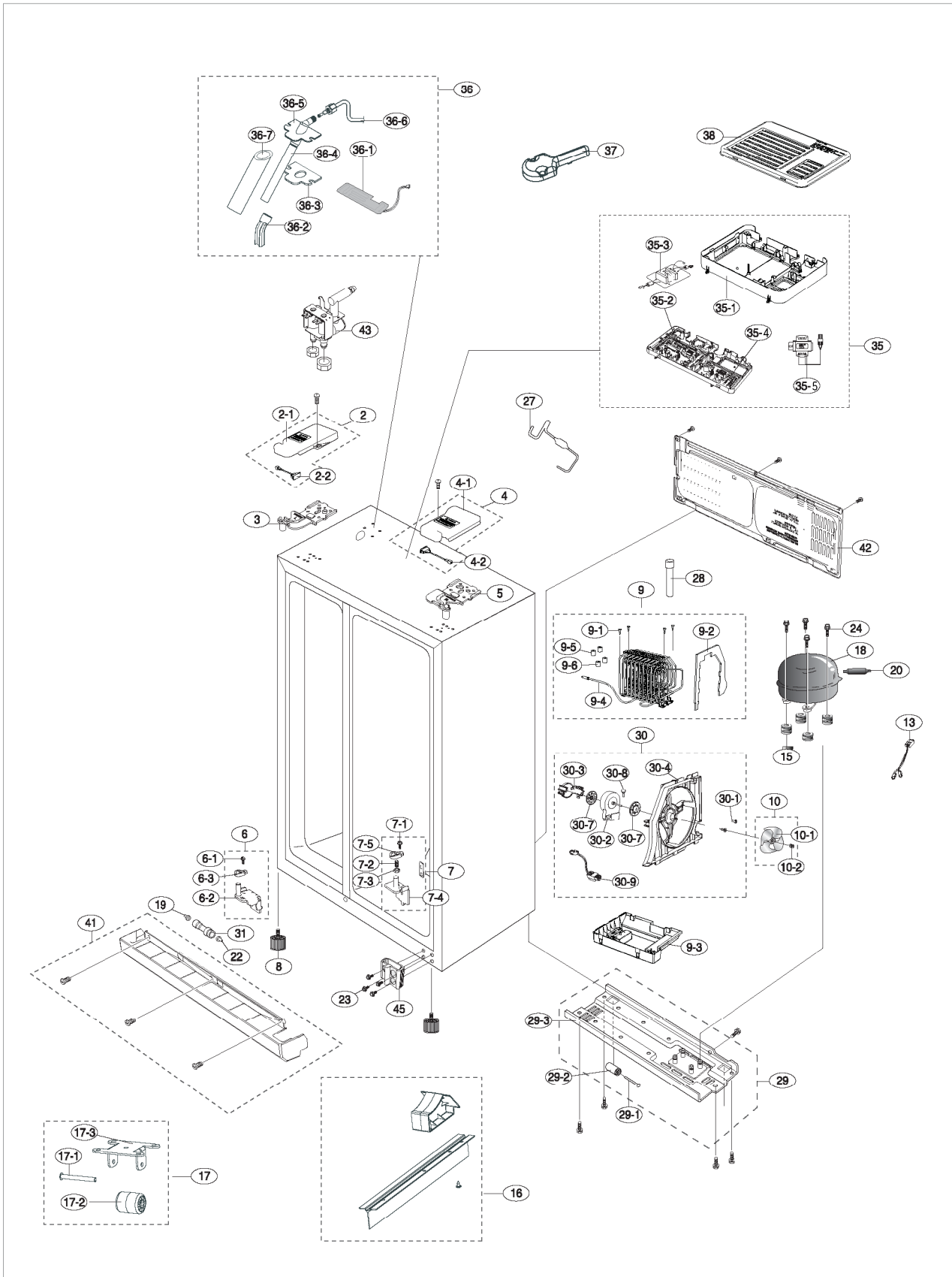
EXPLODED VIEW & PART LIST

5-4) Fridge (RSA1U RSA1D RSA1N RSA1S RSA1W)



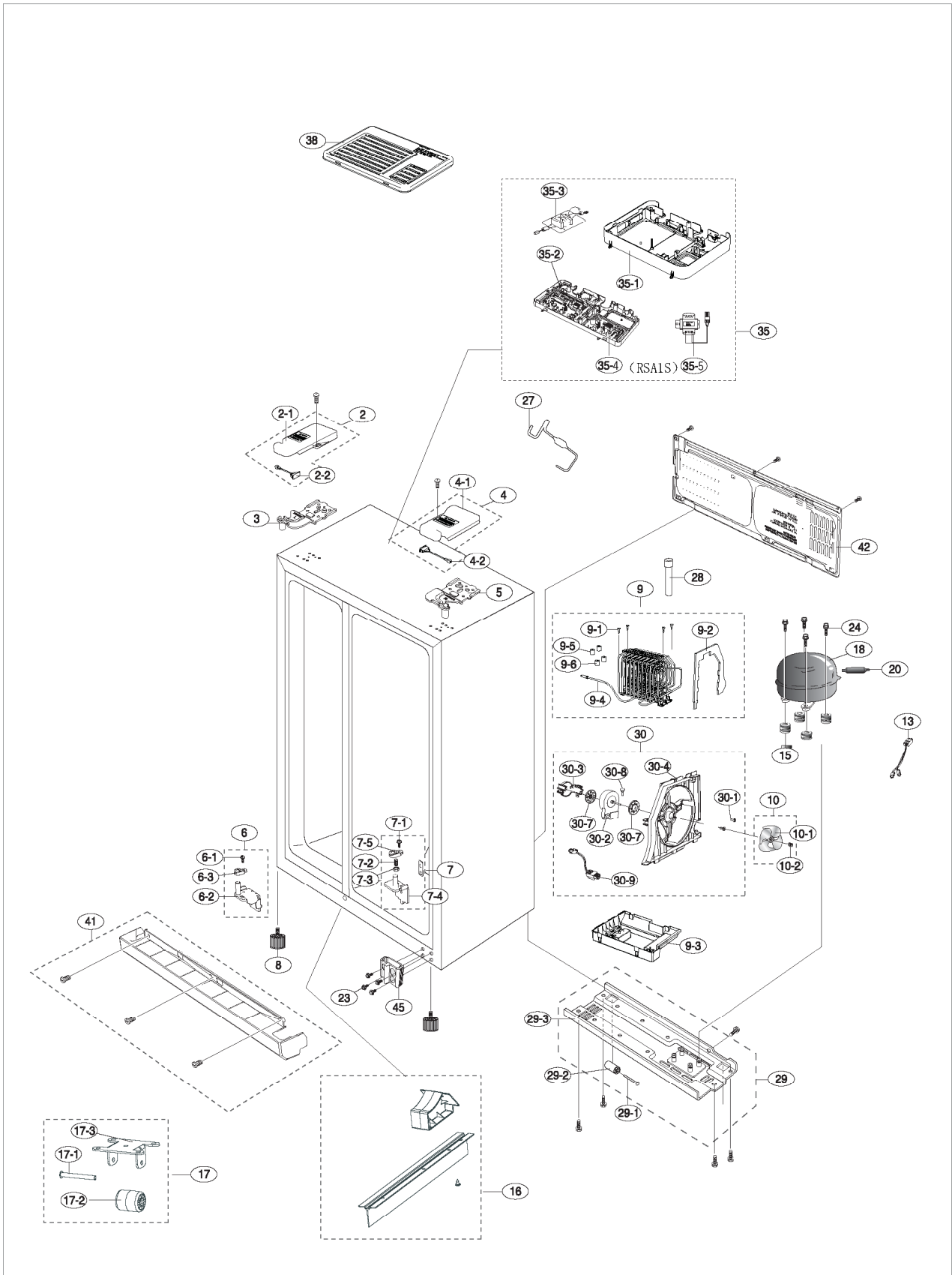
EXPLODED VIEW & PART LIST

5-5) Cabinet & Unit (RSA1Z RSA1J RSA1D RSA1U)



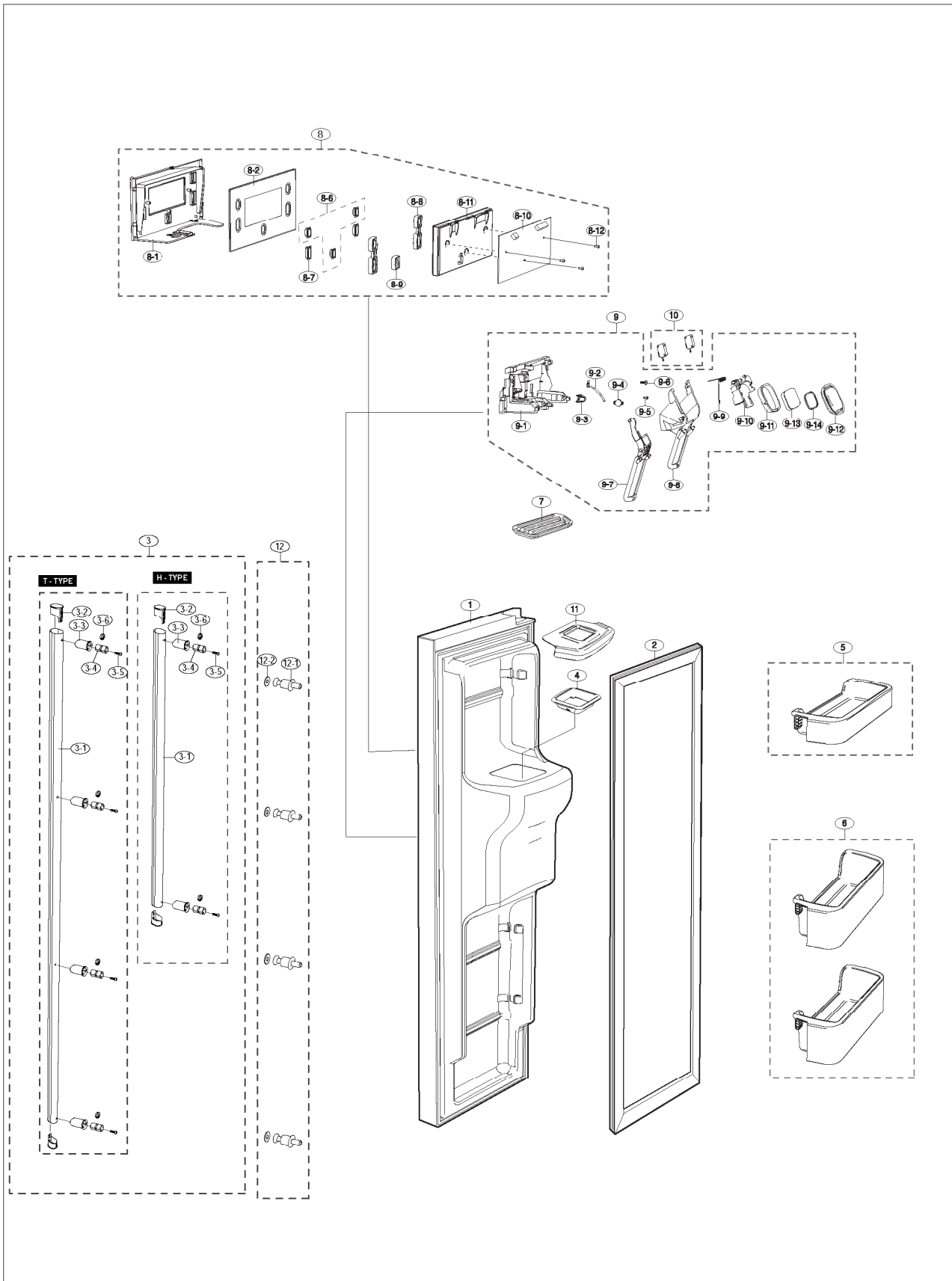
EXPLODED VIEW & PART LIST

5-6) Cabinet & Unit (RSA1N RSA1S RSA1W)



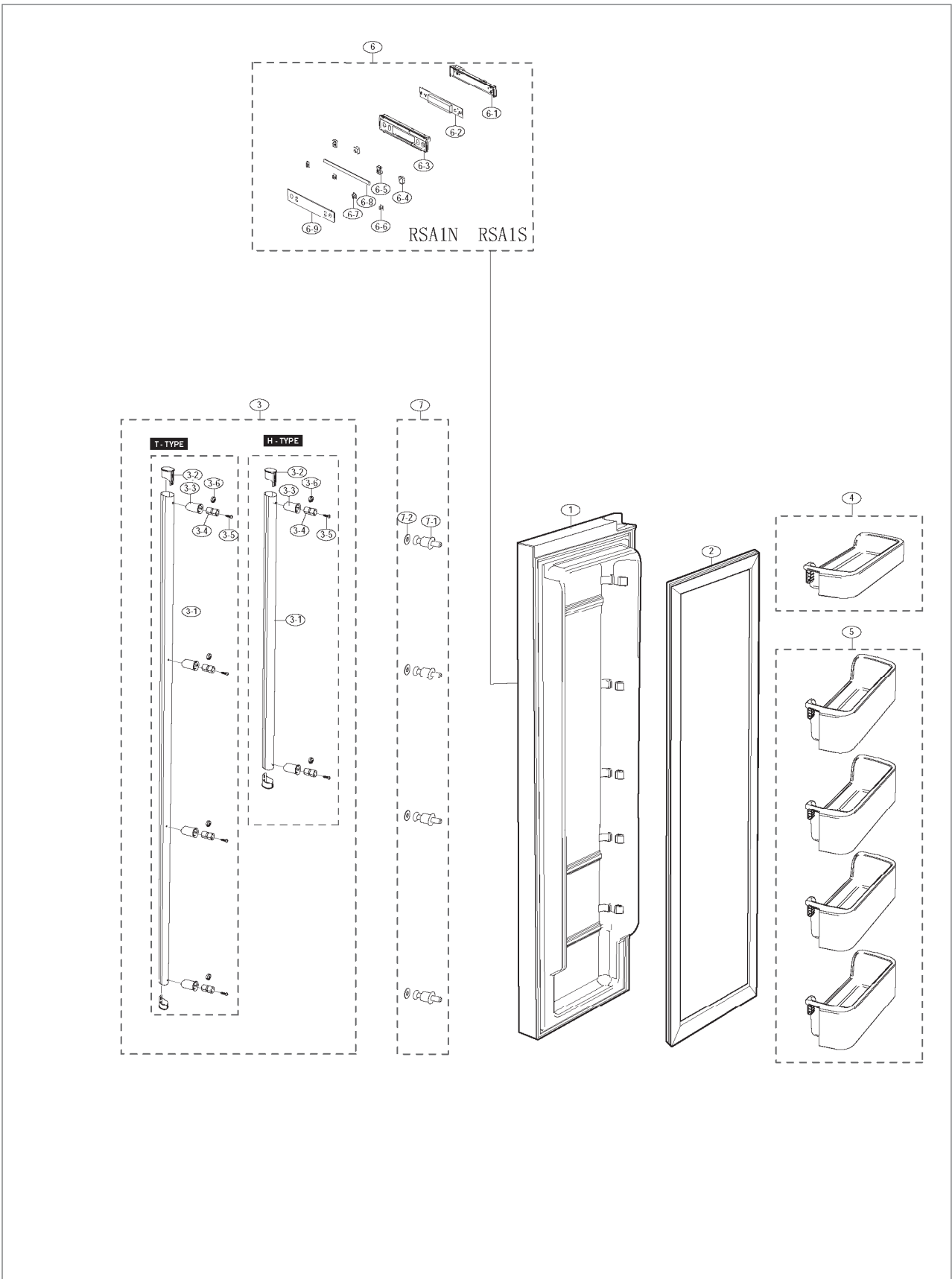
EXPLODED VIEW & PART LIST

5-7 Freezer Door (RSA1Z RSA1J RSA1D RSA1U)



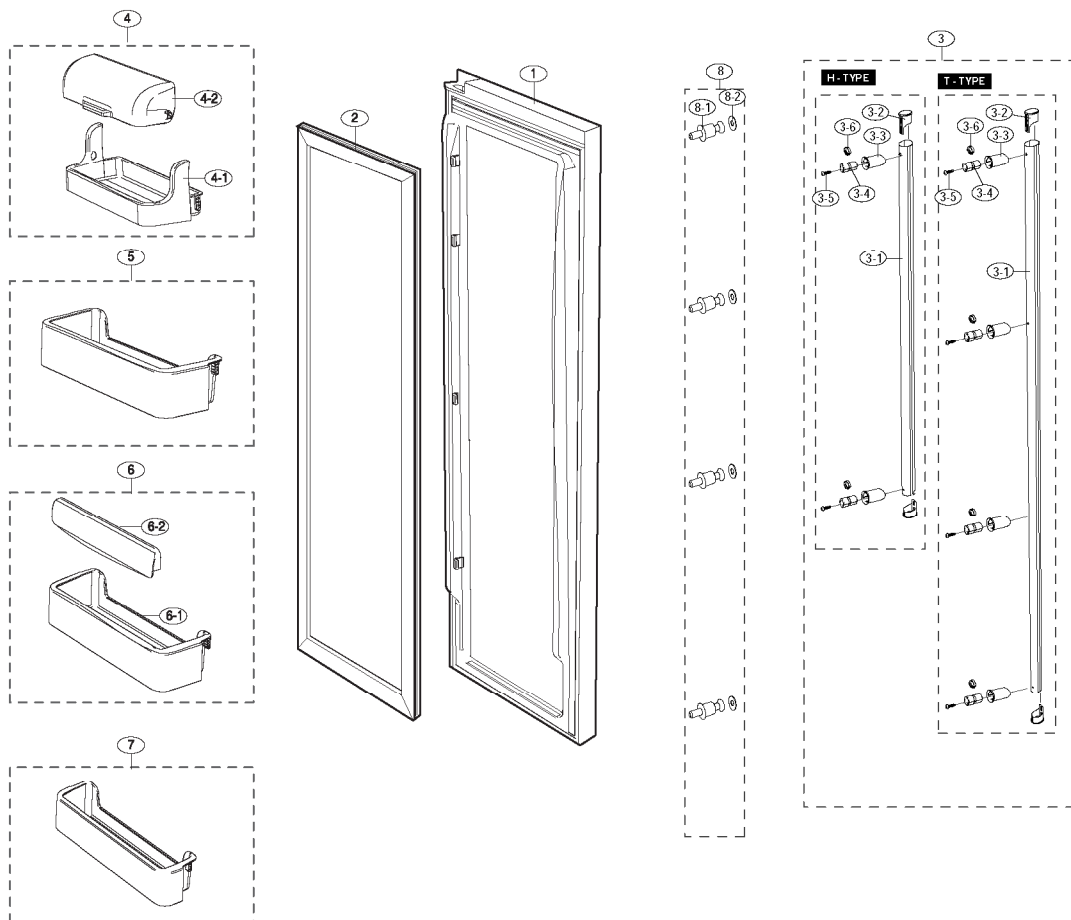
EXPLODED VIEW & PART LIST

5-8) Freezer Door (RSA1N RSA1S RSA1W)



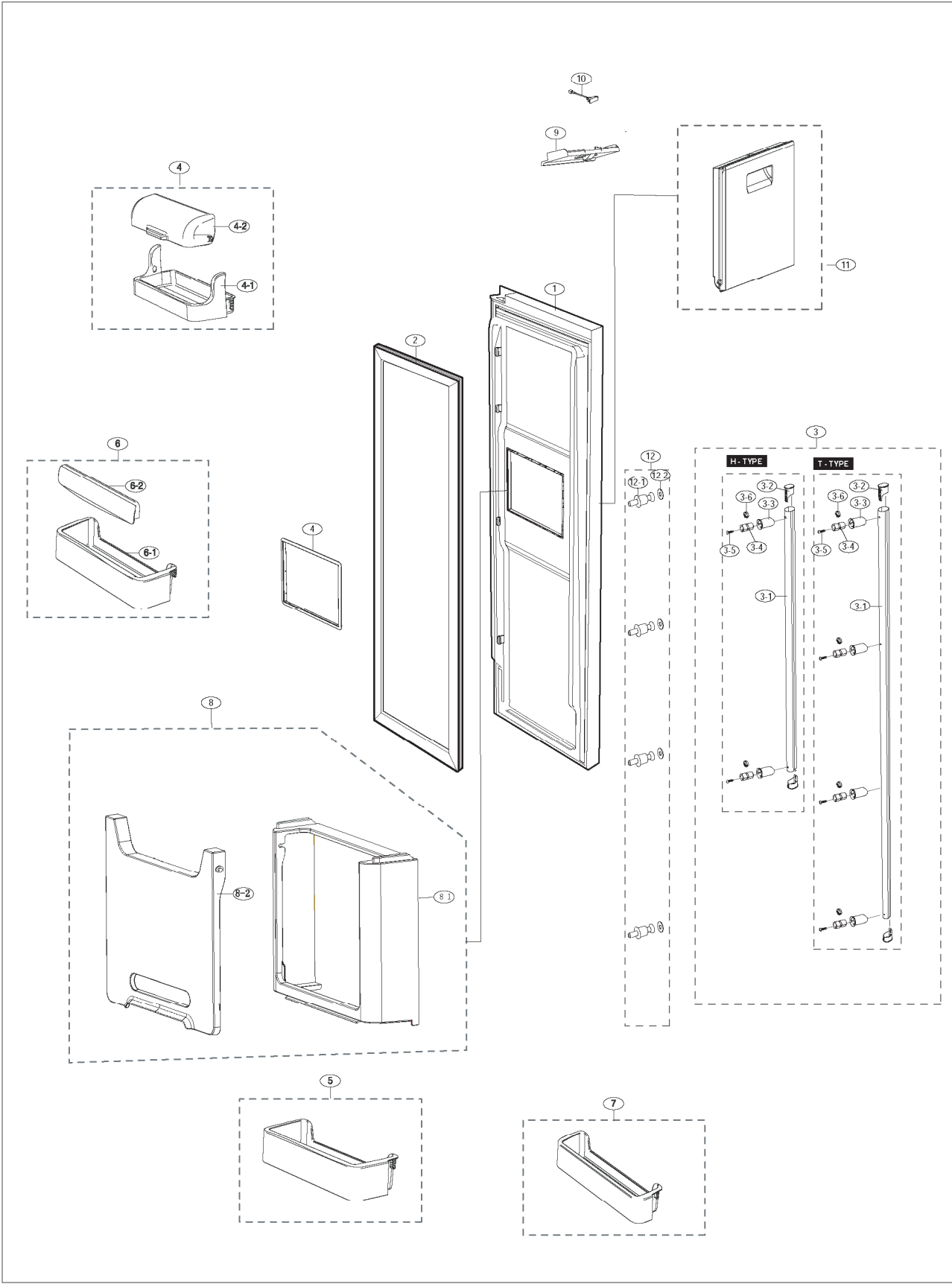
EXPLODED VIEW & PART LIST

5-9)Fridge Door (RSA1J RSA1D RSA1U RSA1N RSA1S)



EXPLODED VIEW & PART LIST

5-10) Fridge Door (RSA1Z)



EXPLODED VIEW & PART LIST

5-9)Fridge Door (RSA1W)

