

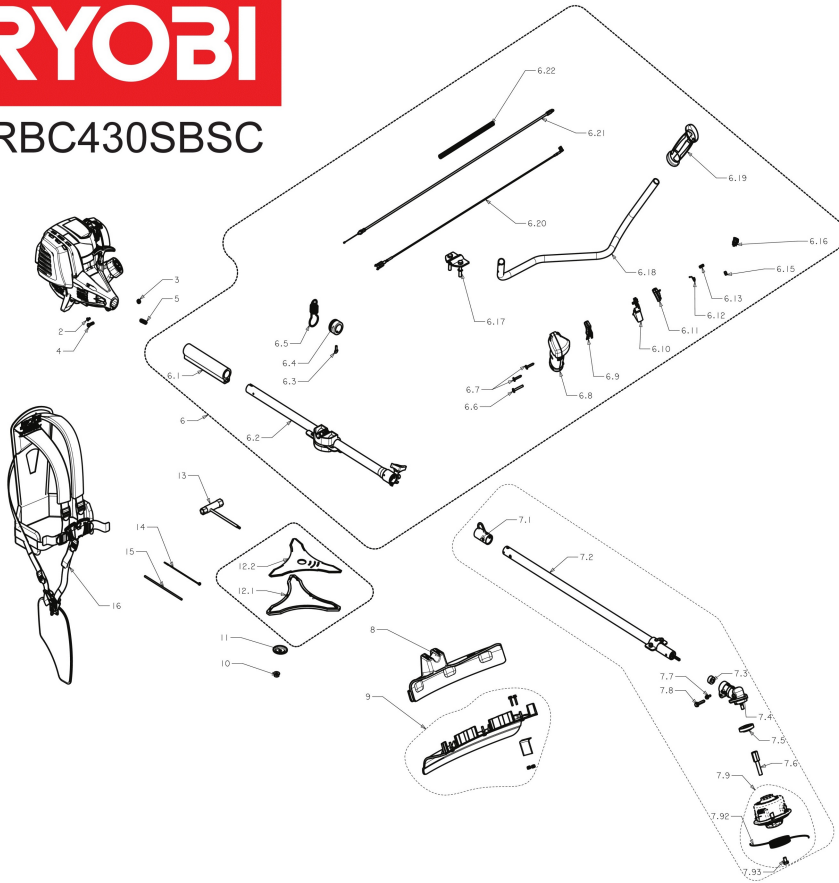
# RBC430SBSC DEBROUS. SPLB 30CC

5133001887 - RBC430SBSC - 090431039



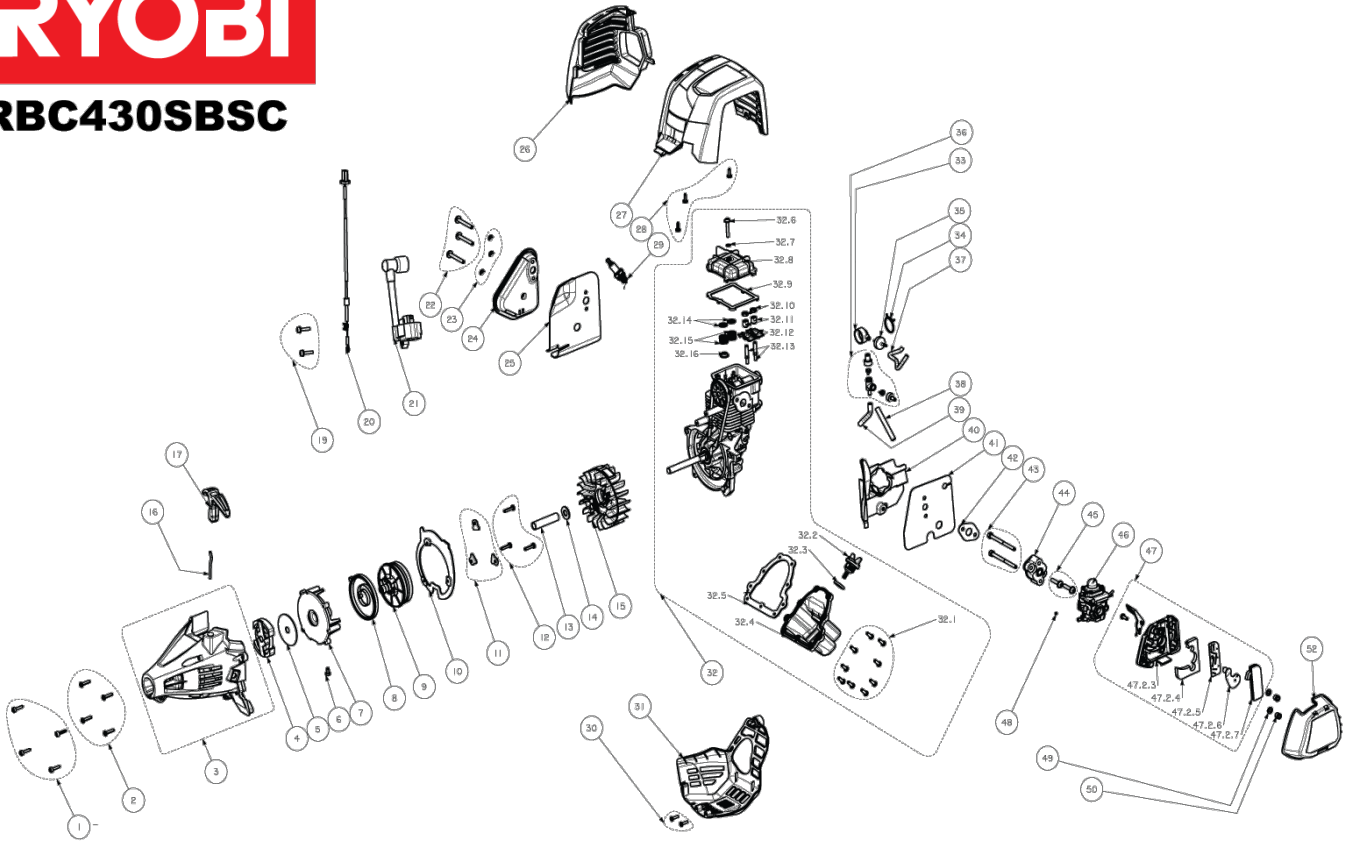


RBC430SBSC



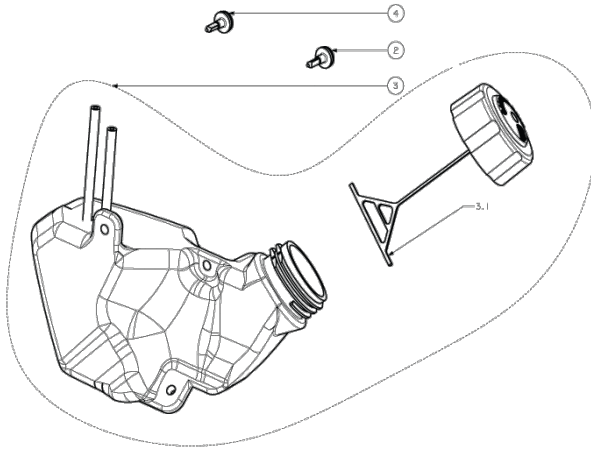


RBC430SBSC





**RBC430SBSC**



Position	Quantité	Désignation	Référence	EAN
1_002	1	VIS	5131001002	4058546080426
1_003	1	ECROU	5131011759	
1_004	1	VIS	5131035135	4058546146351
1_005	1	RESSORT	5131001907	4058546083700
1_006	1	TUBE	5131000000	
1_006.01	1	PIECE DE POIGNEE	5131001700	4058546082888
1_006.02	1	TUBE	5131034508	4002395163243
1_006.03	1	VIS	5131036437	4058546158026
1_006.04	1	MANCHON	5131000000	
1_006.05	1	RESSORT	5131001886	4058546162399
1_006.06	1	VIS	5131001855	4058546083564
1_006.07	3	VIS	5131001850	4058546083533
1_006.08	1	DEMI POIGNEE	5131001697	4058546082871
1_006.09	1	VERROU	5131034513	4058546141752
1_006.10	1	GACHETTE	5131000000	
1_006.11	1	BOUTON	5131000000	
1_006.12	1	RESSORT	5131001887	4058546083656
1_006.13	1	RESSORT	5131001888	4058546083663
1_006.14	1	POIGNEE	5131000000	
1_006.15	1	ECROU	5131001059	4058546080785
1_006.16	1	INTERRUPTEUR	5131000000	
1_006.18	1	GUIDON	5131000000	
1_006.19	1	PIECE DE POIGNEE	5131035146	4058546146450
1_006.20	1	CABLE	5131018494	4058546172503
1_006.21	1	CABLE	5131000000	
1_006.22	1	CARTER PROTECTION	5131001702	4058546082895
1_006.23	1	BRAS	5131035038	4058546145538
1_006.24	1	ATTACHE	5131000000	
1_007.01	1	BOUCHON	5131018500	4058546107161
1_007.02	1	TUBE	5131000000	
1_007.03	1	ENTRETOISE	5131018499	4058546107154
1_007.04	1	CARTER D'ENGRENAGE	5131000000	
1_007.05	1	BRIDE	5131035094	4058546146023
1_007.06	1	AXE D'ENTRAINEMENT	5131011757	4058546098612
1_007.07	1	VIS	5131035058	4058546145736
1_007.08	1	VIS	5131035057	4058546145729
1_007.93	1	VIS	5131035083	4058546145927
1_008	1	CARTER PROTECTION	5131019387	4002395274840
1_009	1	CARTER PROTECTION	5131019388	4058546108366
1_010	1	COUTEAU ECROU	5131001056	4058546080754
1_011	1	RONDELLE	5131035092	4058546146009
1_012.01	1	PROTECTION	5131000000	
1_013	1	CLE	5131000880	4058546079666
1_014	1	CABLE	5131000000	
1_015	1	TIGE	5131017834	4058546106492
1_016	1	SANGLE	5131035095	4058546146030
2_001	4	VIS	5131047770	4058546504069
2_002	4	VIS	5131011555	4058546098469
2_003	1	CARTER	5131015983	4058546103088
2_004	1	ACCOUPLLEMENT	5131000571	4058546077976

Position	Quantité	Désignation	Référence	EAN
2_005	1	RONDELLE	5131000909	4058546079826
2_006	1	VIS	5131001002	4058546080426
2_007	1	SUPPORT	5131017406	4058546105365
2_008	1	RESSORT	5131000906	4058546079802
2_009	1	POULIE	5131034468	4058546141370
2_010	1	PLAQUE	5131016077	4058546103279
2_011	3	SUPPORT	5131001831	4058546083434
2_012	3	VIS	5131047770	4058546504069
2_013	1	RONDELLE	5131001827	4058546083410
2_014	1	RONDELLE	5131000946	4058546080051
2_015	1	VOLANT	5131000000	
2_016	1	CABLE	5131001185	4058546081409
2_017	1	POIGNEE	5131016028	4058546103163
2_018	2	ECROU	5131000000	
2_019	2	VIS	5131011554	4058546098452
2_020	1	FIL DE COUPE	5131000000	
2_021	1	BOBINE D'ALLUMAGE	5131033852	4002395143245
2_022	3	VIS	5131000000	
2_023	1	RONDELLE ELASTIQUE	5131000000	
2_024	1	ECHAPPEMENT	5131034470	4058546141387
2_026	1	CARTER	5131016076	4058546171162
2_027	1	CARTER	5131034471	4058546141394
2_028	3	VIS	5131000000	
2_029	1	BOUGIE	5131016267	4058546103682
2_030	2	VIS	5131000000	
2_031	1	COUVERCLE CARTER	5131034473	4058546141400
2_032	1	SHORT BLOCK	5131034474	4058546141417
2_032.01	9	VIS	5131011543	4058546098360
2_032.02	1	JAUGE	5131016053	4058546103187
2_032.03	1	JOINT THORIQUE	5131000000	
2_032.04	1	CARTER	5131000000	
2_032.05	1	JOINT	5131016099	4058546103316
2_032.06	1	VIS RLT430CES	5131000000	
2_032.07	1	JOINT THORIQUE	5131000000	
2_032.08	1	COUVERCLE	5131034475	4058546141424
2_032.09	1	JOINT	5131034476	4058546141431
2_032.10	2	ECROU	5131034477	4058546141448
2_032.11	2	ENTRETOISE	5131000000	
2_032.12	2	BASCULE	5131034479	4058546141462
2_032.13	2	GOUJON	5131034480	4058546141479
2_032.14	2	RETENUE	5131034481	4058546141486
2_032.15	2	RESSORT	5131034482	4058546141493
2_032.16	1	JOINT	5131034483	4058546141509
2_033	1	CAOUTCH. SPONGIEUX	5131000000	
2_034	1	COLLIER	5131034485	4058546141523
2_035	1	VALVE	5131015965	4058546102982
2_036	1	VALVE	5131000000	
2_037	1	TUYAU	5131034487	4058546141547
2_038	1	TUYAU	5131034488	4058546141554
2_039	1	TUYAU	5131034489	4058546141561

Position	Quantité	Désignation	Référence	EAN
2_040	1	DEFLECTEUR	5131034490	4058546141578
2_041	1	JOINT	5131034491	4058546141585
2_042	1	JOINT	5131034492	4058546141592
2_043	2	BOULON	5131034493	4058546141608
2_044	1	ENTRETOISE	5131000000	
2_045	2	VIS	5131019120	4058546067885
2_046	1	CARBURATEUR	5131034495	4058546141622
2_047	1	FILTRE A AIR	5131034496	4058546141639
2_047.001	1	COUVERCLE	5131016465	4058546171469
2_047.02	1	PLAQUE DE BASE	5131036283	4058546156541
2_047.02.04	1	FEUTRE	5131034499	4058546141646
2_047.02.05	1	DEFLECTEUR	5131034500	4058546141653
2_047.02.06	1	PLAQUE	5131034501	4058546141660
2_047.02.07	1	CAOUTCH. SPONGIEUX	5131034502	4058546141677
2_048	1	CAOUTCH. SPONGIEUX	5131000000	
2_049	1	RONDELLE	5131034504	4058546141691
2_050	2	ECROU	5131000000	
2_052	1	COUVERCLE	5131016465	4058546171469
3_002	1	VIS	5131011556	4058546098476
3_003	1	RESERVOIR	5131034505	4058546141707
3_003.01	1	BOUCHON	5131034506	4058546141714
3_004	1	VIS	5131016188	4058546171261
1_007.09	1	TETE EASY REEL RBC30SESF/SBSF/RLT/R	5131000000	
1_007.92	1	50M NYLON 2.4MM	5131000000	
1_012.02	1	LAME D.200 X 25.4 X 3D	5131000000	