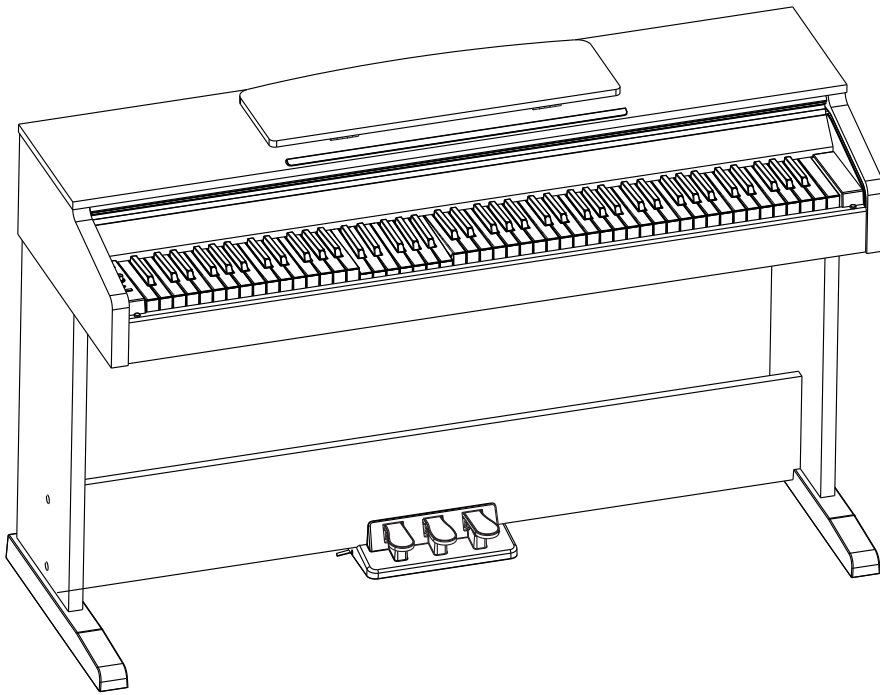


# **DIGITAL PIANO DP250**

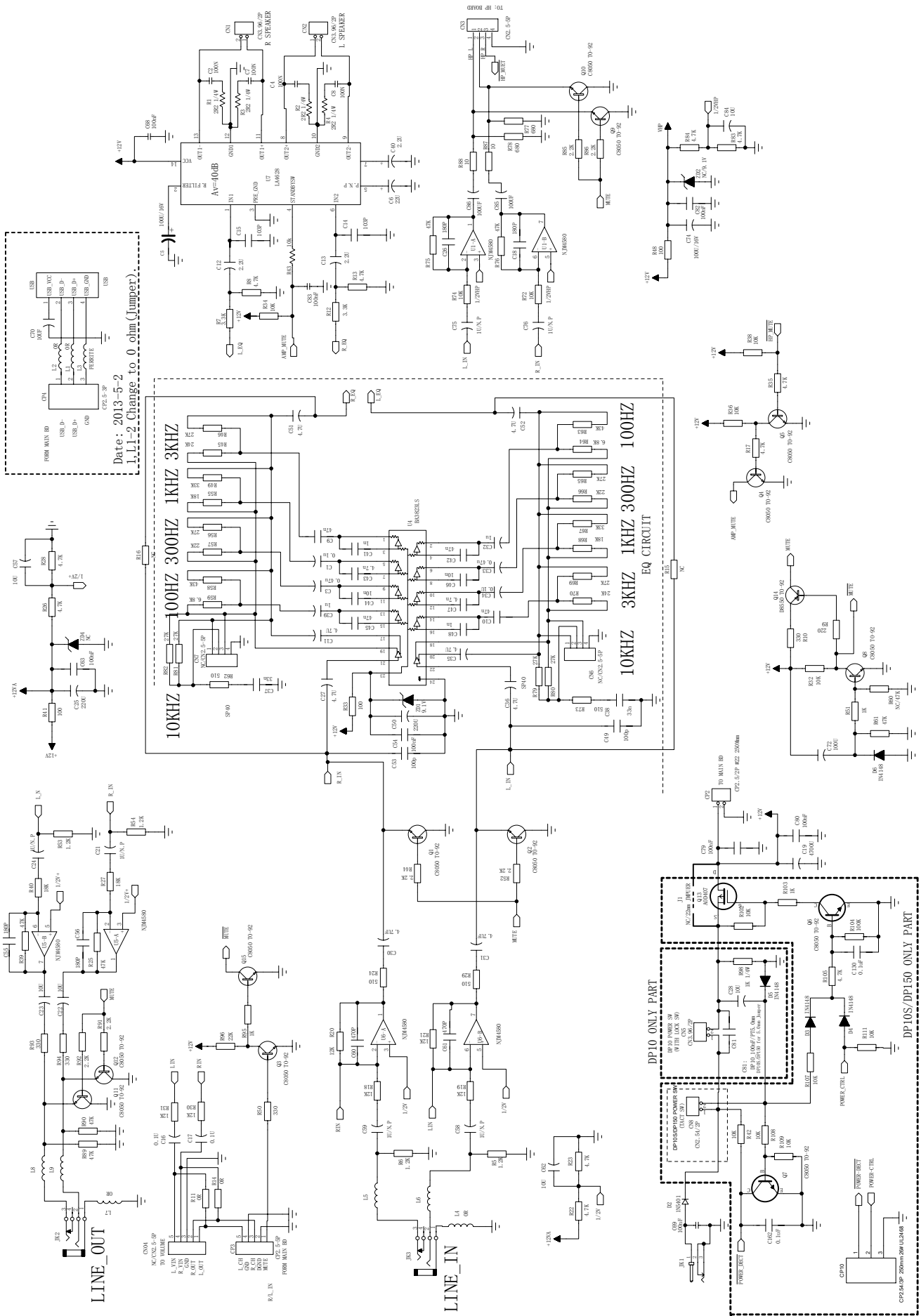


## **SERVICE MANUAL**

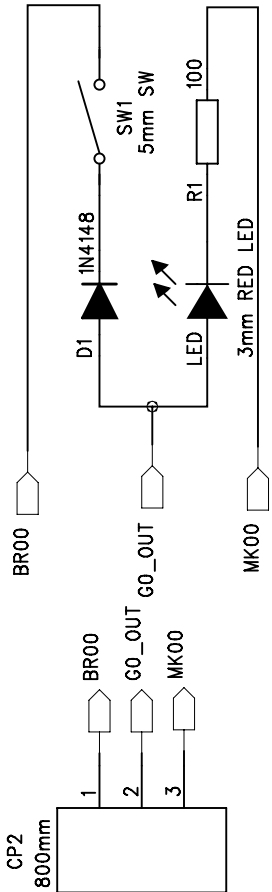




Amplifier Board Schematic



Function Board Schematic



FUNCTION

