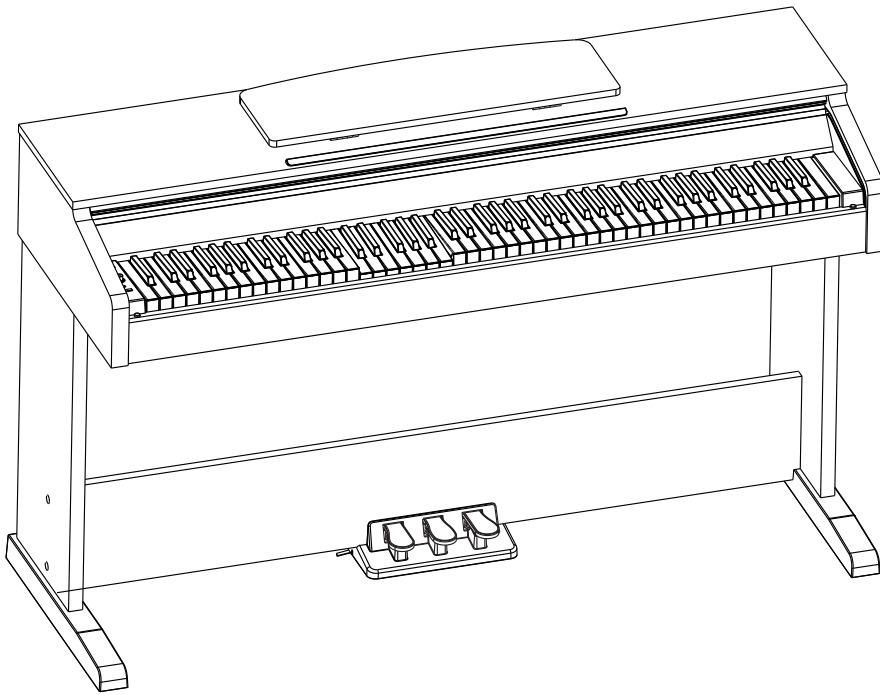


# **DIGITAL PIANO DP250**

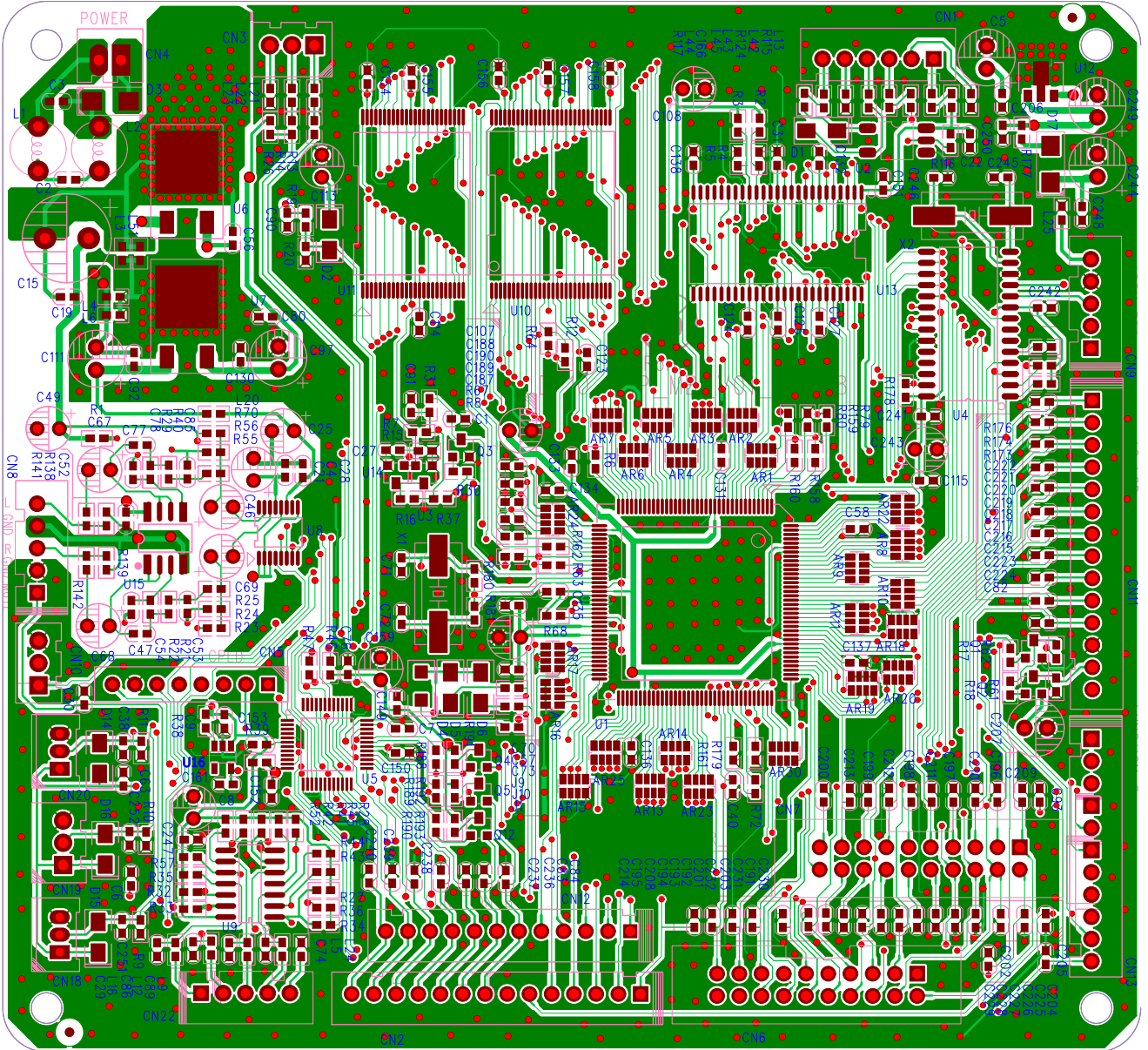


## **SERVICE MANUAL**

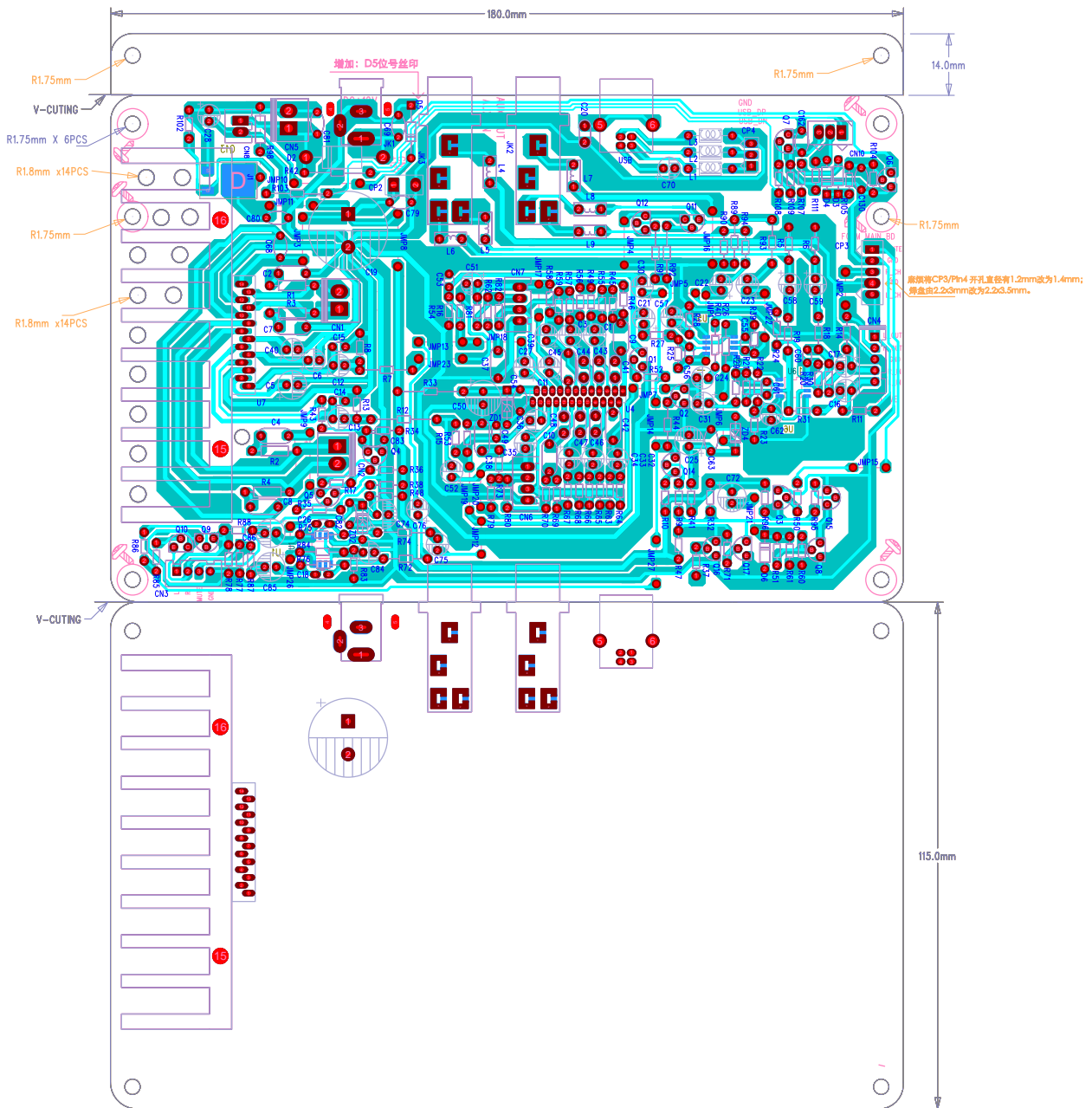


# PCB Boards

## Main Board



## Amplifier Board



Function Board

