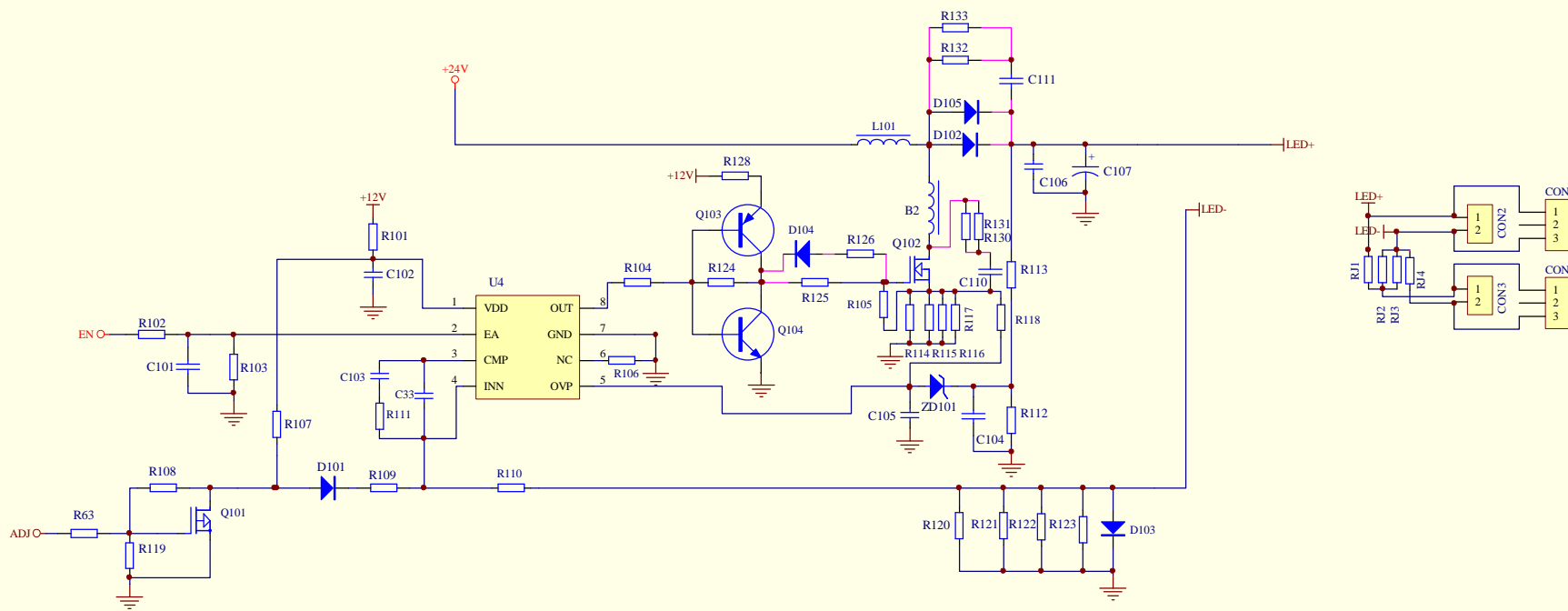


AC90V-264V

Title		
Size	Number	Revision
B		
Date:	8-Mar-2013	Sheet of
File:	E:\电路板 (CV)\CVB42001\CVB42001.DDB	Drawn By:



Title		
Size	Number	Revision
B		
Date:	8-Mar-2013	Sheet of
File:	E:\电路板 (CV)\CVB42001\CVB42001	Drawn By: