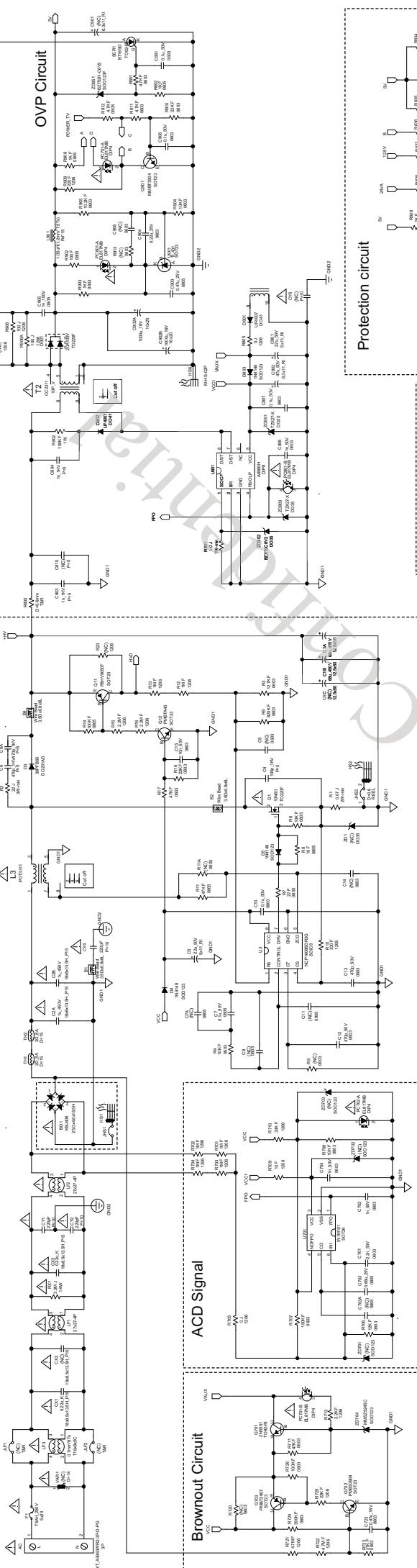


AC 220V~240V

EMI Filter Circuit

PFC circuit

5V Standby Converter



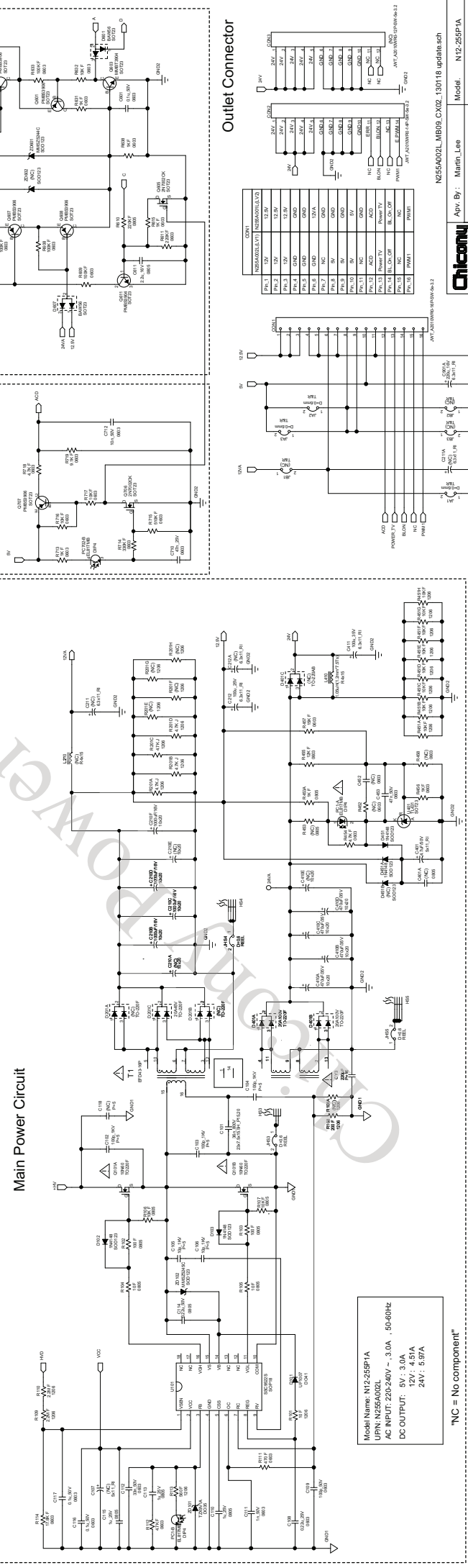
Brownout Circuit

ACD Signal

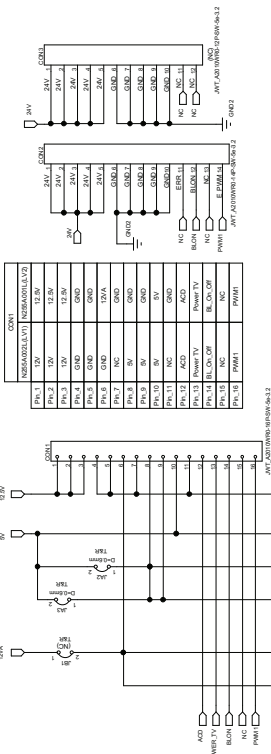
Protection circuit

ACD Signal

Main Power Circuit



Outlet Connector



Model Name: N12-255P1A
 UPN: N255A002L
 AC INPUT: 220-240V ~ 3.0A 50-60Hz
 DC OUTPUT: 5V : 3.0A
 12V : 4.51A
 24V : 5.97A

"NC = No component"

Model:	N12-255P1A
UPN:	N255A002L
Customer:	Unihon
Draw By:	Jason Tsai
Rev:	X02
Date:	2013.01.18
Size:	D

Apv. By: Martin Leo
 CHA By: Kevin Lu
 N255A002L MB09 C.X02 130118 update.sch

Copyright © 2013 Unihon Technology Co., Ltd. All rights reserved.
 This document is the property of Unihon Power. No part of it may be reproduced without the written permission of Unihon Power.