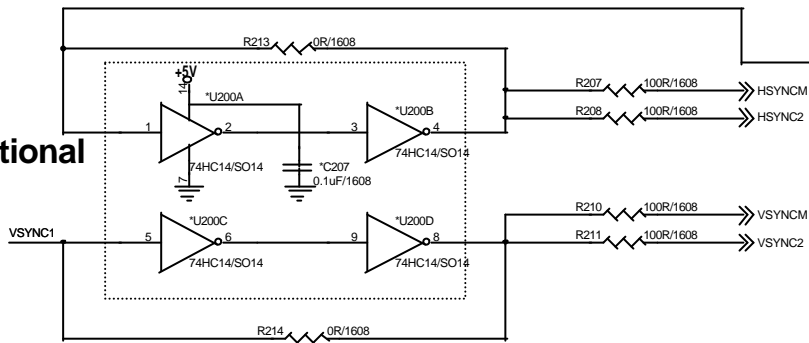


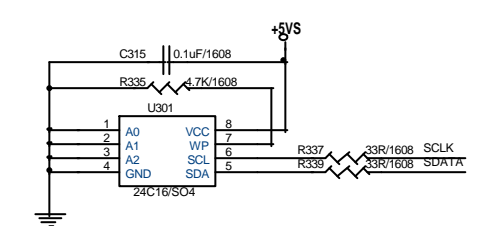
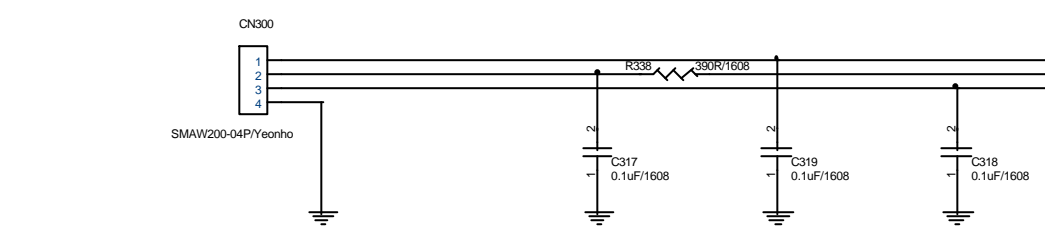
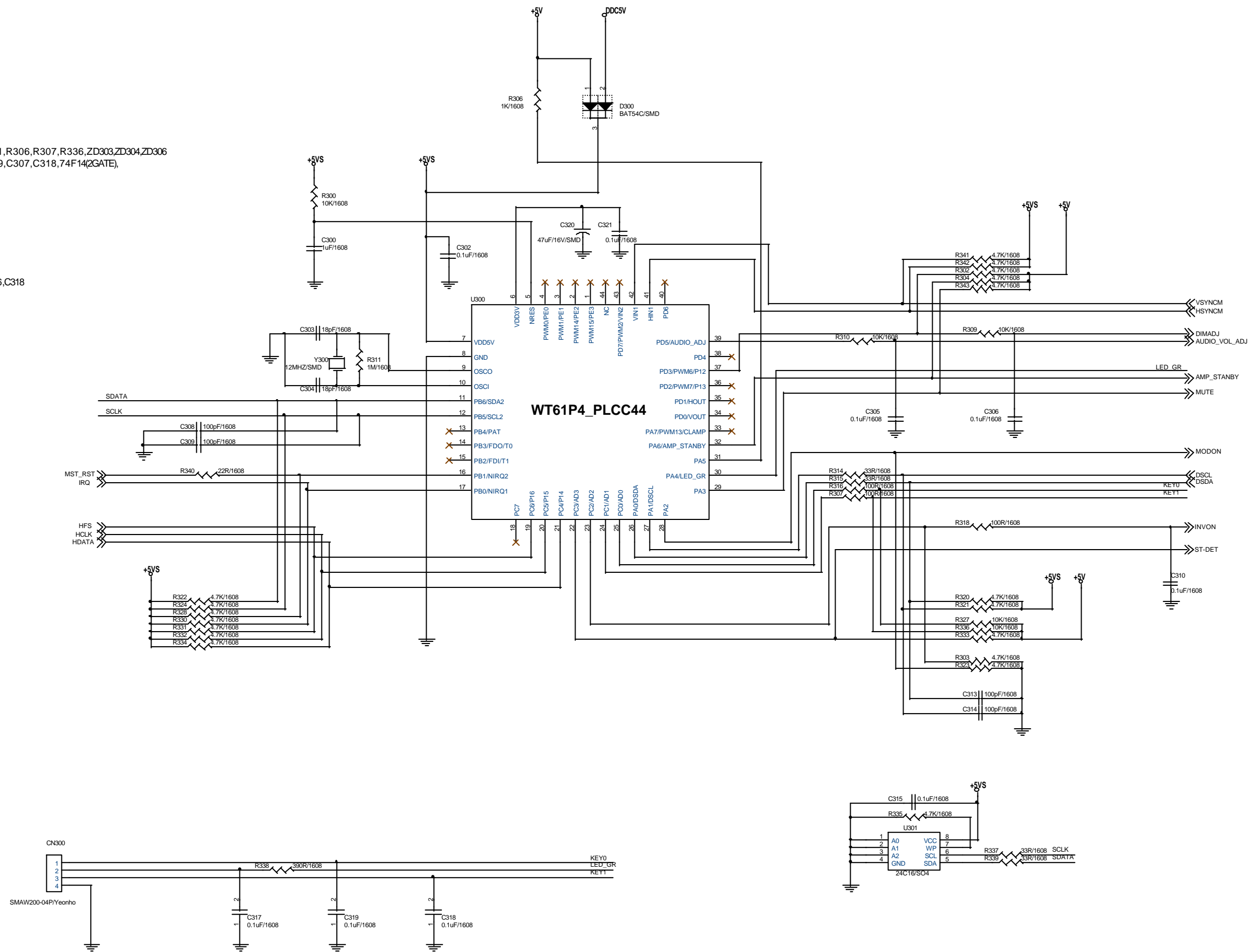
Optional

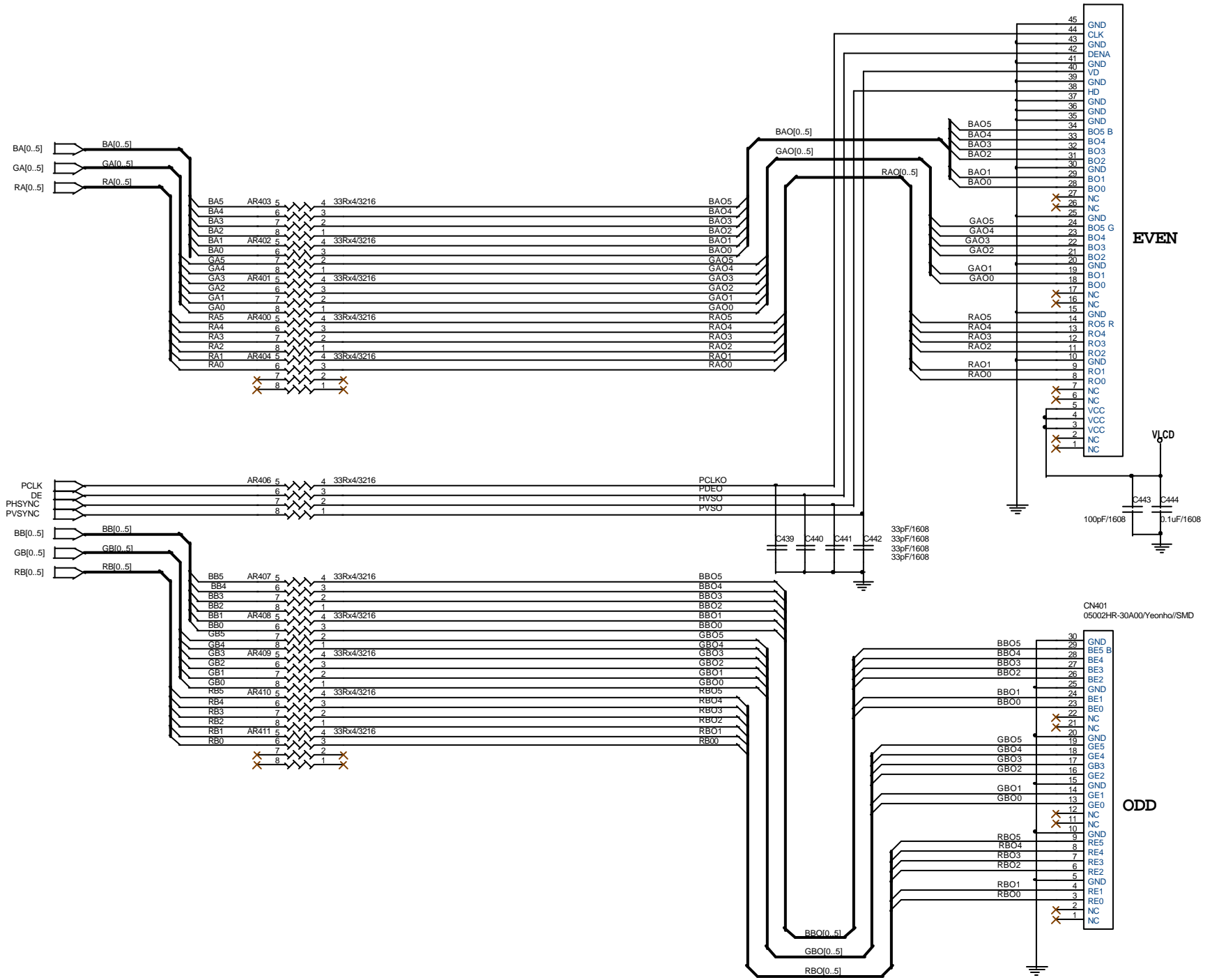


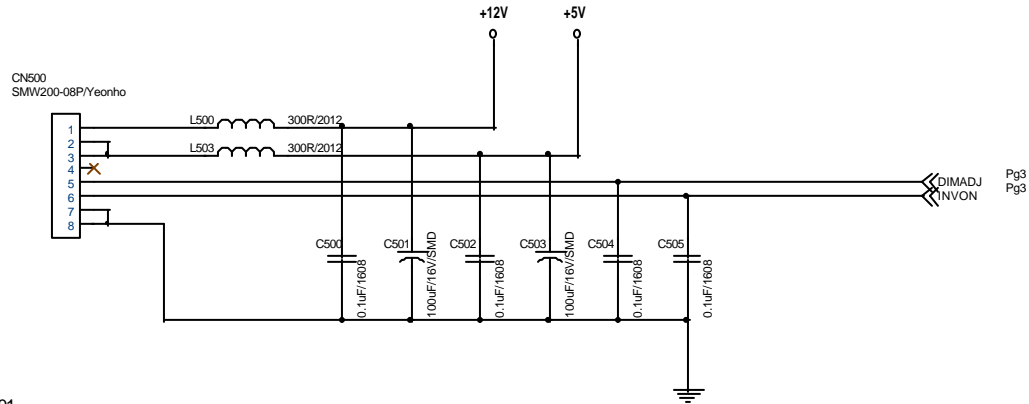
DELETE Ref.
 10/28: C301,D301,R306,R307,R336,ZD303,ZD304,ZD306
 R313,R319,C307,C318,74F14(2GATE),
 11/02: R312

ADD Ref.
 10/28: R341,R342
 11/12: R343

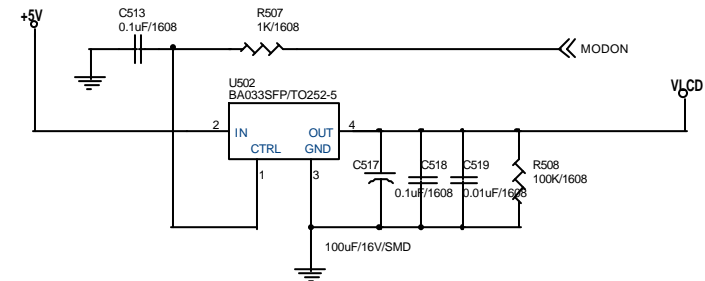
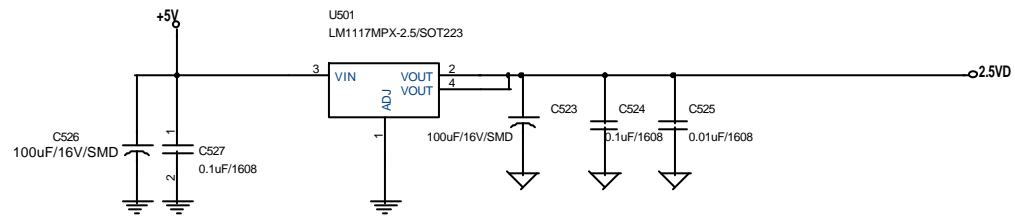
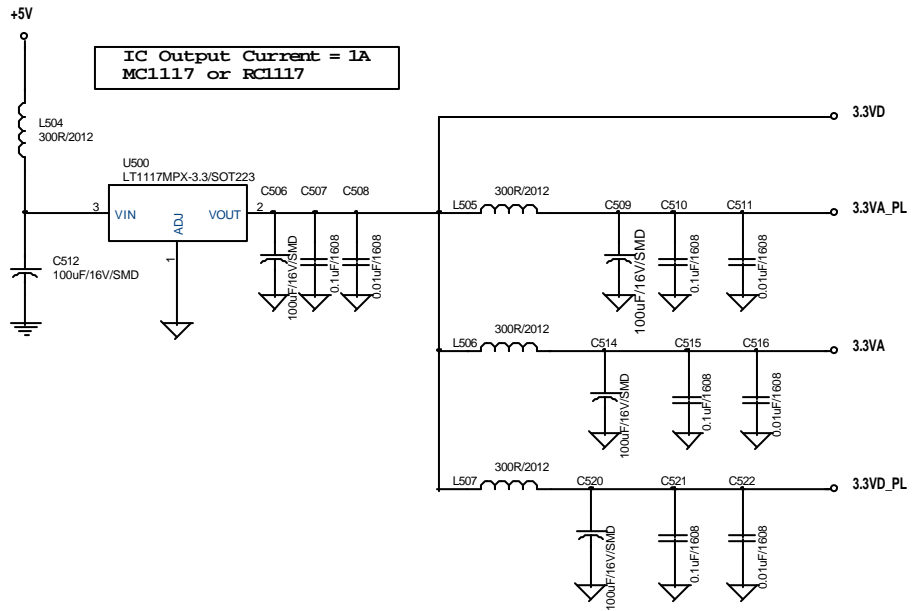
USE Ref.
 11/06: R306
 11/09: D301
 11/22: R307,R336,C318





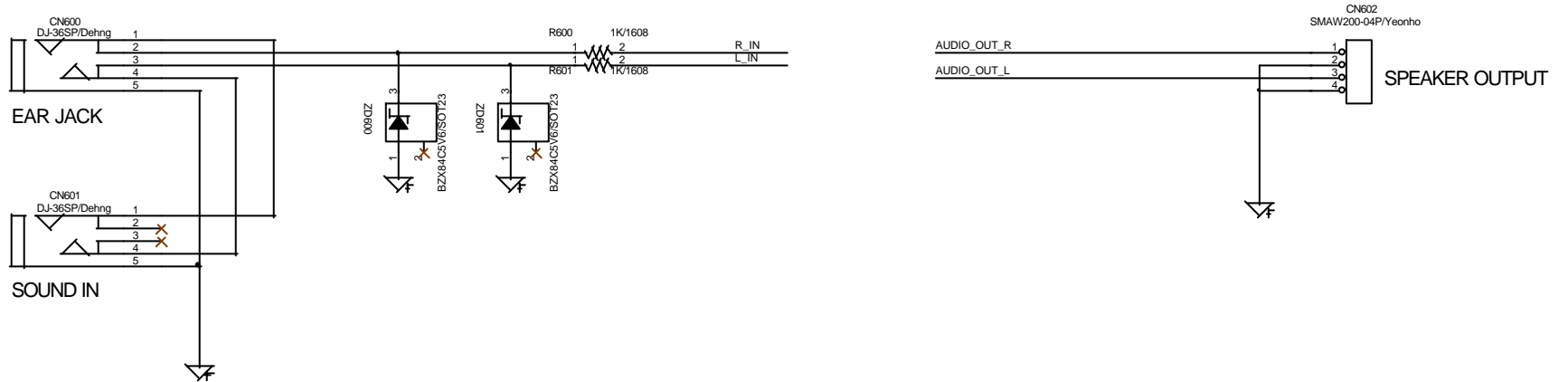
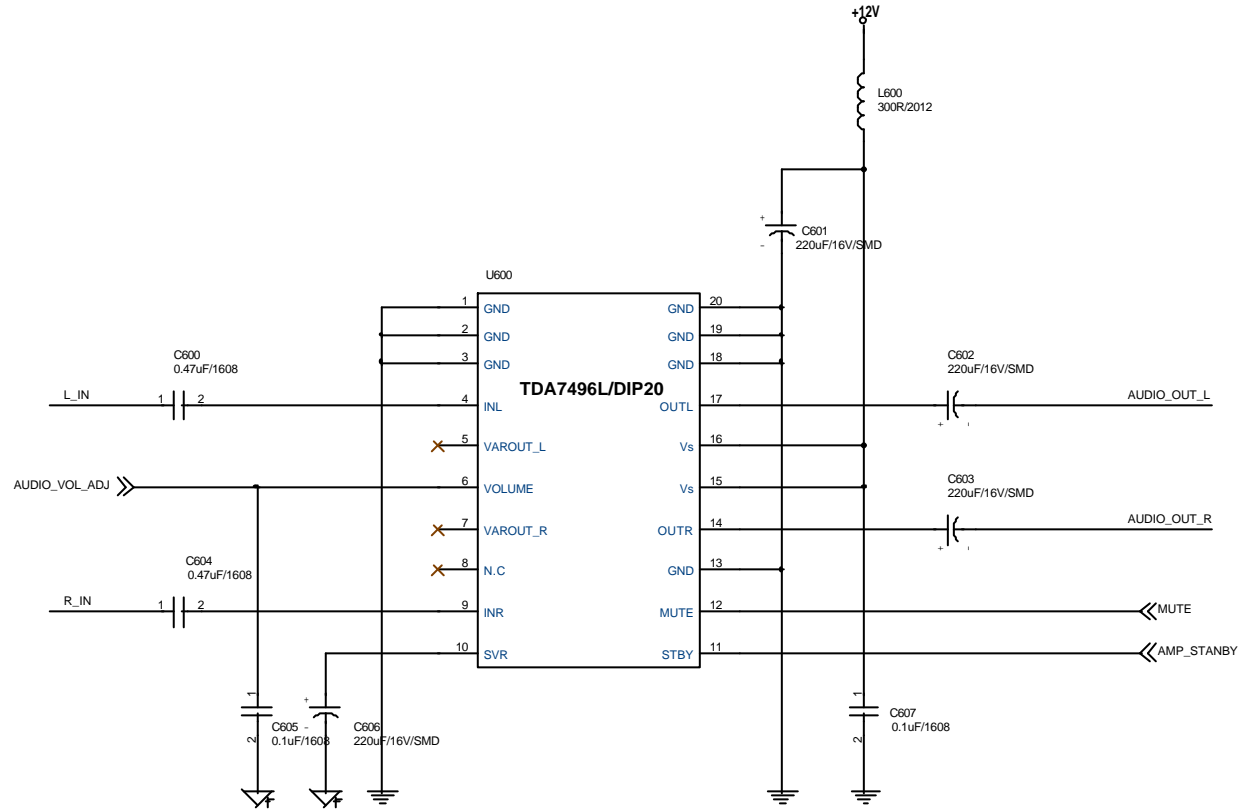


DELETE Ref.
10/28: L502,R503,R504
11/04: R500,R502
11/06:
Q500,Q501,R501,R505,R506,L501



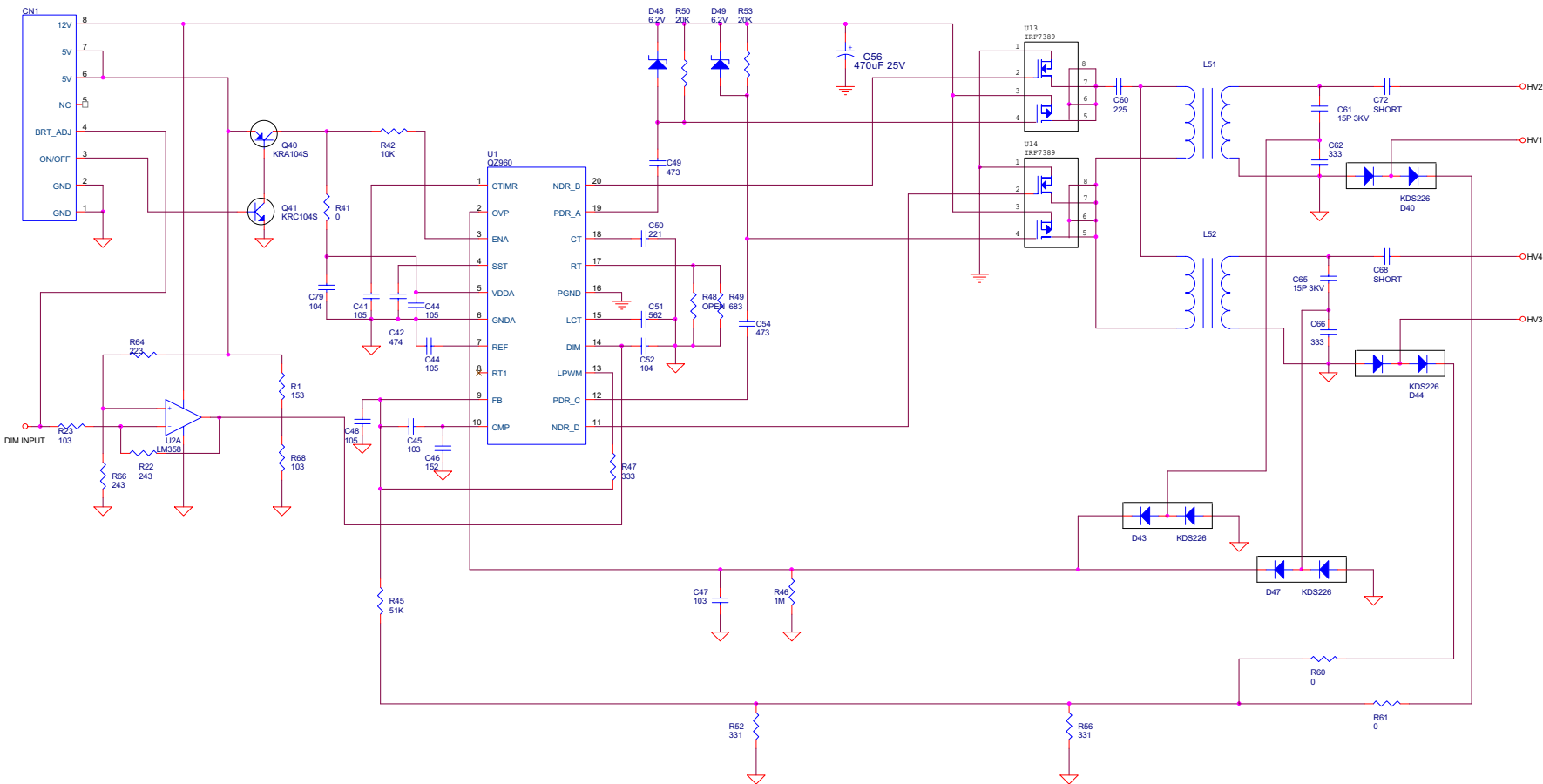
DELETE Ref.
 10/29: CN603
 11/21: R602,R603
 11/22: C608,C609

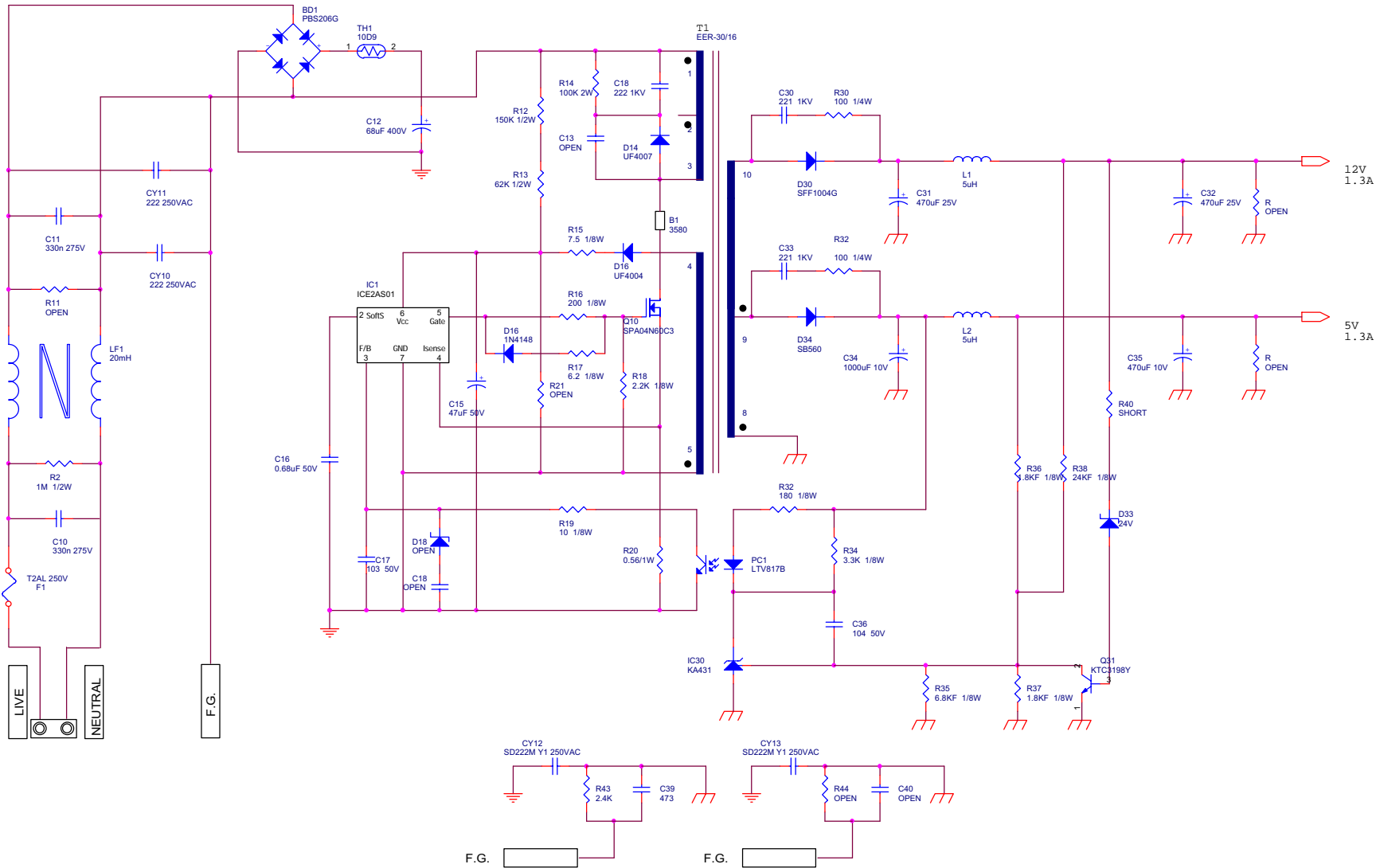
ADD ReF.
 10/28:
 ZD600,ZD601,R600,R601

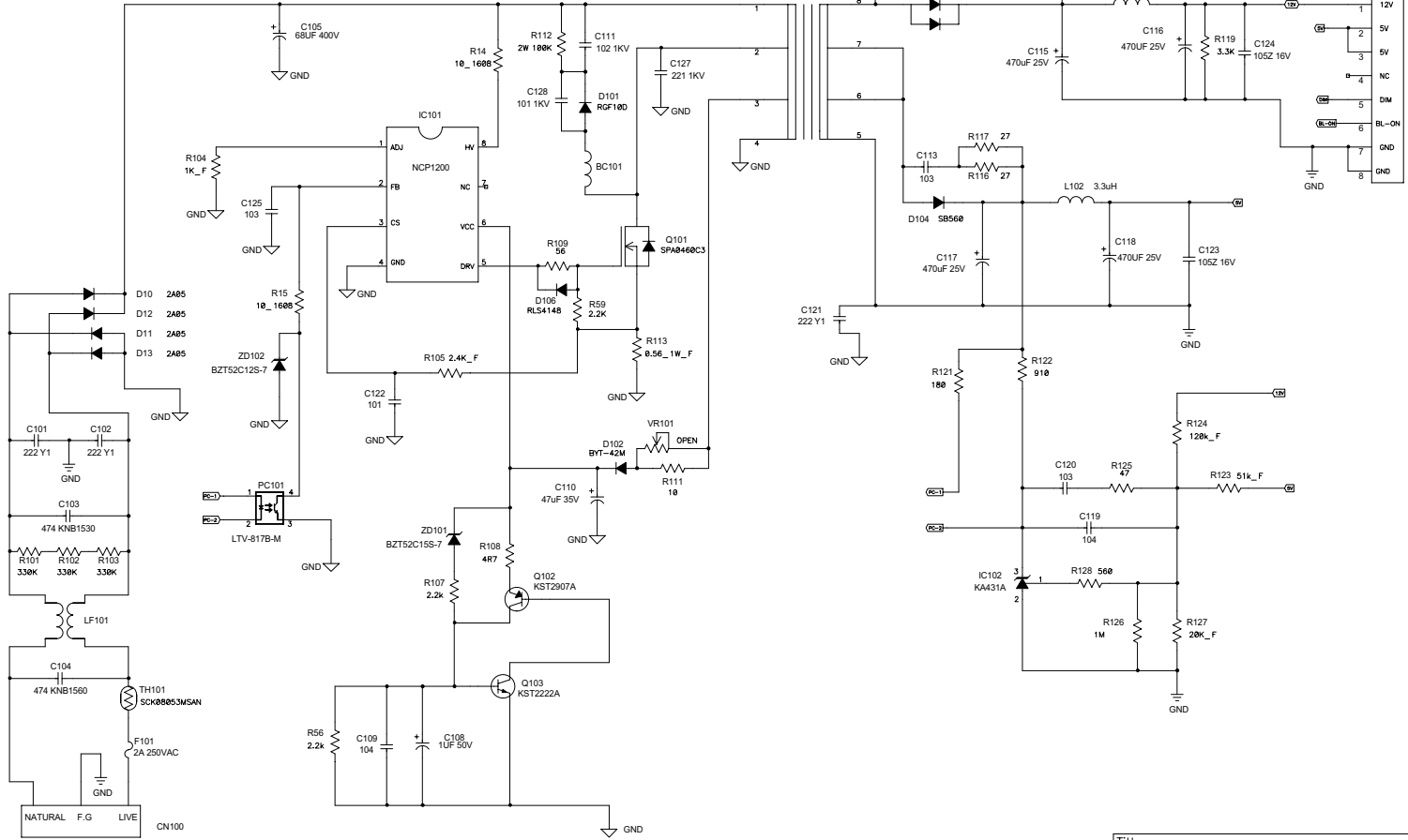


- * ON/OFF : ON(5VDC) OFF(OV)
- * Vin : 11.4-12.0Vdc
- * B/CONT : 4.5-0VMax

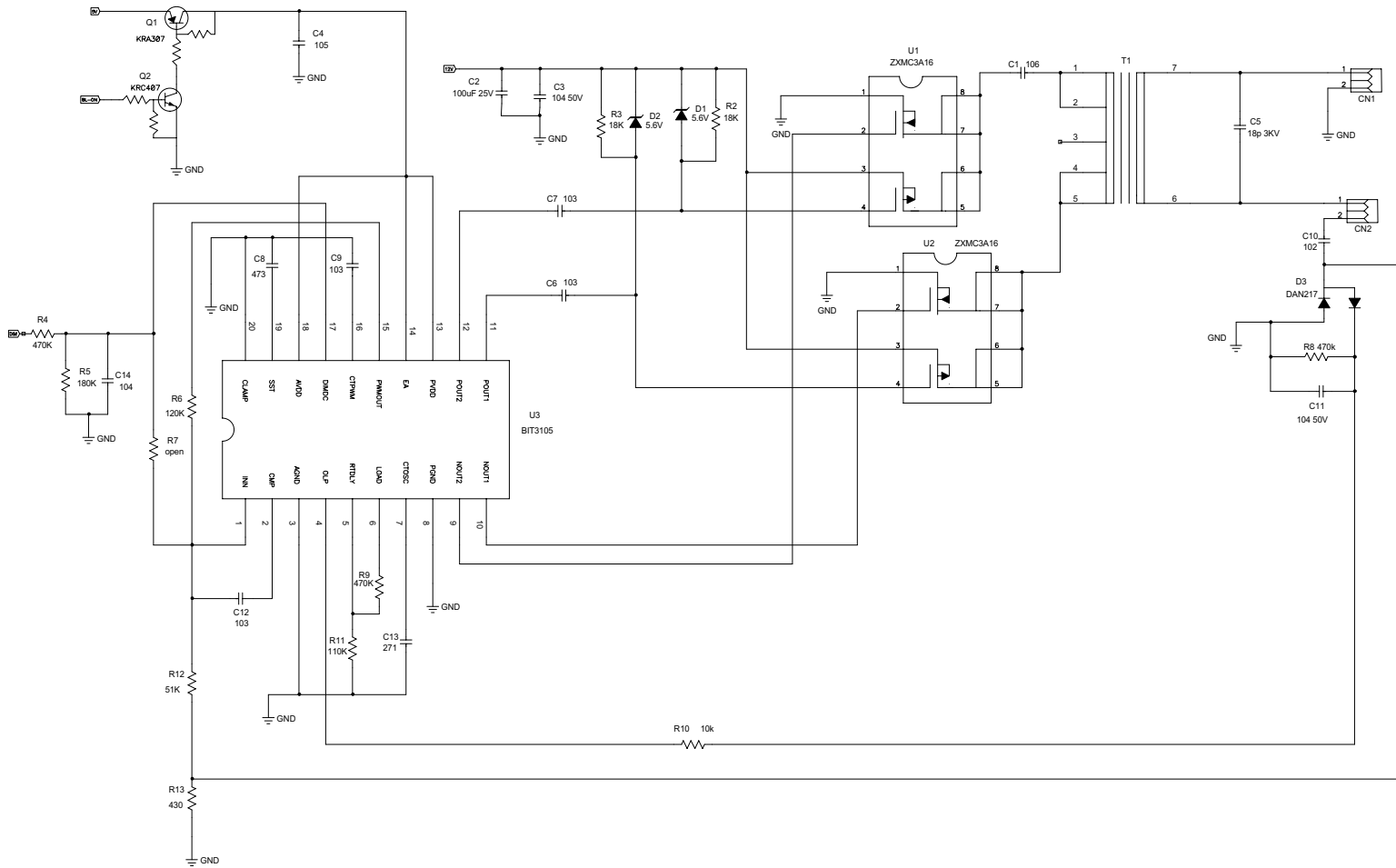
20030114







Title			FLF1521-01A FOR HASOL		
Size	Number				Rev
A2					0
Date	02.12.19		Drawn by		j.k.choi
Filename			Sheet		of



Title			FLF1521-01A FOR HASOL		
Size	Number			Rev	
A2				0	
Date	2002.12.19		Drawn by	J.K.CHOI	
Filename			Sheet	of	