

WARNING:

Before servicing this chassis, read the X-RAY RADIATION PRECAUTION & PRODUCTS SAFETY NOTICE of this manual.

CAUTION:

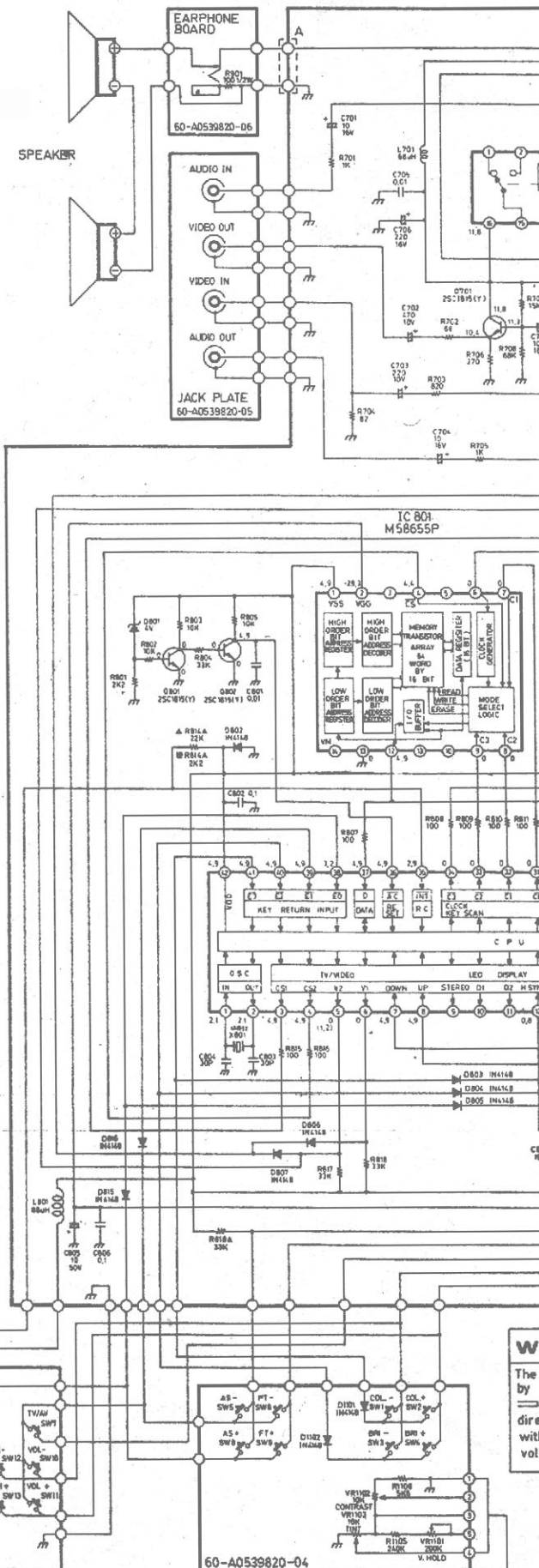
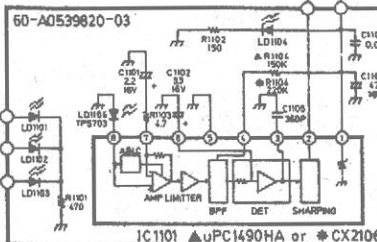
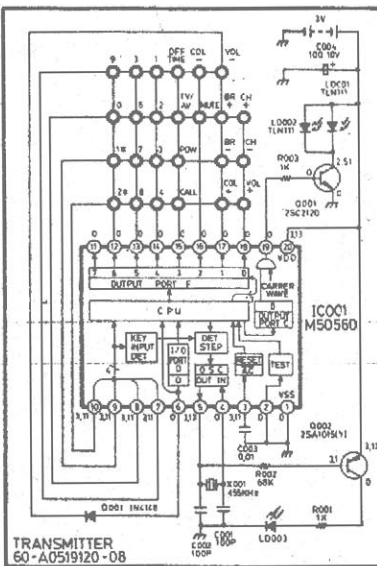
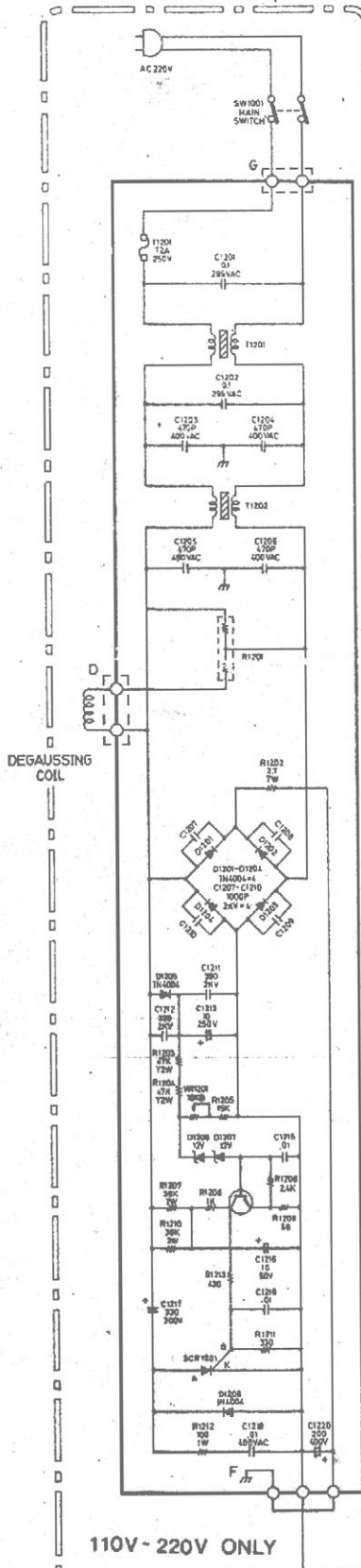
The shaded areas in the schematic diagram and the parts list designate components which have special characteristics important for safety and should be replaced only with types identical to those in the original circuit or specified in the parts list. Before replacing any of these components, read carefully the PRODUCT SAFETY NOTICE of the manual. Do not degrade the safety of the receiver through improper servicing

NOTE:

- 1 Voltages are measured with DVM from point indicated to chassis ground, using color bar signal with all controls at normal position.
- 2 Waveforms are measured with synchroscope, from point indicated to chassis ground, using color bar signal with all controls at normal position.
- 3 All resistors are 1/4w ±5% carbon film resistor unless otherwise listed. Resistance unit is in ohm M=1,000,000 K=1,000.
- 4 All capacitors are 50wv ceramic capacitor unless otherwise listed. Capacitance unit is in MFD, unless otherwise listed.

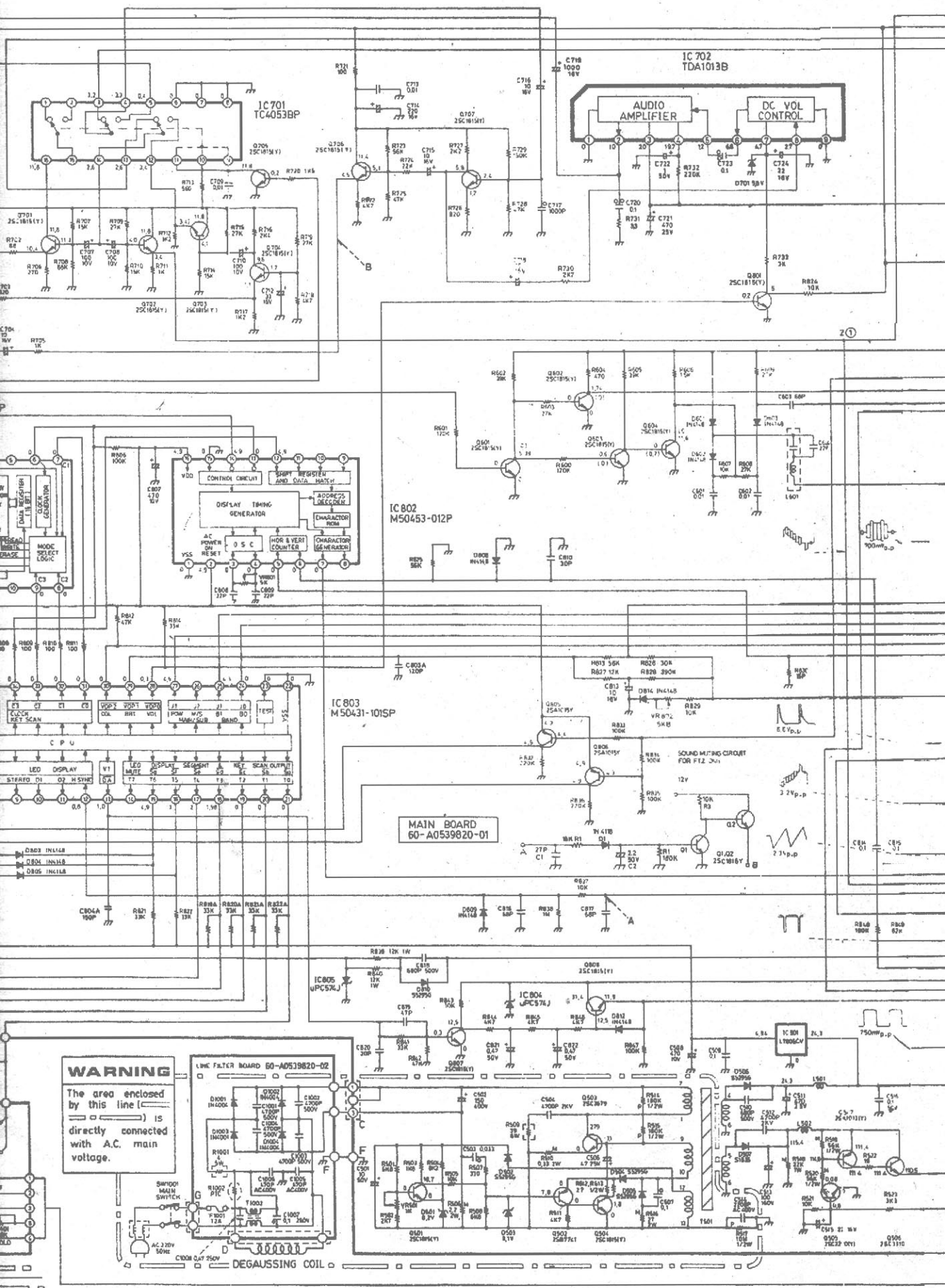
RESISTOR TYPES	SYMBOL
CARBON FILM	—W—
CARBON COMPOSITION	—M—
METAL OXIDE ± 5%	—H—
METAL OXIDE ± 2%	—G—
FUSIBLE	—F—
NON INFLAMMABLE	—C—
PTC THERMISTOR	—T—
VARIABLE	—V—

CAPACITOR TYPES	SYMBOL
CERAMIC	—C—
TANTALUM	—T—
POLYESTER FILM	—P—
POLYPROPYLENE FILM	—PP—
METAL POLYESTER FILM	—MP—
POLY POLYESTER FILM	—PP—
ELECTROLYTIC	—E—
TRIMMER	—K—



110V-220V ONLY

The by dire with vol



WARNING
 The area enclosed by this line () is directly connected with A.C. main voltage.

LINE FILTER BOARD 60-A0539820-02

MAIN BOARD 60-A0539820-01

IC 702
TDA1013B

IC 802
M50453-012P

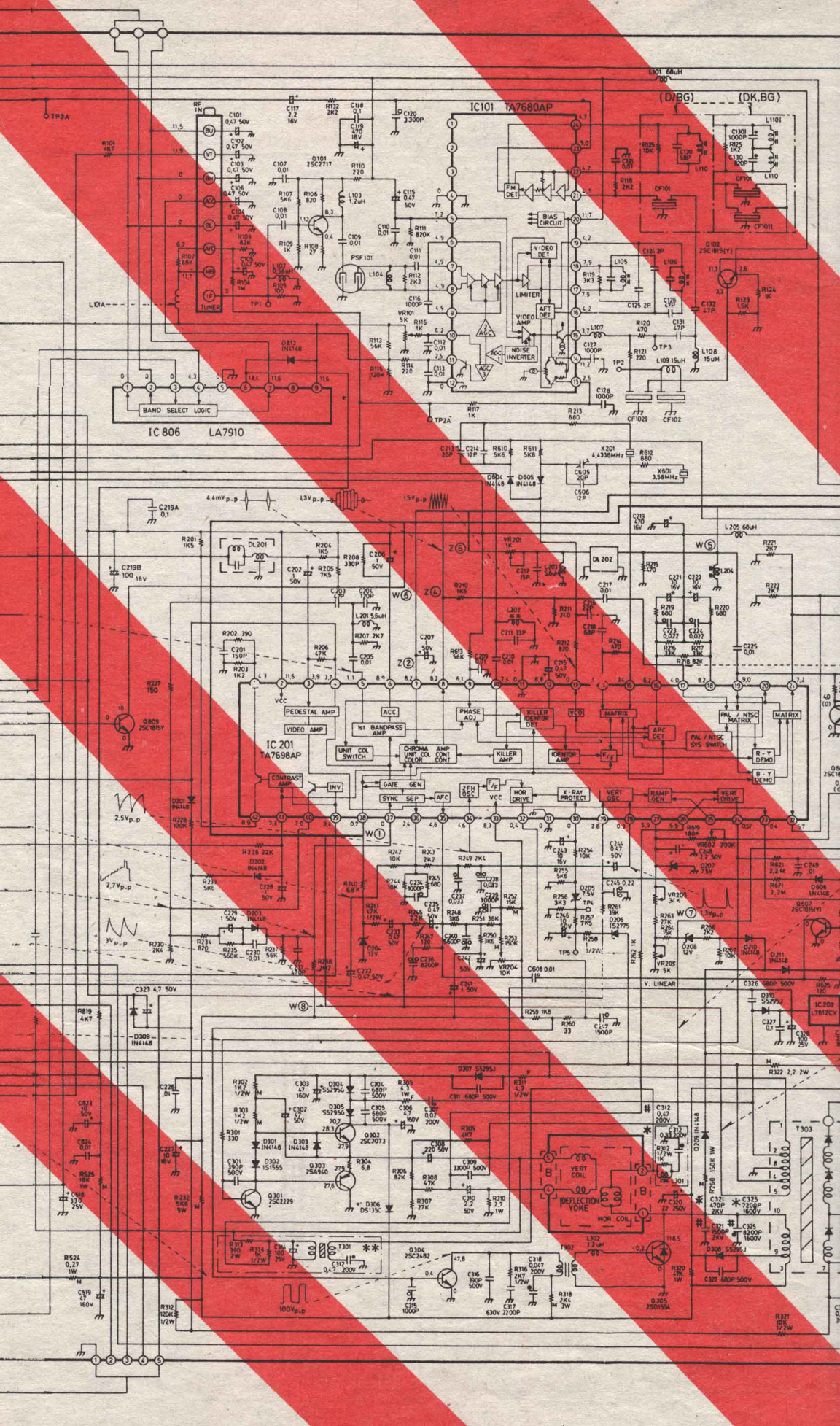
IC 803
M50431-101SP

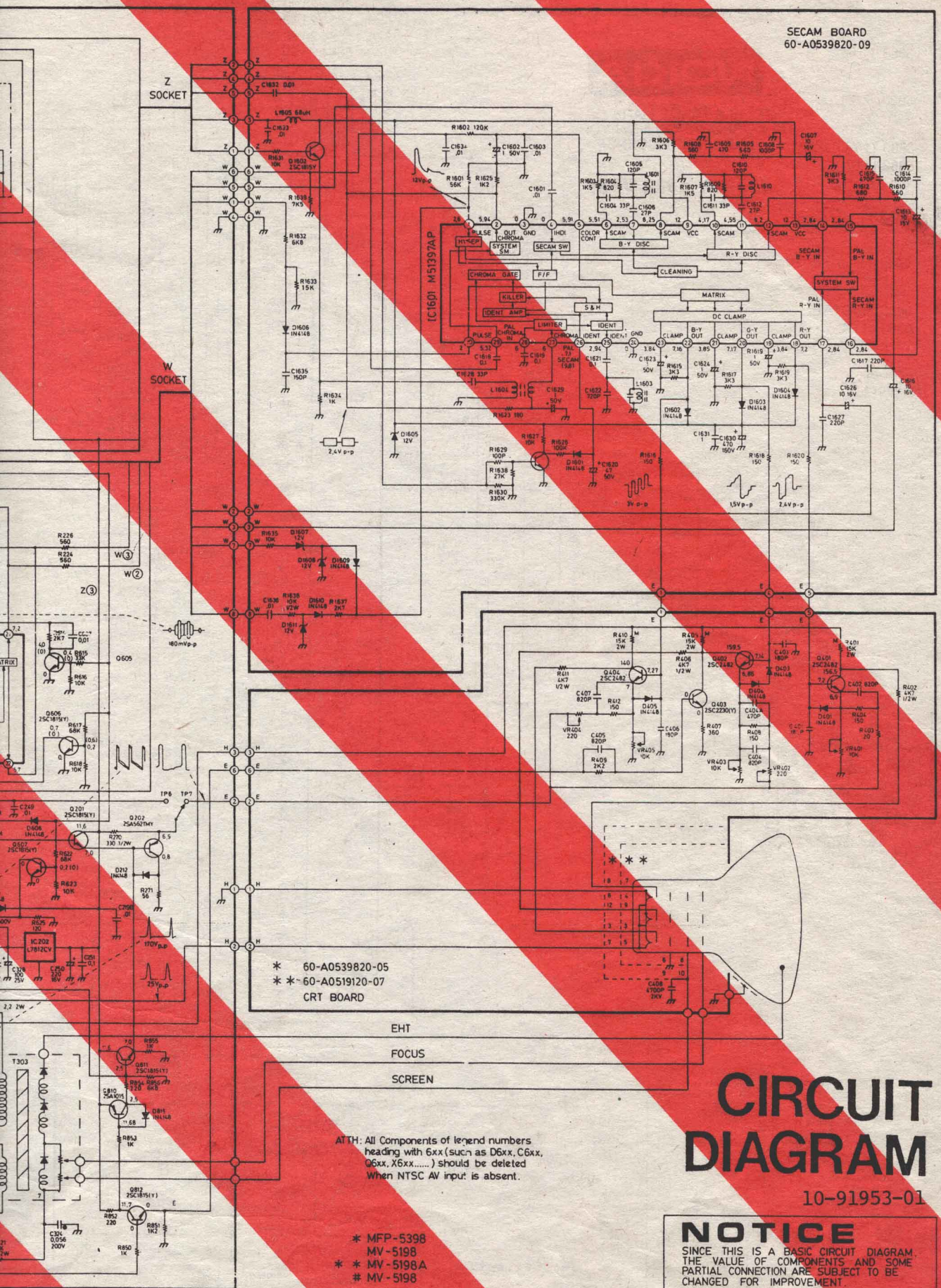
IC 805
UPC57L

IC 804
PC57L

IC 801
L7806CV

DEGAUSSING COIL





* 60-A0539820-05
 ** 60-A0519120-07
 CRT BOARD

ATTN: All Components of legend numbers heading with 6xx (such as D6xx, C6xx, O6xx, X6xx.....) should be deleted When NTSC AV input is absent.

- * MFP-5398
- MV-5198
- * MV-5198A
- # MV-5198

CIRCUIT DIAGRAM

10-91953-01

NOTICE
 SINCE THIS IS A BASIC CIRCUIT DIAGRAM, THE VALUE OF COMPONENTS AND SOME PARTIAL CONNECTION ARE SUBJECT TO BE CHANGED FOR IMPROVEMENT.