



**WHIRLPOOL AUSTRALASIA
CONSUMER SERVICES**

SERVICE MANUAL

Dishwasher
Model 6ADP951WH
Version 8542 951 53010

CONTENTS

	Page
TECHNICAL DATA	3 - 4
SPARE PARTS LIST	5 - 7
EXPLODED VIEW - CABINET	8
EXPLODED VIEW - DOOR AND CONTROL PANEL	9
PROGRAM CHART	10
CIRCUIT DIAGRAM	11
CHILDPROOF SAFETY LOCK	12
PROGRAM SEQUENCE AND INDICATION	12
PROCEDURE FOR DIAGNOSTIC SERVICE TEST PROGRAM	12 - 14
PASSIVE TEST PROGRAM	13
ACTIVE TEST PROGRAM	14
FAULT DIAGNOSIS	15 - 16
CONTROL BOARD TEST POINTS	16 - 17

Technical Data**Dimensions**

Height	85.0	cm
Width	59.7	cm
Depth	60.0	cm
Mass	56.7	kg

Decor Plate

Thickness (Max)	4	mm
Width	584	mm
Height	595	mm
Mass (Max)	1.8	kg

Specification (Normal Program)

Capacity	12	Plc Set
Water Consumption	20	litres
Energy Consumption	1.65	kWh
Program Time	~100	Min
Noise Level	52	dBA
Detergent	25	ml
Hot Connection	60	°C max

Alarms

Rinse aid refill

Program Indication

Start indicator
Pre rinse/Pre wash
Main wash
Drying
End

Electrical Data

Base Data		
Voltage	230 - 240	V
Frequency	50	Hz
Total power	2.3	kW
Fuse	10	A

Motors**Spray Pump Motor**

Voltage	230 - 240	V
Power consumption.	~190	W
HI (in series with cap)	69	Ω
HA	36.2	Ω
Capacitor	4	μF

Drain Pump Motor

Voltage	230 - 240	V
Resistance	146	Ω

Water Pressure

Inlet pressure, min.	30	kPa
max.	1400	kPa
Spray pump pressure	40	kPa

Flow rates / Inlet volume

Flow meter calibration (at 30 kPa pressure and 1.1 litres per min)	208 Impulses/litre
Spray pump	~70 l/min
Drain pump	16 l/min
Pump height, max.	1.3 m
Inlet valve	4.5 l/min
Valve for sieve	8 l/min
Spray arm lower	33 l/min
Spray arm upper	30 l/min
Ceiling rotor	8 l/min

Water Distribution

Fine sieve	100	%
Self cleaning micro filter	~32	%

Heating

Voltage	230 - 240	V
Power consumption	2.1	kW
Resistance	25 - 27	Ω
Heating speed	2 - 2.5	°C/min
Temperature on surface	~115	°C
Double safety element cut-out, self resetting	85	°C

Water Valves**Single Valve at Inlet Hose**

Voltage	230 - 240	V
Frequency	50 - 60	Hz
Resistance	4.0	k Ω

Valve for Sieve

Voltage	230 - 240	V
Frequency	50 - 60	Hz
Resistance	3.8	k Ω

Dispenser Coil

Voltage	230 - 240	V
Frequency	50 - 60	Hz
Resistance	1.4	k Ω

Relays**Heating Relay**

Voltage	230 - 240	V
Frequency	50 - 60	Hz
Resistance	5.0	k Ω

Reed Contact

Flow meter
Rinse aid control

NTC

15 °C	75	k Ω
20 °C	62	k Ω
30 °C	43	k Ω
40 °C	28	k Ω
50 °C	19	k Ω
60 °C	13	k Ω
70 °C	9	k Ω
80 °C	6	k Ω
85 °C	5	k Ω

Water Quantities and Levels**Measuring Water Level**

Remove the coarse sieve, place end of a ruler in the bottom of the sump to measure the depth of the water.

Water Quantities

Flush, (Three times)	1.0 l	68 mm
Pre-wash	5.0 l	125 mm
Main wash	5.0 l	125 mm
Intermediate rinse 1	4.5 l	123 mm
Intermediate rinse 2	4.5 l	123 mm
Clear rinse	4.5 l	123 mm
Safety/ overflow	8.5 l	141 mm

Detergent max.

Pre-wash	10	cm ³
Main-wash	45	cm ³
Rinse aid	125	cm ³
6 Dosage steps	1 - 6	cm ³

Operating Speeds

Spray pump motor	2800	rpm
Drain pump motor	2800	rpm
Spray arm, lower	25 - 30	rpm
Spray arm, middle	30 - 35	rpm
Spray arm, upper	55 - 60	rpm

SPARE PARTS LIST

Item	Part No	Description
003 0	4812 440 18947	Traverse
004 0	4812 440 18952	Drip tray assy
004 1	4812 401 18402	Holder
011 0	4812 505 18357	Foot short
022 0	4812 440 18951	Side panel left
022 1	4812 440 18949	Side panel right
022 2	4812 440 18953	Spacer
024 0	4812 440 18948	Panel, rear up to '96 Wk41
024 0	4812 440 19401	Panel, rear from '96 wk41
030 0	4812 310 18303	Table top, White
034 0	4812 404 78237	Spacer
034 1	4812 404 78236	Fastener
040 1	4812 417 18774	Hinge left
040 2	4812 417 18773	Hinge right
044 0	4812 492 38358	Door Spring
044 1	4812 492 38364	Push button cap spring
047 0	4812 404 48591	Door brake
047 1	4812 401 18397	Band, brake
047 2	4812 404 68023	Hook
053 0	4812 440 88107	Plinth, White
061 0	4812 466 88453	Counter weight
103 0	4812 440 18956	Door outer, White
120 0	4812 440 18961	Door, inner
120 1	4812 440 18955	Batten
130 0	4812 417 58361	Tilt lock
131 0	4812 401 18416	Hook lock
175 0	4812 310 18295	Trim, ornamental left, White
175 1	4812 310 18294	Trim, ornamental right, White
175 2	4812 310 18296	Trim, ornamental lower, White
191 0	4812 466 68534	Gasket door
192 0	4812 466 68467	Gasket, door lower
200 0	4812 418 18175	Container
241 0	4812 458 18276	Basket upper straight
241 1	4812 458 18323	Holder cups right Grey from '96 Wk31
241 1	4812 458 18324	Holder cups right White up to '96 Wk31
241 2	4812 535 78033	Bearing cupholder
241 3	4812 528 88068	Wheels, basket upper (set)
241 4	4812 458 18285	Cutlery tray, Grey from '96 Wk31
241 4	4812 458 18288	Cutlery tray, White up to '96 Wk31
241 5	4812 458 18269	Holder cutlery compartment
241 6	4812 458 18286	Holdercups left, Grey from '96 Wk31
241 6	4812 458 18287	Holder cups left, White up to '96 Wk31
241 7	4812 404 48605	Hoop
241 8	4812 466 68482	Spacer cap set
242 0	4812 458 18274	Basket lower complete
242 1	4812 528 88069	Wheel, basket lower
242 2	4812 458 18262	Plate, lower basket support
242 3	4812 458 18275	Plate, lower basket support
243 0	4812 458 18272	Basket cutlery
261 0	4819 462 38271	Rail telescope, inner
261 1	4819 404 48819	Cap rail
261 2	4812 462 78995	Cap rail ahead
263 0	4819 520 18013	Ball cage complete
263 1	4812 520 48001	Ball niro 8 D
265 0	4812 404 48599	Basket adjustment, complete
265 2	4812 404 48589	Grip basket adjustment

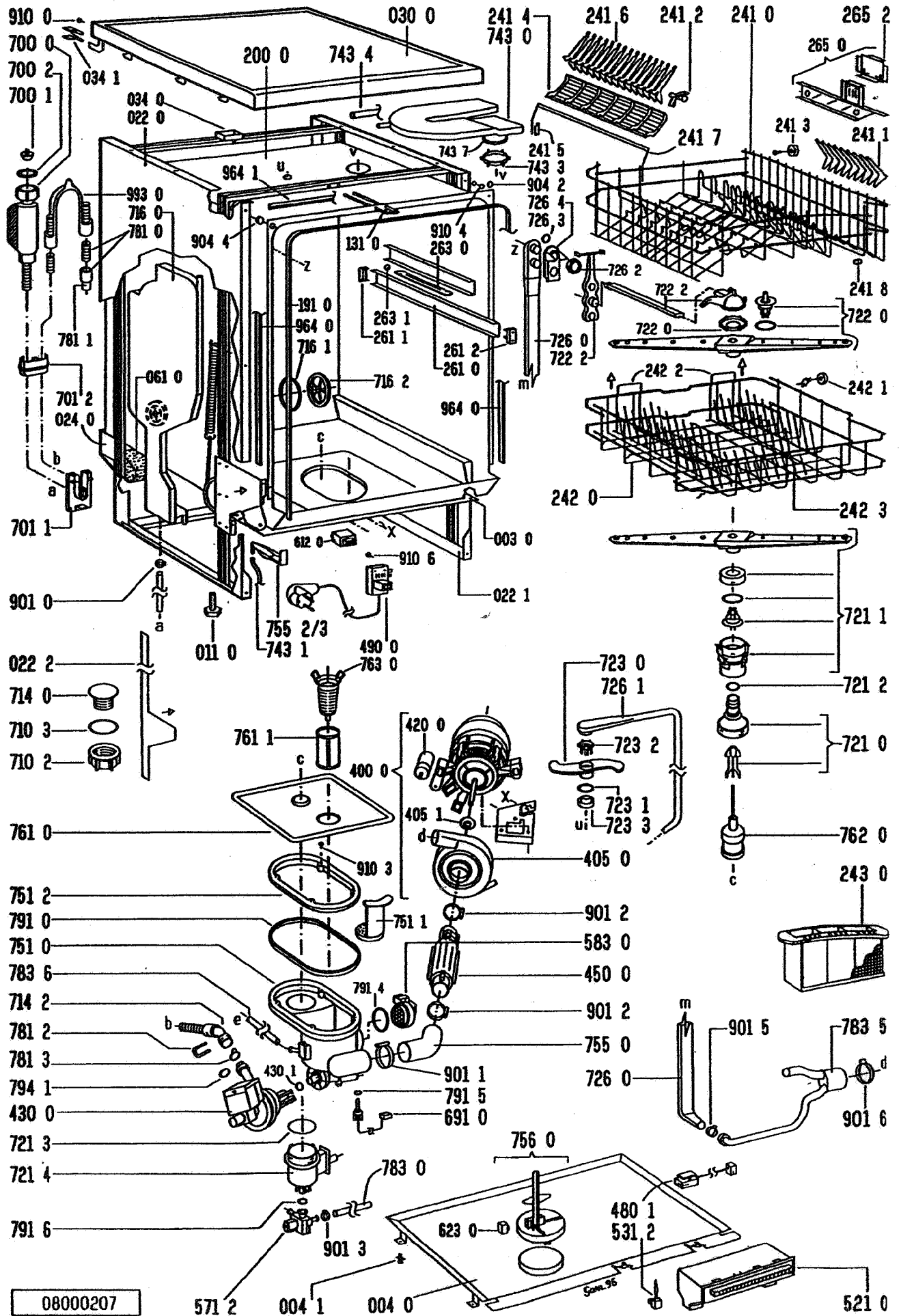
SPARE PARTS LIST (Cont.)

Item	Part No	Description
301 0	4812 453 79538	Control panel, White
303 1	4812 417 58364	Child proof lock complete, White
305 0	4812 440 18964	Batten, White
322 0	4812 453 79693	Insert panel, White
331 0	4812 413 58865	Knob program complete, White
332 0	4812 410 28528	Push button cap, White
350 0	4812 276 58037	Display board (DB)
351 1	4812 381 28021	Guide, light
400 0	4812 259 28654	Motor with spray pump complete
405 0	4812 360 18358	Spray pump
405 1	4819 515 28158	Gasket
420 0	4812 121 18132	Capacitor
430 0	4812 360 18357	Pump, draining
430 1	4812 466 68506	Ring, sealing
450 0	4812 259 28657	Heating element
480 0	4812 321 28364	Cable harness set
480 3	4812 401 18418	Cable protector
480 1	4812 321 28371	Cable, circulation pump
490 0	4812 321 18019	Cable, mains 5m (without plug)
521 0	4812 214 78149	Control board (CB) kit
531 2	4812 263 68001	Plug
571 2	4812 281 28362	Sieve valve
583 0	4812 271 28355	Switch diaphragm
612 0	4812 280 58018	Relay heating
616 1	4812 271 58161	Contact, reed rinsing agent
620 0	4812 218 38005	User board (UB)
623 0	4812 271 38356	Microswitch
633 0	4812 271 38355	Microswitch
680 0	4812 418 68133	Combidosage
680 1	4812 466 68495	Gasket
681 1	4812 466 68497	Gasket
681 2	4812 440 18975	Flap
682 0	4812 466 68496	Gasket
691 0	4812 282 68012	Feeler NTC
700 0	4812 530 28788	Hose, inlet (including water inlet valve) 2m
700 0	4812 530 28804	Hose, inlet (including water inlet valve) 4,2m
700 1	4812 480 48019	Sieve
700 2	4812 520 58002	Gasket set
701 1	4812 310 18153	Yoke clamp set
701 2	4819 401 18423	Holder
710 2	4819 310 38536	Nut threaded ring set
710 3	4819 466 69562	Gasket set
714 0	4812 462 78012	Threaded cap
714 2	4812 440 18963	Cabinet non-return flap
716 0	4812 418 68142	Reg. dosage
716 1	4812 466 68475	Gasket
716 2	4812 462 78994	Cover
721 0	4812 360 68043	Hub lower complete
721 1	4812 360 68047	Arm, spray lower complete
721 2	4812 466 68491	Gasket 25 x 2,3B
721 3	4812 466 68489	Gasket 76 x 2,5
721 4	4812 418 18176	Cabinet
722 0	4812 360 68044	Arm, spray upper
722 2	4812 360 68048	Hub upper straight complete
723 0	4812 360 68049	Arm, spray
723 1	4812 466 68483	Gasket
723 2	4812 404 48597	Clip, fix sprayarm

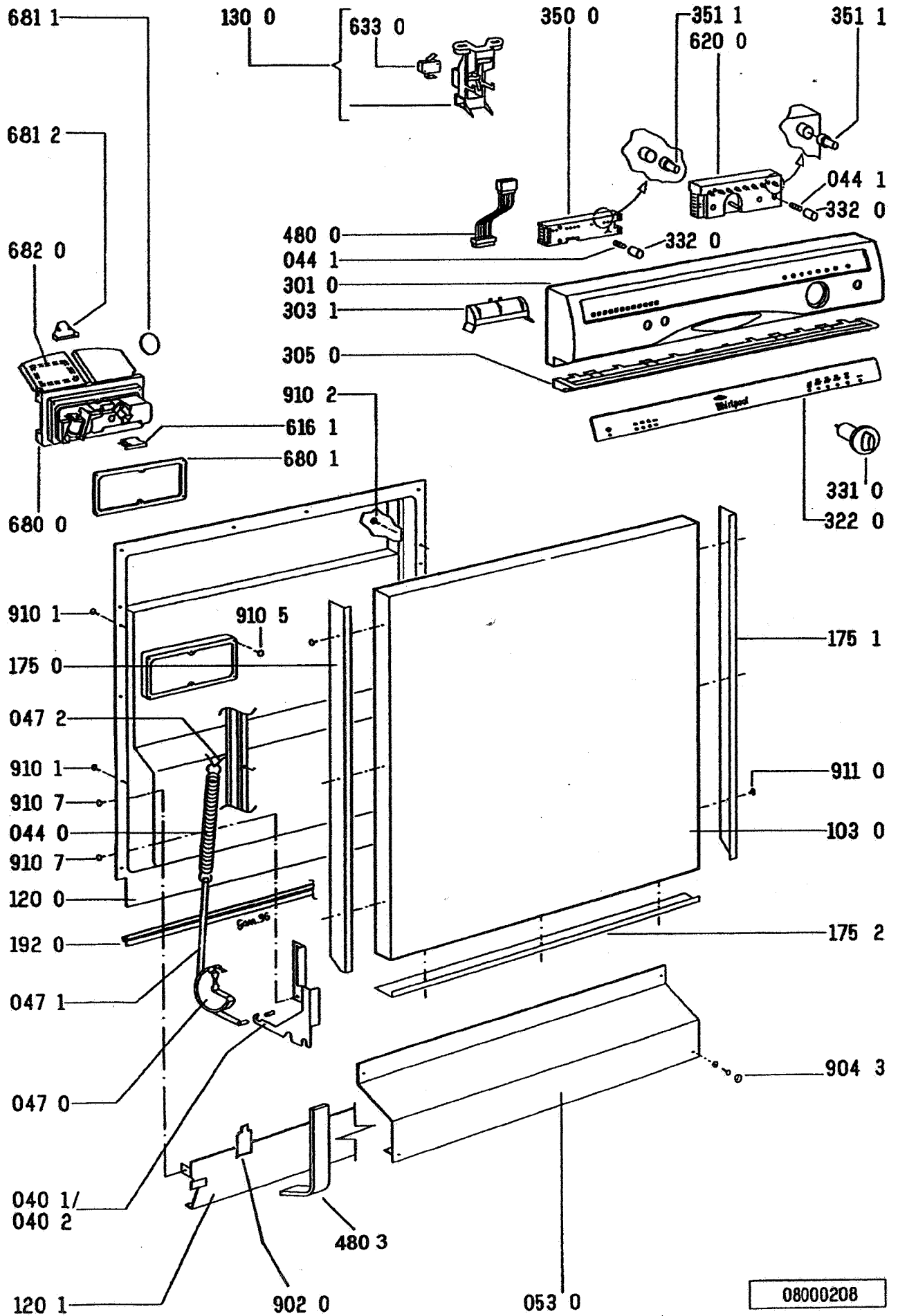
SPARE PARTS LIST (Cont.)

Item	Part No	Description
723 3	4812 505 18362	Connect, gaspipe
726 0	4812 530 28786	Tube
726 1	4812 530 28787	Tube
726 2	4812 505 18358	Nut
726 3	4812 466 68512	Gasket
726 4	4812 462 79633	Centring
743 0	4812 511 48171	Capacitor
743 1	4812 530 28102	Hose, inlet
743 3	4812 505 18364	Nut
743 4	4812 530 28807	Hose 9 x 1,5 x 270+10
743 7	4812 466 68514	Gasket
751 0	4812 418 18169	Water collector
751 1	4812 418 18171	Water guide
751 2	4812 440 18954	Fastener frame
755 0	4812 530 28785	Bend
755 2	4812 530 48136	Tray, leak left
755 3	4812 530 48137	Tray, leak right
756 0	4812 360 58099	Floater
761 0	4812 480 58061	Sieve fine
761 1	4812 480 58072	Sieve insert
762 0	4812 480 58065	Microfilter
763 0	4812 480 58057	Sieve coarse
781 0	4812 530 28737	Hose, draining
781 1	4819 530 28286	Sleeve hose
781 2	4819 492 68405	Non-return valve clip
781 3	4812 281 28364	Flap non-return
783 0	4812 530 28792	Hose 11,5 x 3 x 200
783 5	4812 530 28797	Distributor
783 6	4812 530 28824	Hose 10,3 x 3 x 245
791 0	4812 532 68067	Gasket
791 4	4812 466 68503	Gasket
791 5	4812 466 68504	Gasket
791 6	4812 466 68505	Gasket
794 1	4819 530 58032	Gasket 20 x 2,5
901 0	4812 401 18191	Hose clip 017,8
901 1	4812 401 18396	Hose clip
901 2	4812 401 18401	Hose clip
901 3	4812 401 18404	Hose clip 019,8 - 708Z
901 5	4812 401 18406	Hose clip 028,6-708Z
901 6	4812 401 18408	Hose clip 038,1-708Z
902 0	4812 401 18195	Clip
904 2	4812 462 79635	Cover, White 3,5 x 5
904 3	4812 462 79636	Cover, White 3,5 x 4
904 4	4812 462 79648	Threaded cap
910 0	4812 502 18384	Screw 4 x 35-H
910 1	4812 502 18019	Screw
910 2	4812 502 18363	Screw 4,0 x 12-H
910 3	4812 502 18364	Screw 5 x 20-TORX
910 4	4812 502 18365	Screw 3,5 x 5,5-TORX
910 5	4812 502 18367	Screw 3,5 x 8-TORX T15
910 6	4812 502 18369	Screw A2F M4 x 6
910 7	4812 502 38132	Screw DIN 965
911 0	4812 502 38134	Screw decro ST3,5 x 9,5-C-H
964 0	4812 466 68536	Gasket housing right or left
964 1	4812 466 68469	Gasket housing upper
993 0	4812 530 48017	Bow

EXPLODED VIEW - CABINET



EXPLODED VIEW - DOOR AND CONTROL PANEL



PROGRAM CHART

no program function

contact or triac closed

FM_min amount of water

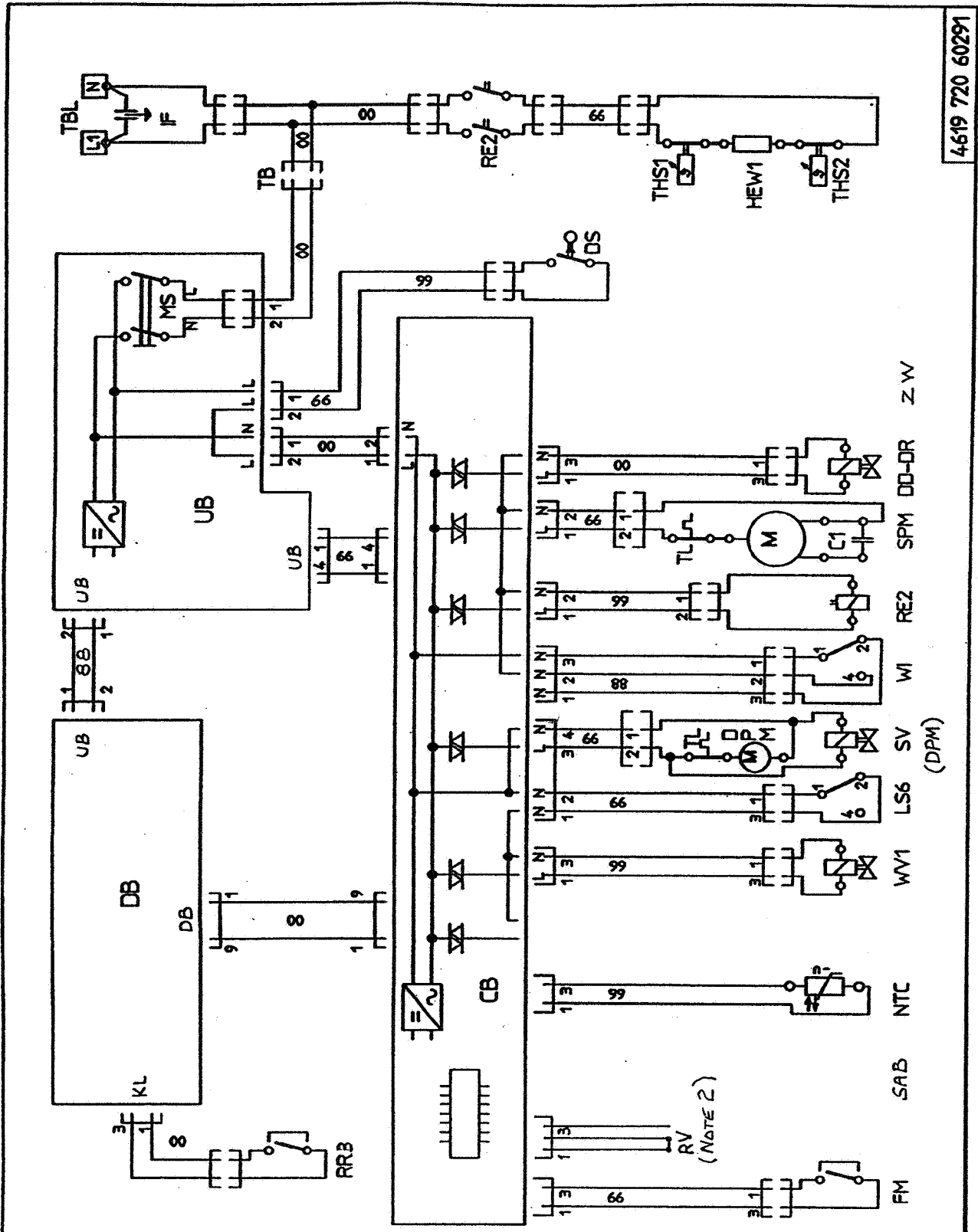
12 heating time up to temp.

13 draining time up to the water indicator is low

function of the machine	contacts										program table									
	VM	ZW	DD-DR	SPM	RE2	WI	SV	DPM	WV2	WV1	Prewash Program cold	Delicate Program 40° C	Rapid Program 50° C	BIO-ECO Program 50° C	Daily Program 65° C	Normal Program 65° C	Intensyproam 70 C	Program, Sequence LEDs		
Startposition for all Progr. draining	1																	PS1		
filling	2																			
draining	3																			
filling	4																			
draining	5																			
filling	6																			
draining	7																			
filling - rinsing	8																			
rinsing - heating	9																			
rinsing	10																			
rinsing - draining	11																			
filling - rinsing	12																			
rinsing - dos. detergent	13																			
rinsing - heating	14																			
rinsing	15																			
rinsing - heating	16																			
rinsing	17																			
rinsing - draining	18																			
filling - rinsing	19																			
rinsing	20																			
rinsing - draining	21																			
filling - rinsing	22																			
rinsing	23																			
rinsing - draining	24																			
filling - rinsing	25																			
rinsing - heating	26																			
rinsing - dos. rinse aid	27																			
rinsing	28																			
rinsing - dos. rinse aid	29																			
rinsing - heating	30																			
rinsing	31																			
draining	32																			
drying - without Fan	33																			
drying - regenerating	34																			
drying - regenerating - draining	35																			
drying - regenerating	36																			
drying - regenerating - filling	37																			
drying - regenerating	38																			
drying - regenerating - filling	39																			
drying - draining	40																			
drying	41																			
drying - draining	42																			
End	43																			

function of the machine	contacts										LEDs				
	VM	ZW	DD-DR	SPM	RE2	WI	SV	DPM	WV2	WV1	PS1	PS2	PS3	PS4	ZW
draining	1														
filling	2														
draining	3														
filling	4														
draining	5														
filling	6														
draining	7														
filling - rinsing	8														
pause - dos. detergent	9														
rinsing - heating	10														
regenerating	11														
regenerating - draining	12														
drying-regenerating-draining	13														
End	14														

CIRCUIT DIAGRAM



4619 720 60291

- Legend**
- C1 Capacitor
 - CB Control Board
 - DB Detergent Dispenser
 - DPM Drain Pump Motor
 - DD Detergent Dispenser
 - DR Rinse Aid Dispenser
 - DS Door Switch
 - HEW Heating Element
 - IF Electrical Interference Filter
 - LS6 Water Leakage Switch
 - L Line
 - MS Main Switch
 - NTC Water Temperature Sensor
 - N Neutral
 - RV Water Hardness Switch - Note 2
 - RE2 Heating Relay
 - RR3 Rinse Aid Sensor
 - SAB Spray Arm Sensor
 - SV Sieve Valve
 - SPM Spray Pump Motor
 - THS Element Thermal Cutout
 - TB Harness Plug
 - TL Motor Thermal Cutout
 - UB User Board
 - WV1 Water Inlet Valve
 - WI Water Indicator (Pressure Switch) -Note 3
 - ZW Zone Wash
- Wire Colors:**
- 00 Black
 - 66 Blue
 - 88 Grey
 - 99 White

Notes:

1. One solenoid performs both functions via a sequential mechanical interlock
2. Not used. Wiring to Control Board as shown in the circuit diagram
3. Not used

Childproof Safety Lock

The childproof safety lock prevents children from gaining purchase on the door handle thus preventing easy access to the dishwasher. Note that the door is not "locked" shut and can still be opened by pulling the door from the sides.

The machine is delivered with the safety lock DISENGAGED (screw slot in handle hollow is vertical).

To engage the safety lock, turn the screw slot anticlockwise until the slot is horizontal. To open the door, slide the handle to the right and press upwards.

To disengage the safety lock, slide the catch to the right and press upwards and at the same time turn the screw clockwise until the slot is vertical.,

Program Sequence and Indication

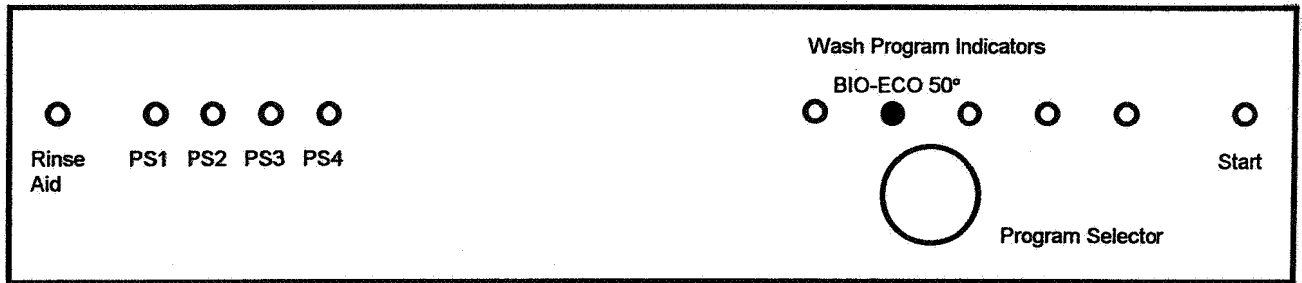
LED No. 1 (PS1)	Flushing Pre-wash
LED No.2 (PS2)	Main wash Intermediate rinse Final rinse
LED No. 3 (PS3)	Drying (Passive)
LED No. 4 (PS4) End	Extinguishes if any button is pressed - or Extinguishes after 30 minutes

Procedure for Diagnostic Service Test Program

1. Start the test program. (See Page 13)
If there is a defective component indicated, open the plinth and take out the control board.
2. Check the component.
Unplug the indicated component from the control board and check with a multi-meter. If resistance is comparable with the data sheet check cabling and connections and examine component.
3. Check control board.
4. If the dishwasher appears totally dead, perform test point tests. (See Page 16)
5. After completion of any repair, run the test program again to confirm repairs have been effective.

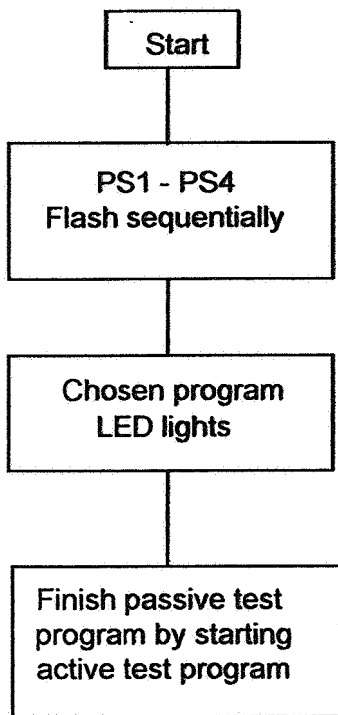
NOTE : Indicated failures F1 : NTC failure
F2 : Water leakage
F9 : Continuous water inlet

will cause the diagnostic program to terminate, so these failures must be repaired before it is possible to continue with the test.



Failure	Failure No.	Indication	Test Program Indication
NTC failure	F1	Start LED flashes	PS1 LED Flashes
Water leakage	F2	Start LED flashes	PS2 LED Flashes
Heating system	F3	Start LED flashes	PS3 LED Flashes
Drain system	F4	Start LED flashes	PS4 LED Flashes
Water inlet closed	F6	Start LED flashes	PS2 & PS4 LED's Flash
Flow meter	F7	Start LED flashes	PS3 & PS4 LED's Flash
Water level	F8	Start LED flashes	PS2 & PS3 LED's Flash
Continuous water fill	F9	Start LED flashes	PS1 & PS3 LED's Flash
Rinse aid		Red LED on	Red LED on

Passive Test Program



Passive test program will indicate the mode of failure. If there is no failure, the test program will result in PS1 to PS4 flashing sequentially.

Starting the Passive Test Program

1. Turn the program selector to the off ("O") position
2. Push and hold the start button while turning the program selector to "BIO-ECO 50° until the START LED begins to flash.
3. Release the start button.
4. The LED's, PS1 to PS4, will now indicate the mode of failure of the dishwasher.

Active Test Program

Start the active test procedure by first running the passive test then press the start button for less than three seconds.

Operation	Function	Indication
Start	Pump out	PS1 LED on
Flushing	Fill - 4.5 litres Pumpout	
Washing	Fill - 4.5 litres Pumpout	PS1 LED on
	Fill - 6 litres Pumpout	
	Fill - 8 litres	PS2 LED on
	SPM on Continues to fill	
30 s Delay	SPM off	PS2 LED on
Pumpout	SPM on Dispenser operates Heating on *	
End		PS3 LED on
		PS3 LED on
		PS4 LED on

Notes :

The active test programs runs for approximately 22 minutes or, if the heat cycle is bypassed the test runs for approximately 4 minutes and 45 seconds.

The active test program runs to the point of failure then stops. If there is no failure the test programs runs to the end.

The failure position is indicated by the flashing START LED extinguishing.

To exit the test program, press the START button for more than three seconds.

An empty rinse aid container will not cause the test program to stop, only illuminate the red LED.

The operation of the fine sieve valve can only be checked visually. A fault is indicated by water remaining in the microfilter housing at the end of the program.

*Note : The heat step can be bypassed by pressing the START button for one second.

Fault Diagnosis

F1 NTC (Negative Temperature Co-efficient of Resistance) Device

- The device is either open circuit or short circuit.
- It is unlikely that the NTC would go out of calibration.

F2 Water Leakage

Water is in drip tray -

- Float switch (LS6) operates, closes the water inlet valve and turns on the drain pump until the water Indicator (WI) reports empty.

F3 Heating System Defective

Fault code triggered by heating rate of less than 1.5 °C in 3 minutes.

- Element (HEW) defective
- Relay (RE2) defective

F4 Draining Failure

Drain pump energised and after four minutes Water Indicator (WI) still detects water.

- Drain pump (DPM) defective
- Drain hose blocked
- Control board defective
- Water Indicator defective (Pressure switch contacts remain closed)

F6 Water Control Cock Closed

Water valve (WV1) is energised but flow meter (FM) sends no impulses to CPU (less than 10 impulses in 10 seconds) and the water indicator is at low level.

- Water inlet control cock closed
- Water inlet hose blocked or kinked
- Water inlet valve (WV1) blocked or defective
- Flow Meter (FM) defective
- Water indicator defective

F7 Water Flow Meter Failure

Water inlet valve is energised and the water indicator is switched to high level.

- Flow meter (FM) sends no impulses to CPU (less than 10 impulses in 10 seconds).
- Water inlet control cock closed
- Water inlet hose blocked or kinked
- Water inlet valve (WV1) blocked or defective
- Flow Meter (FM) defective
- Water indicator defective

Test Point T0 to T2**Communication between control board and user board**

<u>Rotary Switch</u>		<u>Voltage (V dc)</u>
O		0.00
Pre-rinse	Cold	-1.54
BIO-ECO	50°C	-3.42
Daily Wash	65°C	-3.96
Normal Wash	65°C	-4.47
Intensive Wash	70°C	-5.00

Test Point T0 to T3**Communication between control board and display board****All settings** -3.18 V dc