

SLV-E580EE/E580EG/E630AE/E630NP/E727VC/E730B/E730EX/E730NC/E730NP/  
 E730UX/E730VC/E730VP/E735B/E735NC/E735VC/E780EE/E780EG/E780EN  
 RMT-V220B/V221D/V223/V223A/V223B/V224/V224C

# SERVICE MANUAL



Photo: SLV-E780

S MECHANISM

Hi-Fi

SHOWVIEW

- Refer to the SERVICE MANUAL of VHS MECHANICAL ADJUSTMENTS VI for MECHANICAL ADJUSTMENTS. (9-921-647-11)

*AEP Model*  
 SLV-E630AE

*French Model*  
 SLV-E730B/735B

*East European Model*  
 SLV-E580EE/E780EE

*Middle European Model*  
 SLV-E580EG/E780EG/E780EN

*North European Model*  
 SLV-E730NC/E735NC

*Irish Model*  
 SLV-E730EX

*Spanish Model*  
 SLV-E630NP/E730NP

*UK Model*  
 SLV-E730UX

*German Model*  
 SLV-E727VC/E730VC/E730VP/E735VC

\* The abbreviations of E580, E630, E727, E730, E735, E780 contained in this service manual are indicated when these models are common to all their corresponding models as given below.

| Abbreviated model name | E580             | E630             | E727   | E730  | E735                      | E780                       |
|------------------------|------------------|------------------|--------|---|---------------------------|----------------------------|
| All model names SLV-   | E580EE<br>E580EG | E630AE<br>E630NP | E727VC | E730B<br>E730EX<br>E730NC<br>E730NP<br>E730UX<br>E730VC<br>E730VP | E735B<br>E735NC<br>E735VC | E780EE<br>E780EG<br>E780EN |



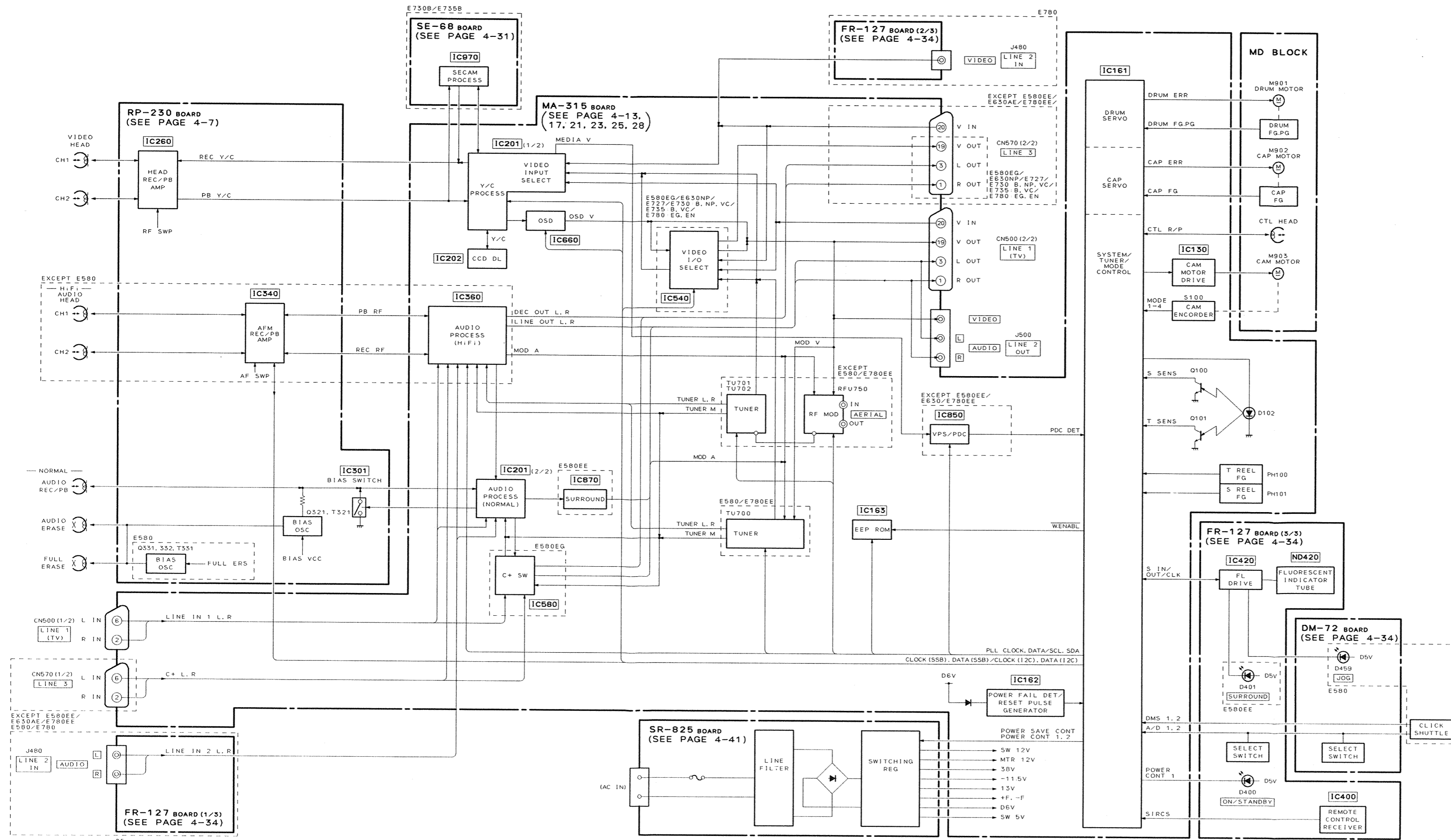
VIDEO CASSETTE RECORDER



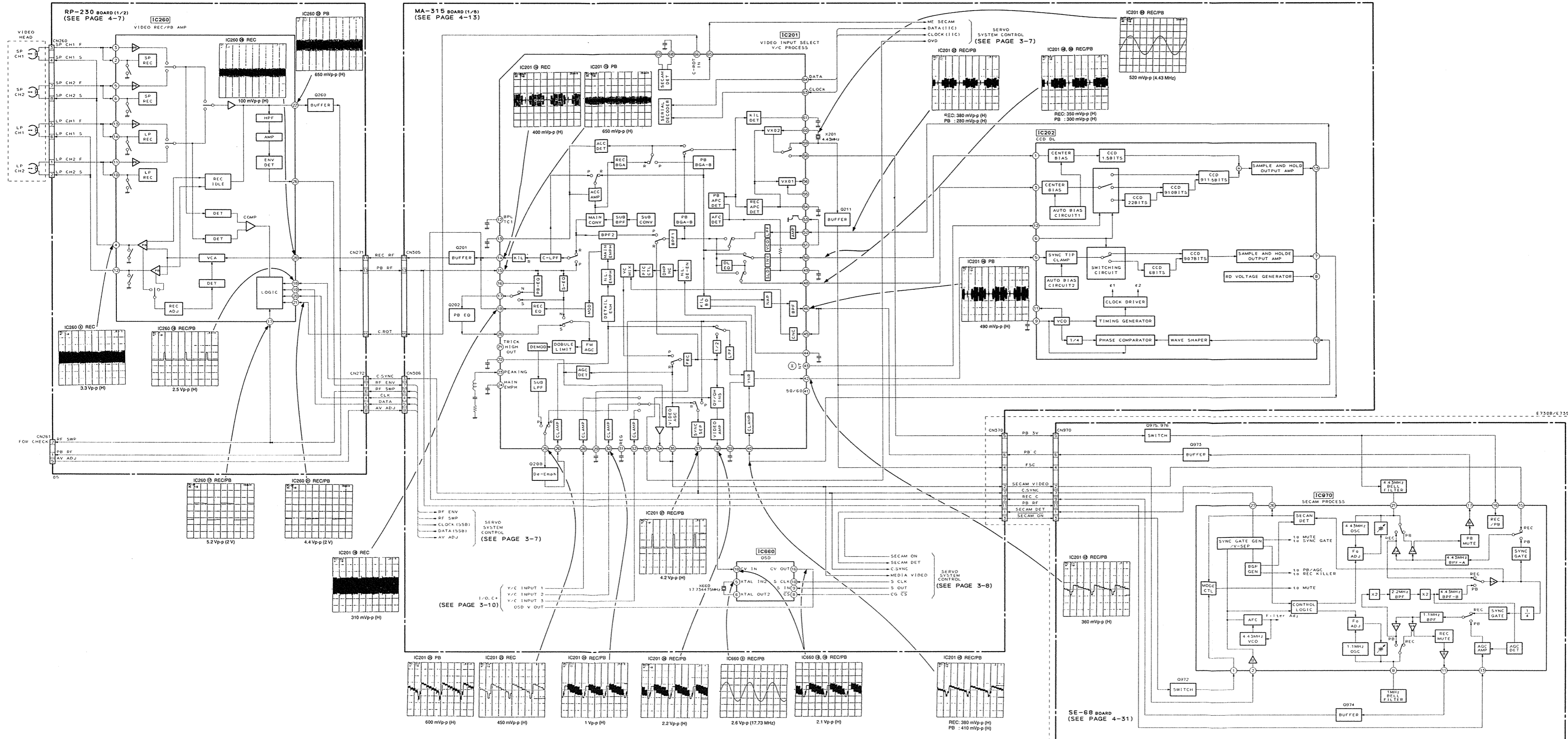
SONY®

SECTION 3  
BLOCK DIAGRAMS

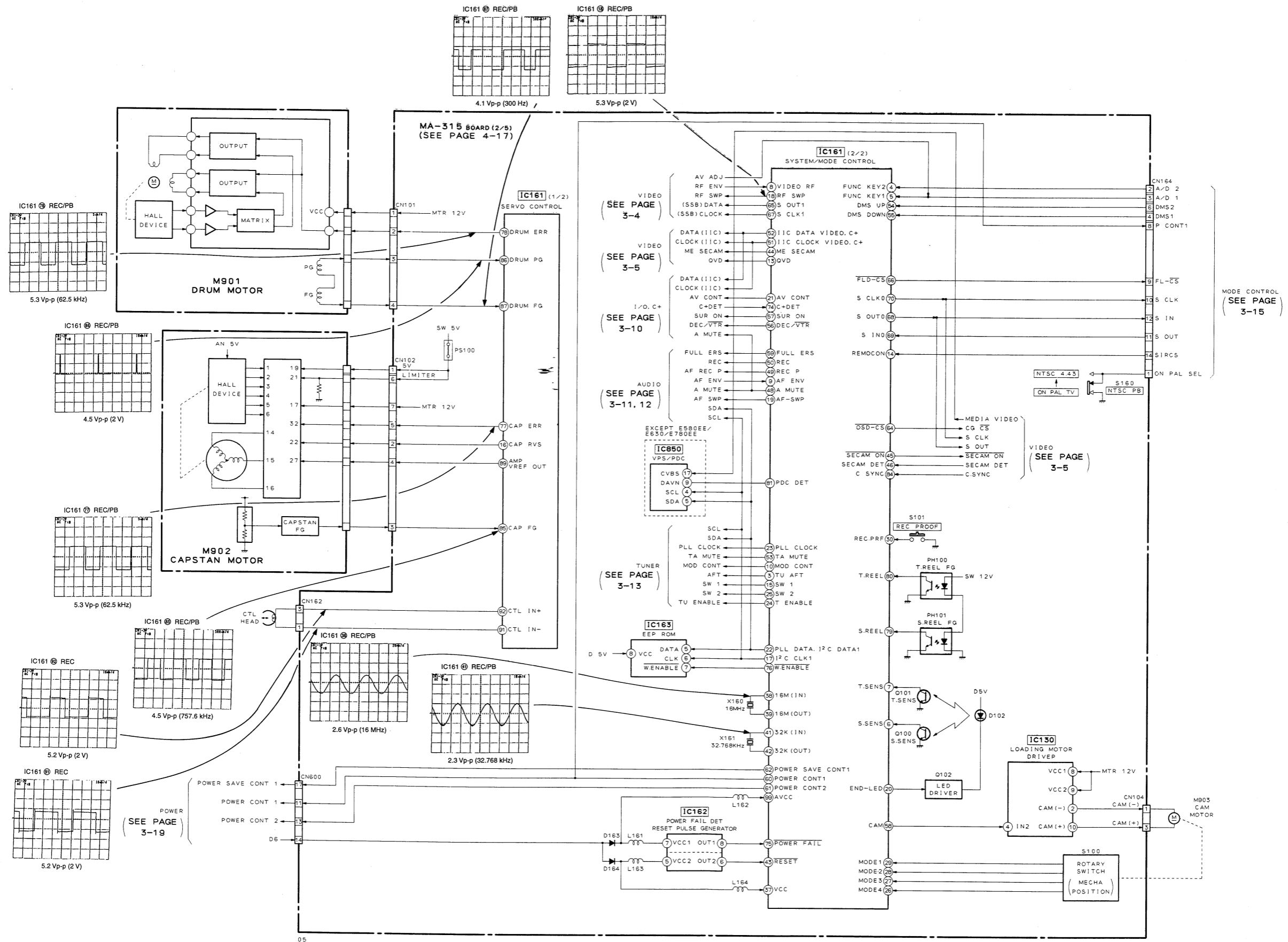
3-1. OVERALL BLOCK DIAGRAM



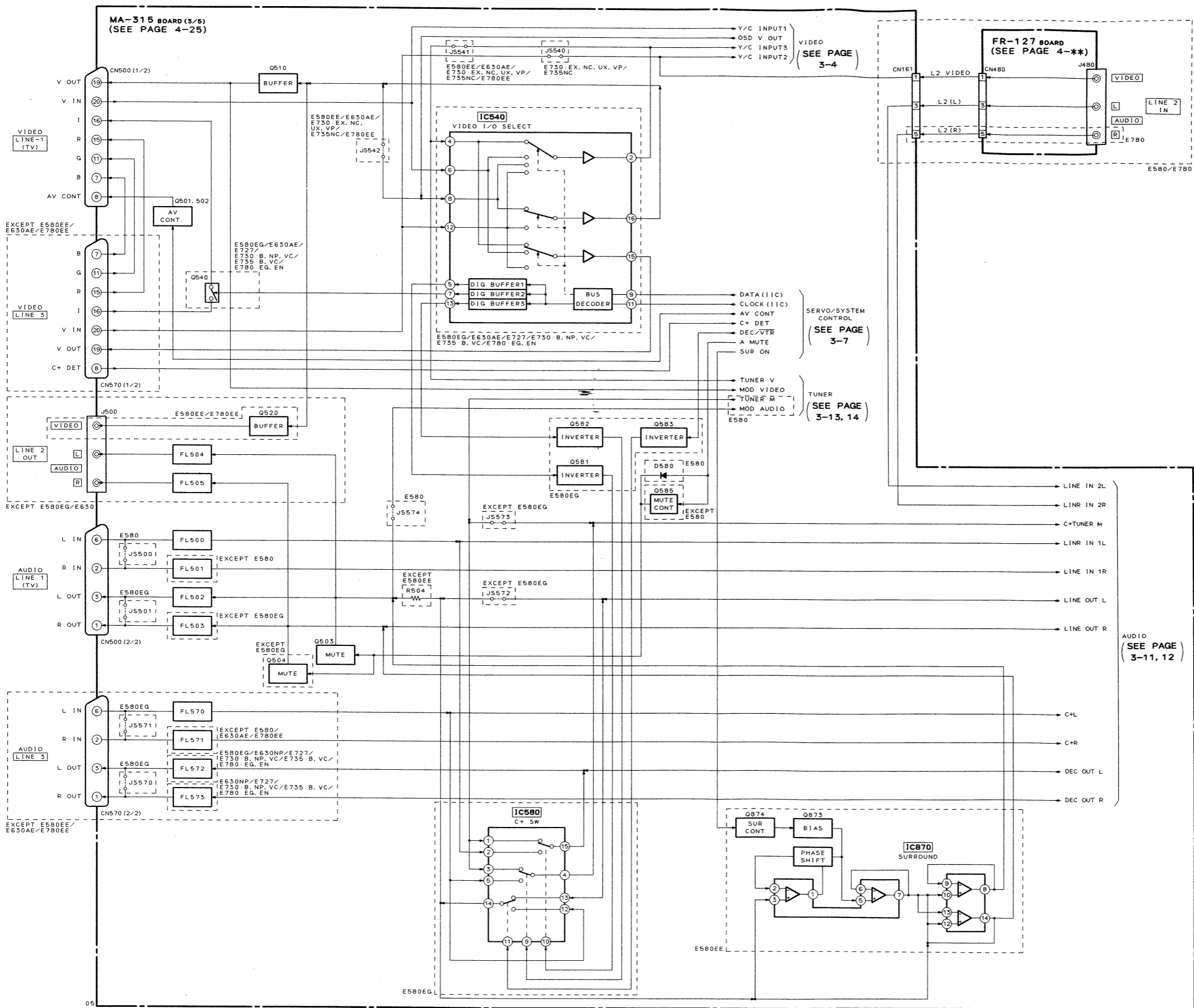
3-2. VIDEO BLOCK DIAGRAM



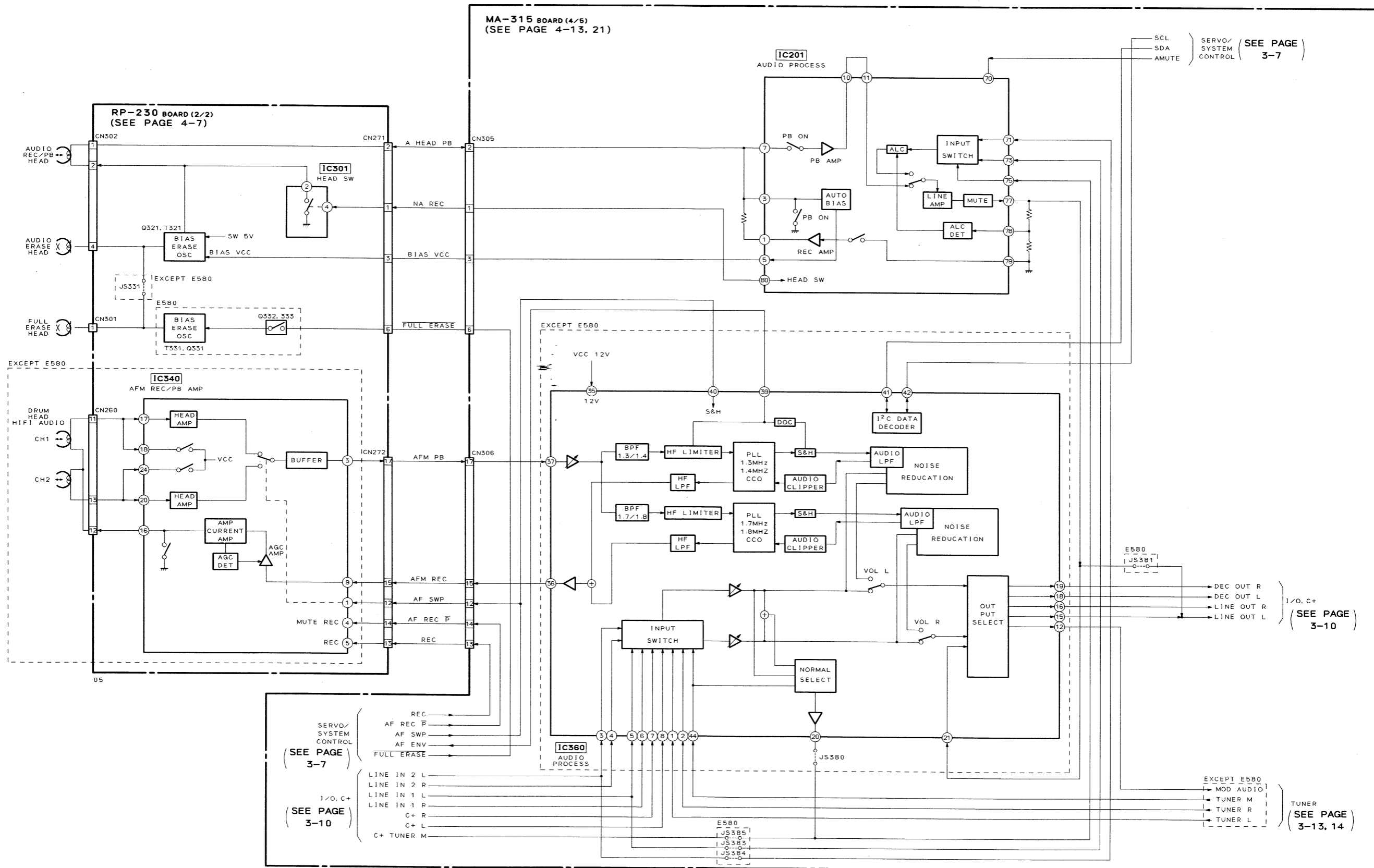
3-3. SERVO/SYSTEM CONTROL BLOCK DIAGRAM



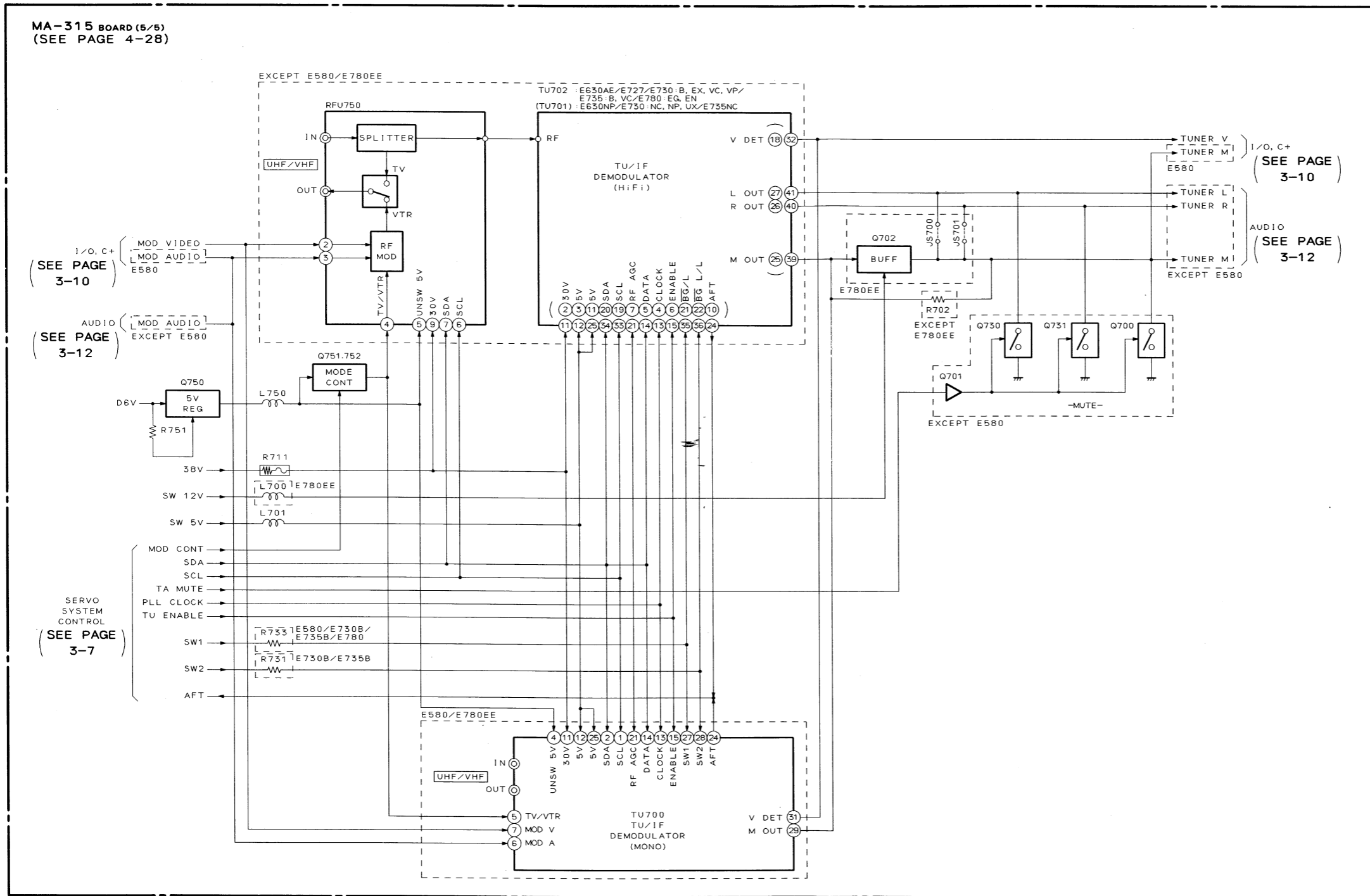
3-4. I/O, C+ BLOCK DIAGRAM



3-5. AUDIO BLOCK DIAGRAM



3-6. TUNER BLOCK DIAGRAM



05

4-1. FRAME SCHEMATIC DIAGRAM

SECTION 4  
PRINTED WIRING  
BOARDS AND  
SCHEMATIC DIAGRAMS

THIS NOTE IS COMMON FOR PRINTED WIRING BOARDS AND SCHEMATIC DIAGRAMS.  
(In addition to this, the necessary note is printed in each block.)

- For printed wiring boards:
- — : indicates a lead wire mounted on the component side.
  - — : indicates a lead wire mounted on the printed side.
  - : Through hole.
  - : Parts mounted on the conductor side.
  - ▨ : Pattern from the side which enables seeing.
  - ▩ : Pattern on the rear side.\*
  - : Circled numbers refer to waveforms.

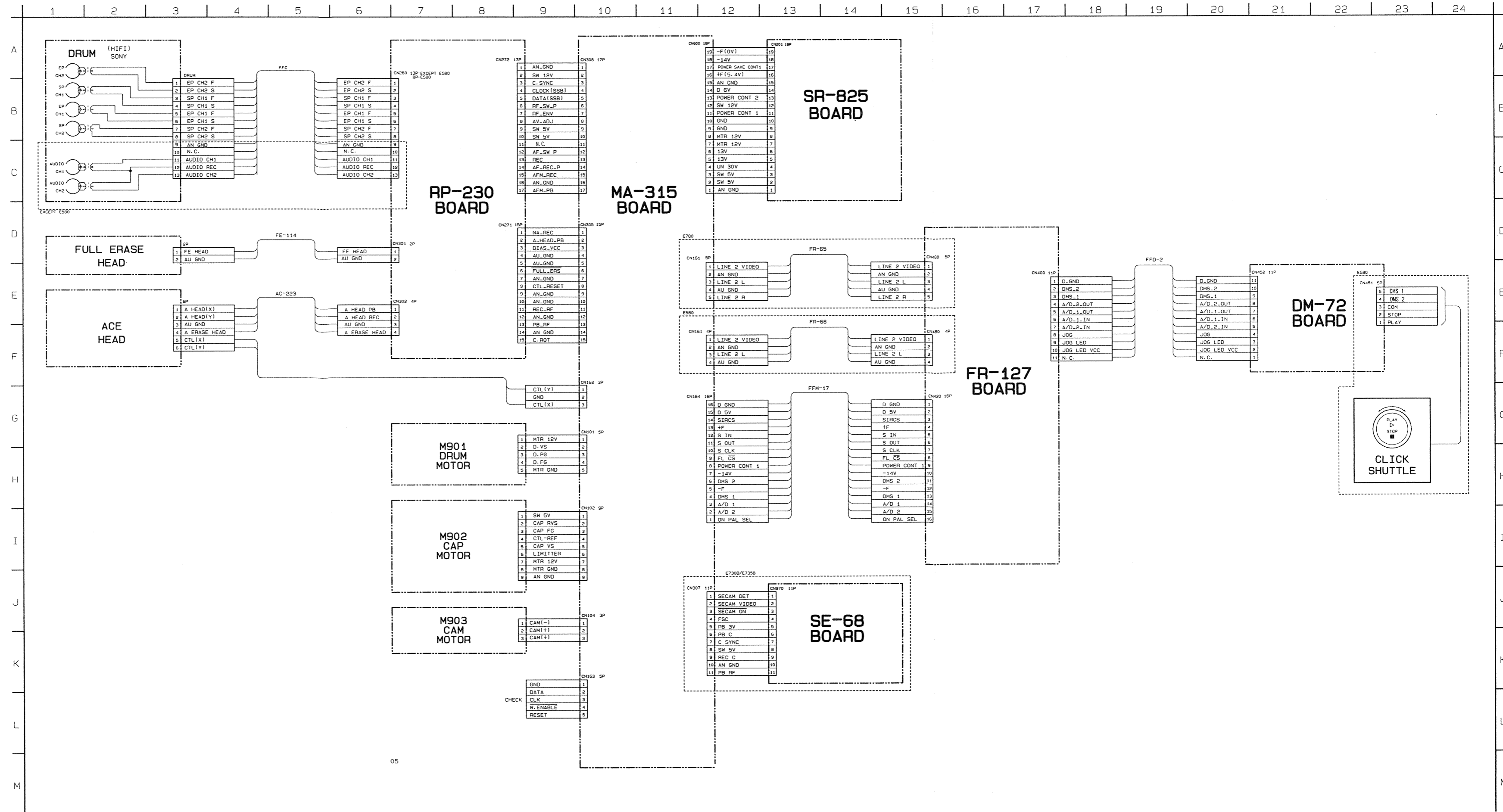
Caution:  
Pattern face side: Parts on the pattern face side seen from the conductor side.  
Parts face side: Parts on the parts face side seen from the component side.

- For schematic Diagram:
- Caution when replacing chip parts.  
New parts must be attached after removal of chip.  
Be careful not to heat the minus side of tantalum capacitor, because it is damaged by the heat.
  - All resistors are in ohms, 1/4W (Chip resistors: 1/10W) unless otherwise specified.  
kΩ: 1000Ω, MW: 1000kΩ.
  - All capacitors are in μF unless otherwise noted. pF: μF 50V or less are not indicated except for electrolytics and tantalums.
  - All variable and adjustable resistors have characteristic curve B, unless otherwise noted.
  - ▭ : nonflammable resistor.
  - ▭ : fusible resistor.
  - ▭ : panel designation.
  - △ : internal component.
  - ▭ : adjustment for repair.\*
  - : B+ Line.\*
  - : B- Line.\*
  - ⇒ : IN/OUT direction of B line (+, -).\*
  - Circled numbers refer to waveforms.\*
  - Voltages are dc between measurement point.\*
  - Readings are taken with a color-bar signal input.\*
  - Readings are taken with a digital multimeter (DC 10MW).\*
  - Voltage variations may be noted due to normal production tolerances.\*

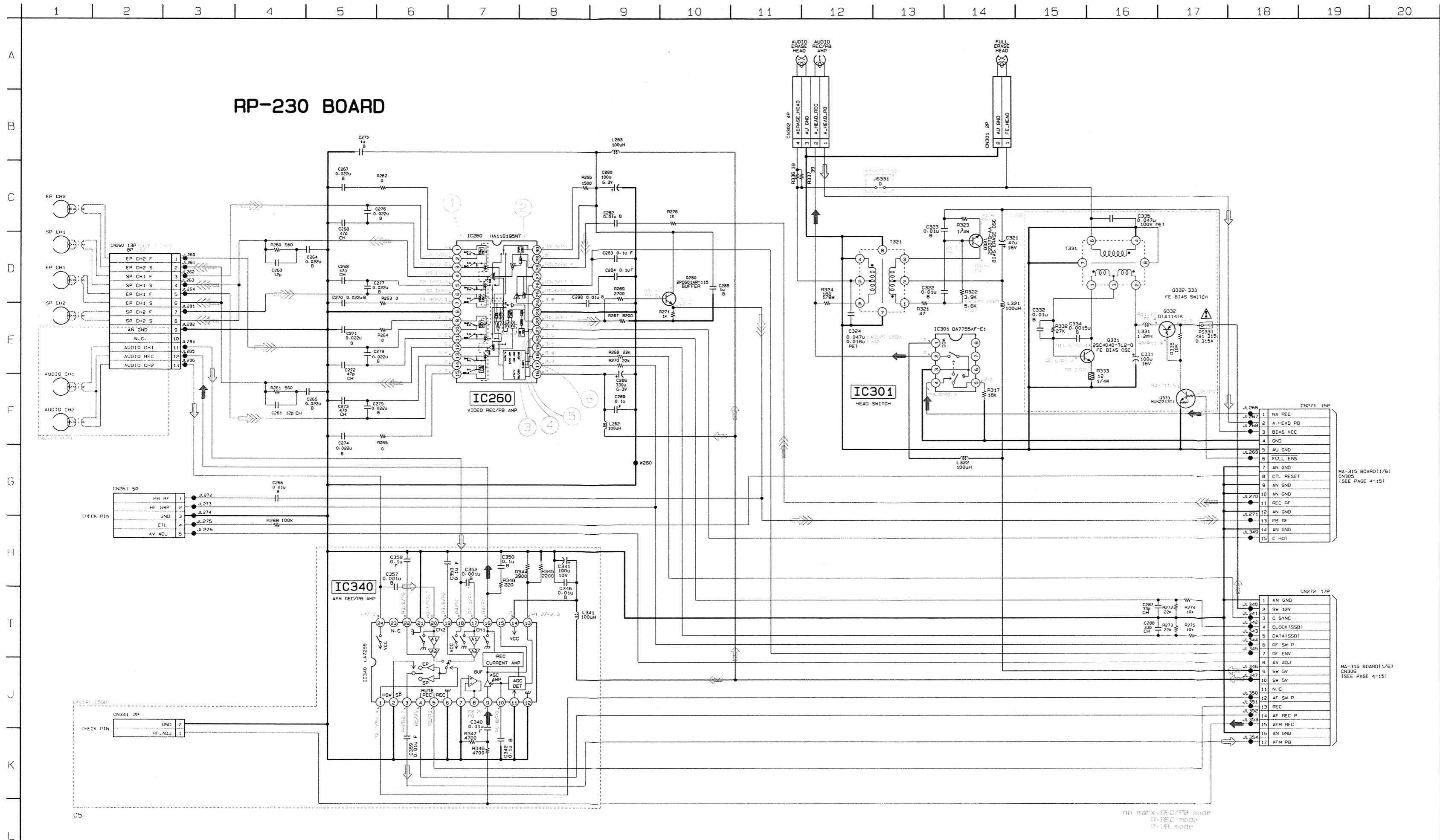
Note: The components identified by mark △ or dotted line with mark △ are critical for safety.  
Replace only with part number specified.

When indicating parts by reference number, please include the board name.

- \* : indicated by the color red.



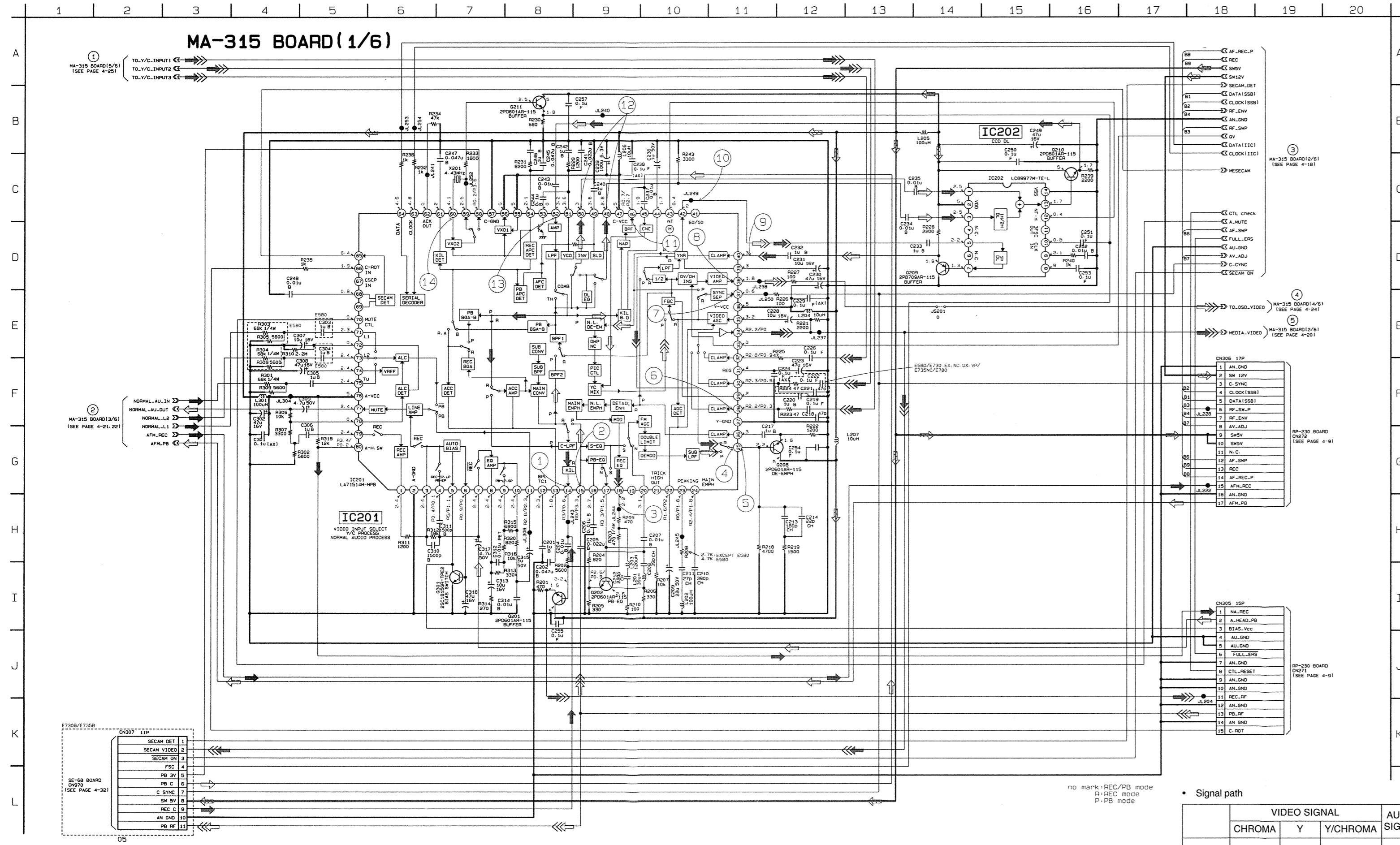




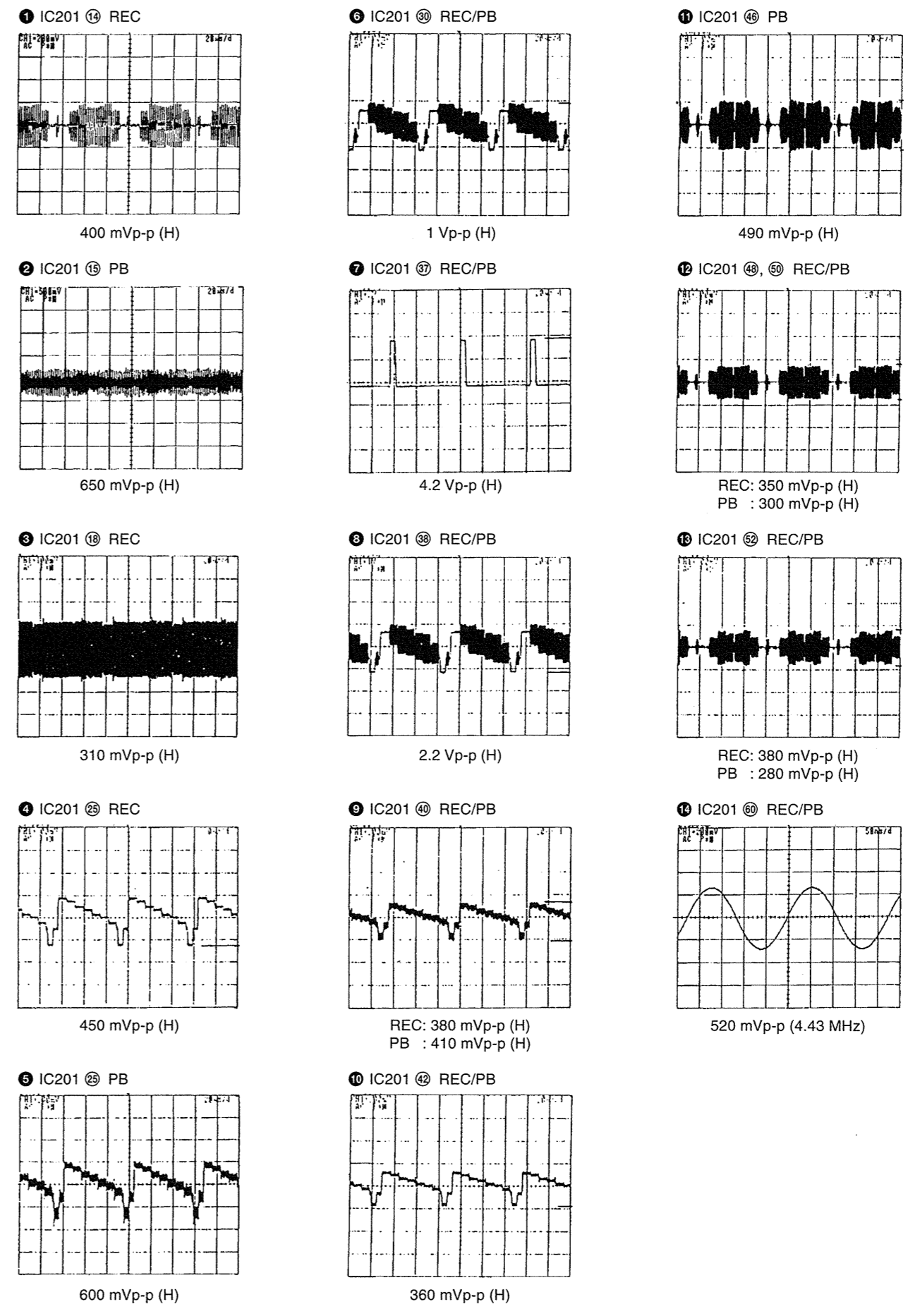
Note: The components identified by mark ▲ or dotted line with mark △ are critical for safety. Replace only with part number specified.

• Signal path

|     | VIDEO SIGNAL |   |          | AUDIO SIGNAL |
|-----|--------------|---|----------|--------------|
|     | CHROMA       | Y | Y/CHROMA |              |
| REC | →            | → | →        | →            |
| PB  | ⇨            | ⇨ | ⇨        | ⇨            |



• Waveforms



• Signal path

|     | VIDEO SIGNAL |   |          | AUDIO SIGNAL |
|-----|--------------|---|----------|--------------|
|     | CHROMA       | Y | Y/CHROMA |              |
| REC | ➡            | ➡ | ➡        | ➡            |
| PB  | ➡            | ➡ | ➡        | ➡            |