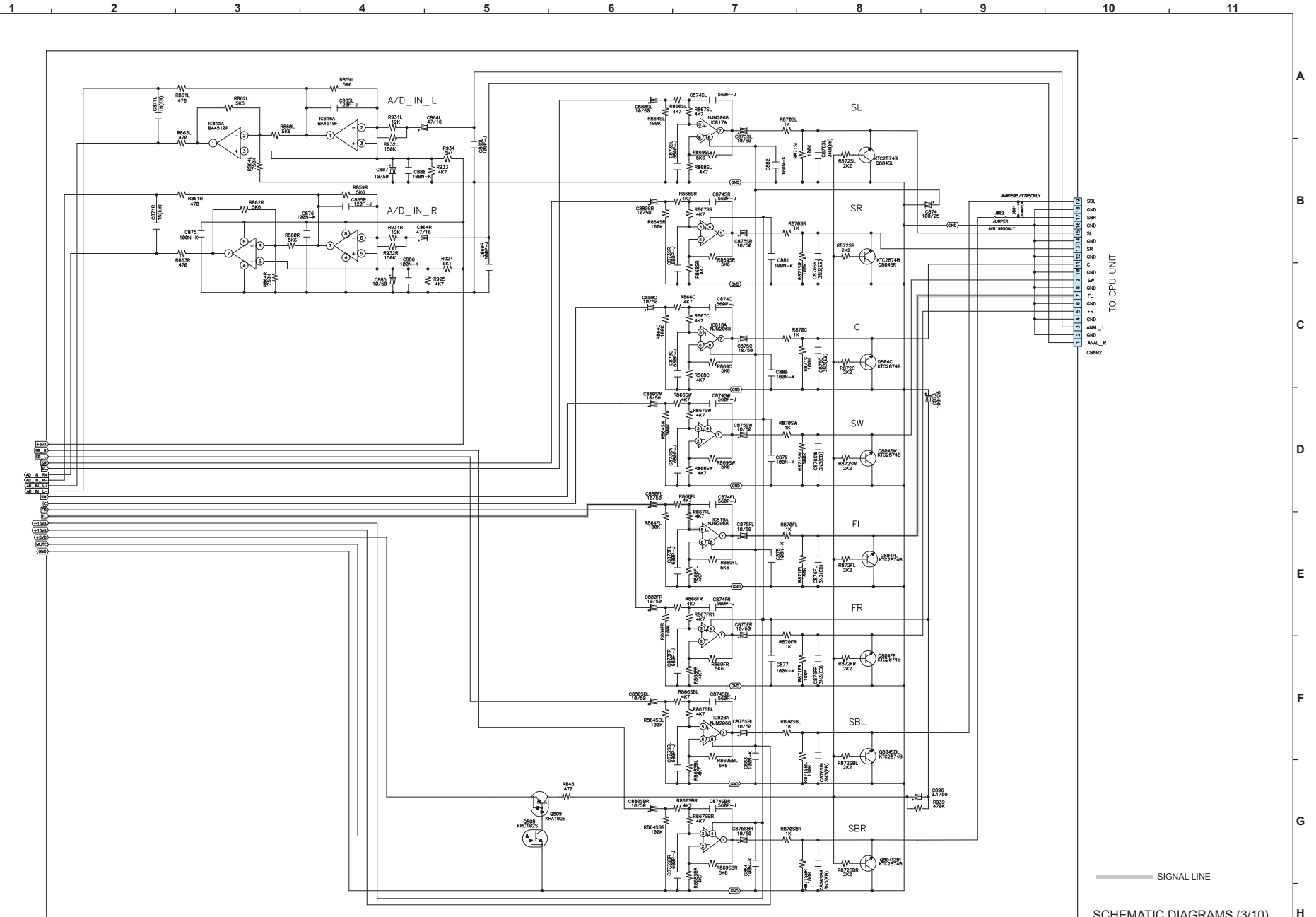
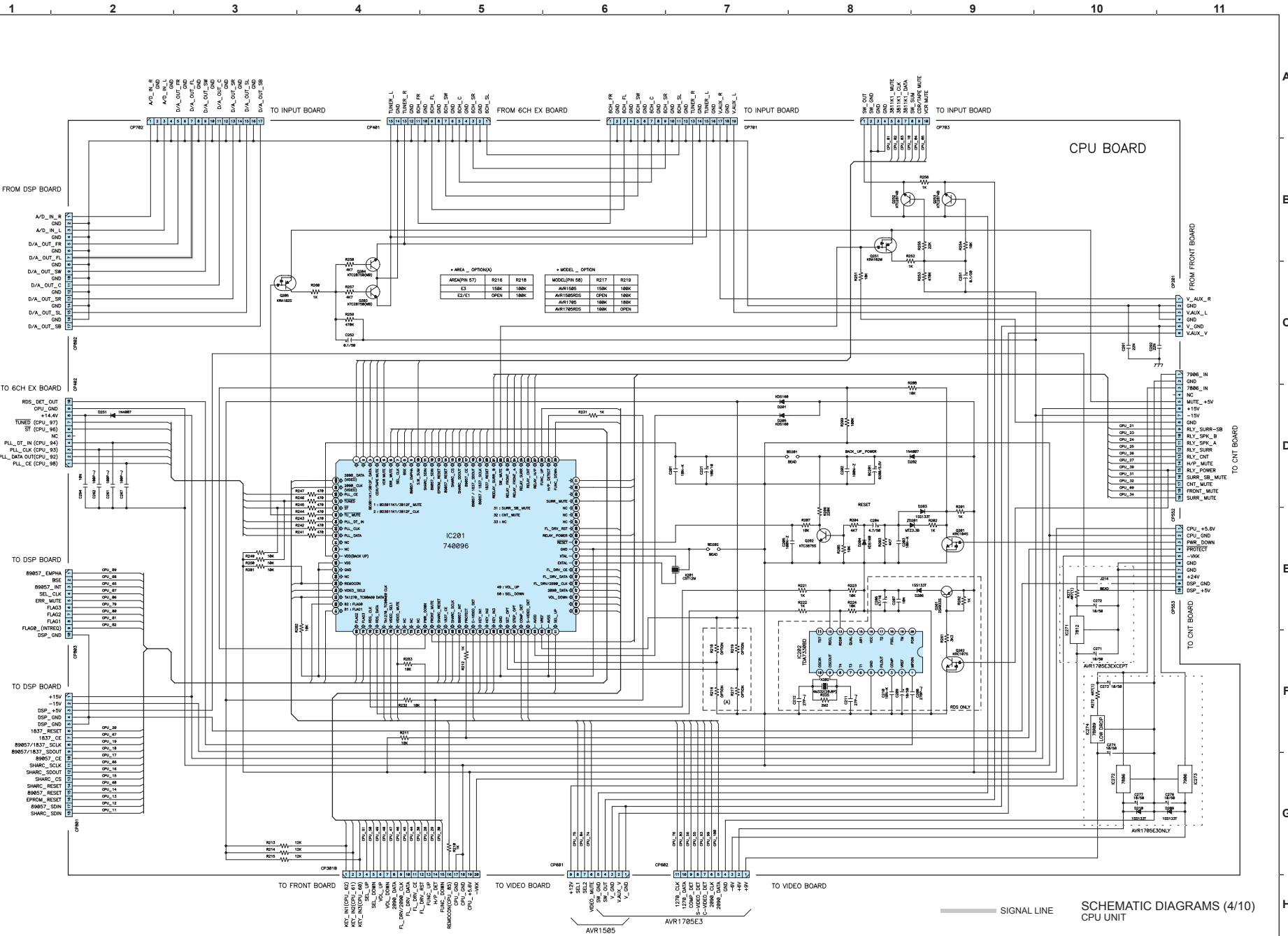


SCHEMATIC DIAGRAMS (2/10)
DSP UNIT (1/2)



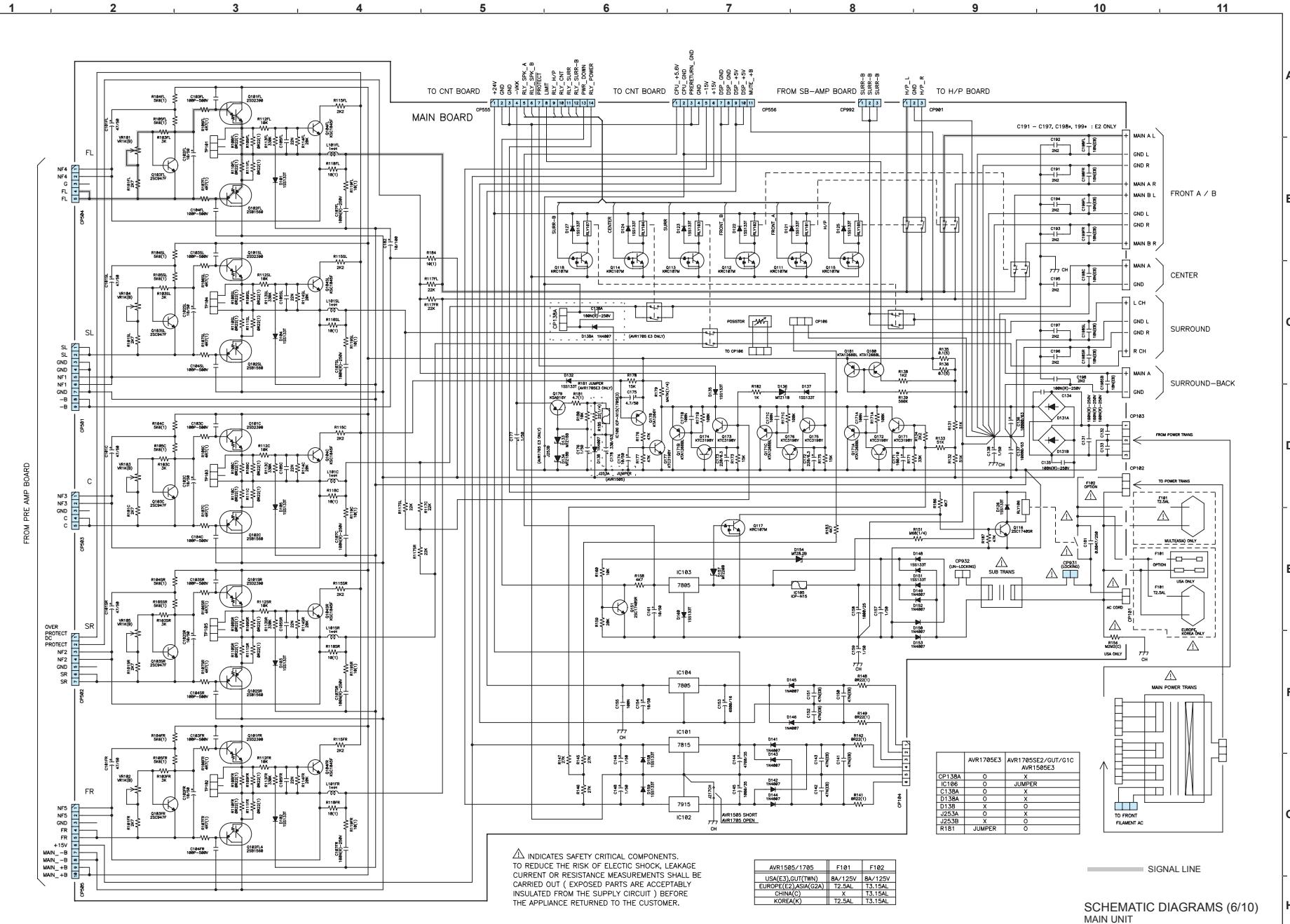
SCHMATIC DIAGRAMS (3/10)
DSP UNIT (2/2)

SCHEMATIC DIAGRAMS (4/10)



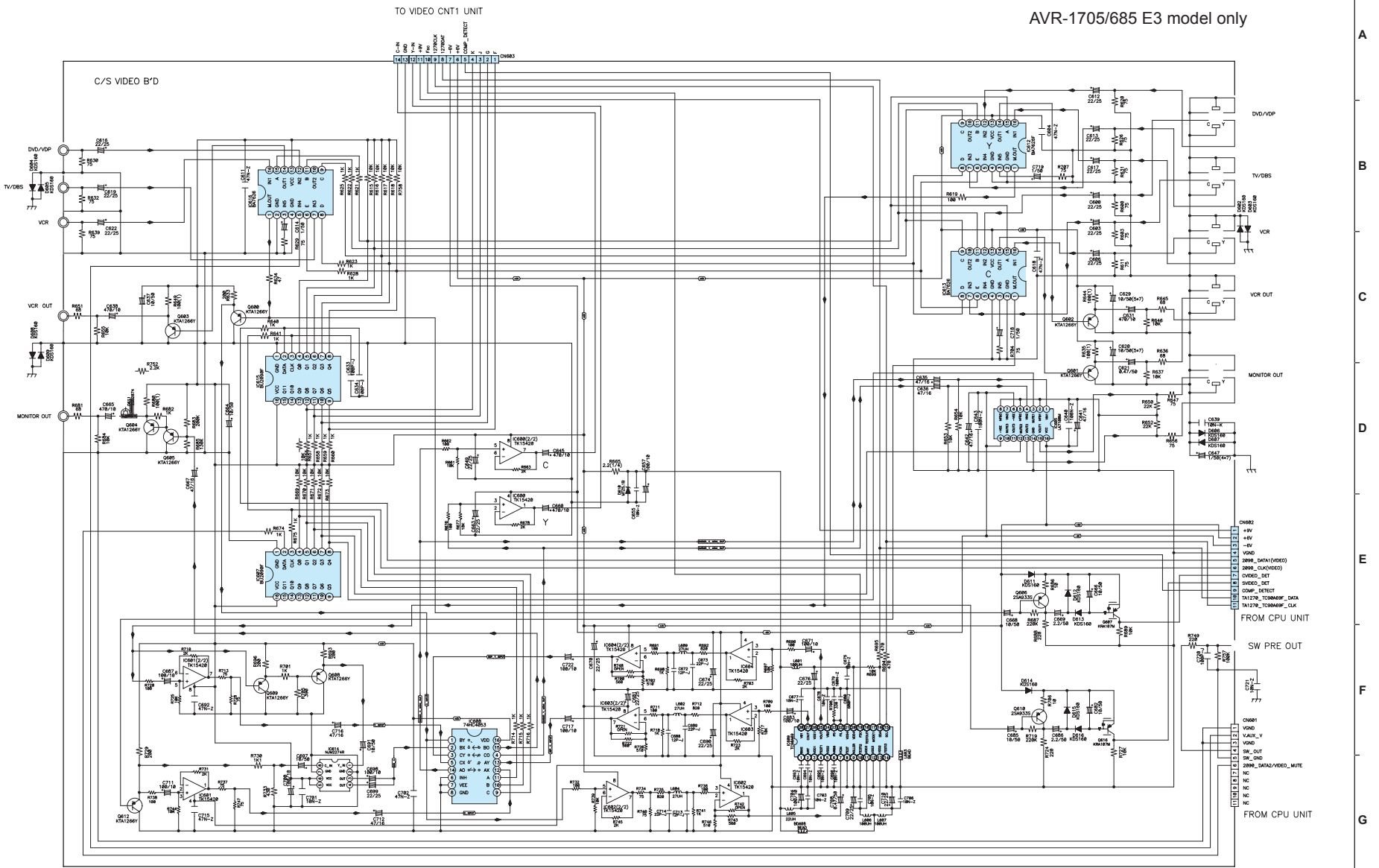
— SIGNAL LINE SCHEMATIC DIAGRAMS (4/10) CPU UNIT

SCHMATIC DIAGRAMS (6/10)



SCHMATIC DIAGRAMS (6/10)
MAIN UNIT

1 2 3 4 5 6 7 8 9 10 11



AVR-1705/685 E3 model only

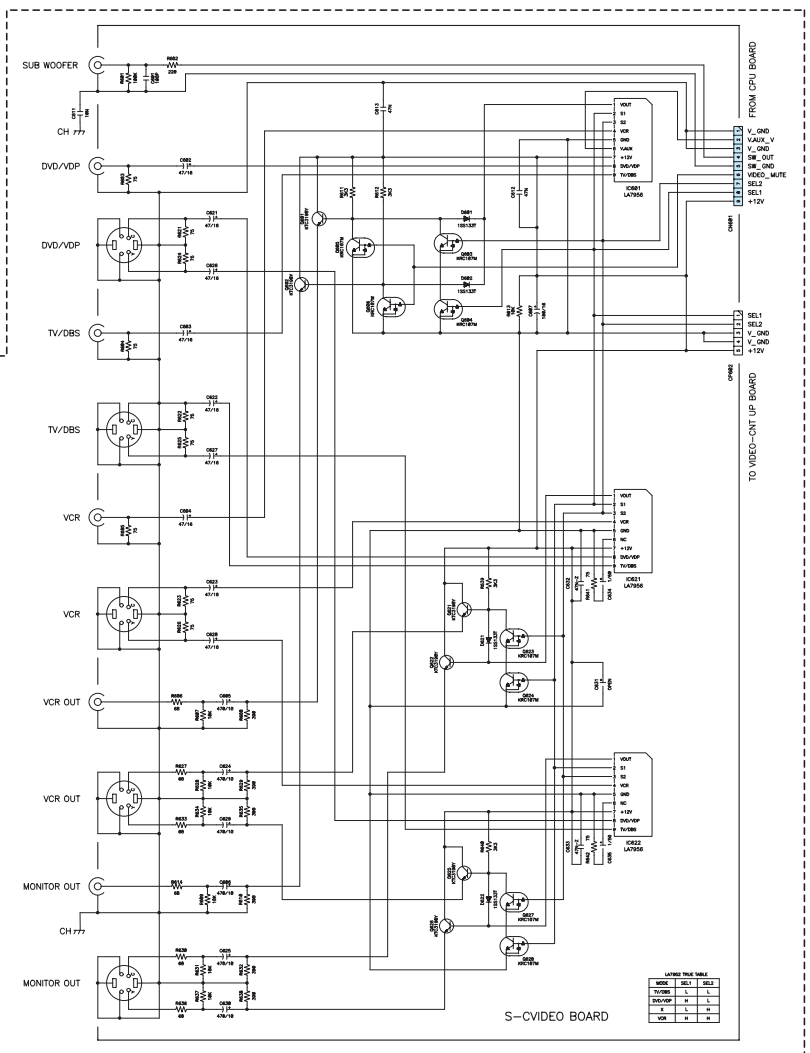
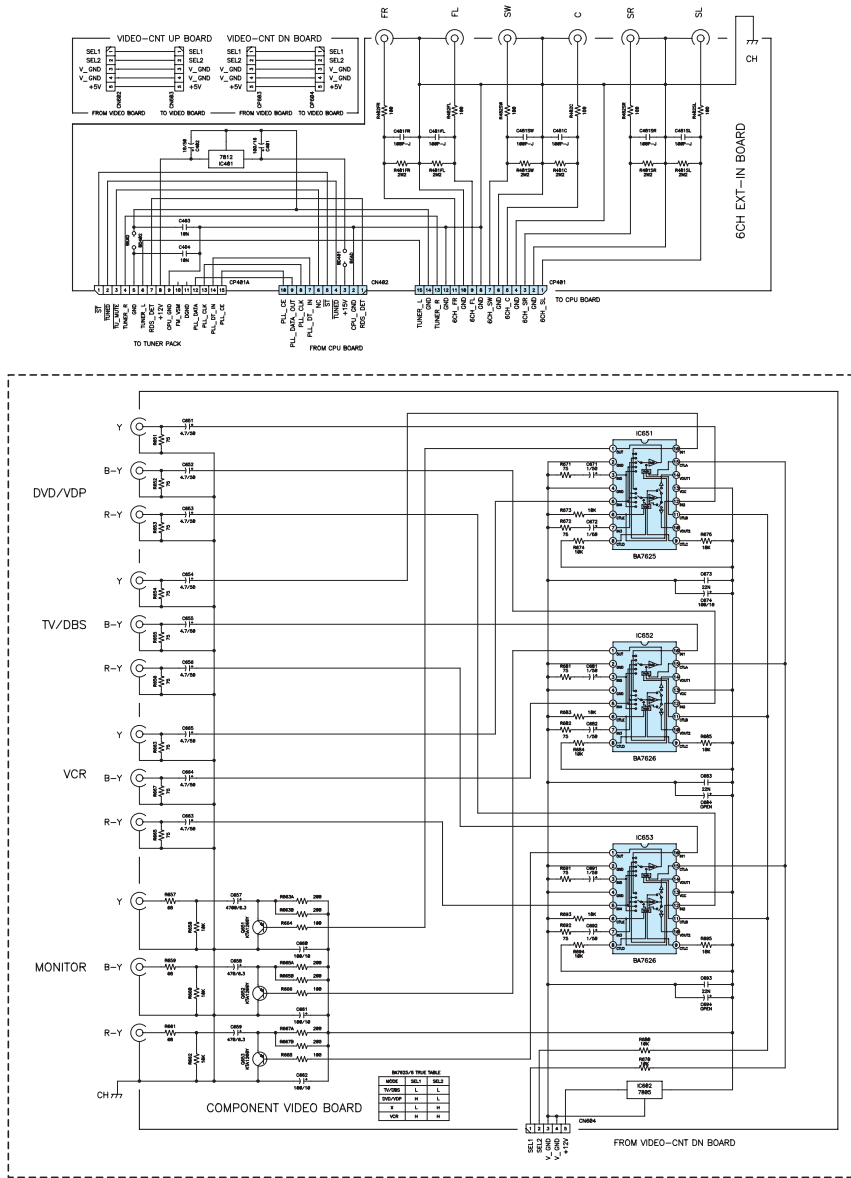
A	B	E	MONITOR OUT	C	D	E	V OUT1	L	L	L	V	OUT2
L	L	L	INT(DVD)	L	L	L	INT	L	L	L	-	
L	L	L	INT(DVD/VIDEO)	L	L	L	INT	L	L	L	-	
L	L	L	INT(TV/OBS)	L	L	L	INT	L	L	L	-	
H	H	H	INT(CAS)	H	H	H	INT	H	H	H	-	
H	H	H	INT(CAS)	H	H	H	INT	H	H	H	-	

SCHMATIC DIAGRAMS (7/10)
C-S VIDEO 2 UNIT

SCHMATIC DIAGRAMS (9/10)

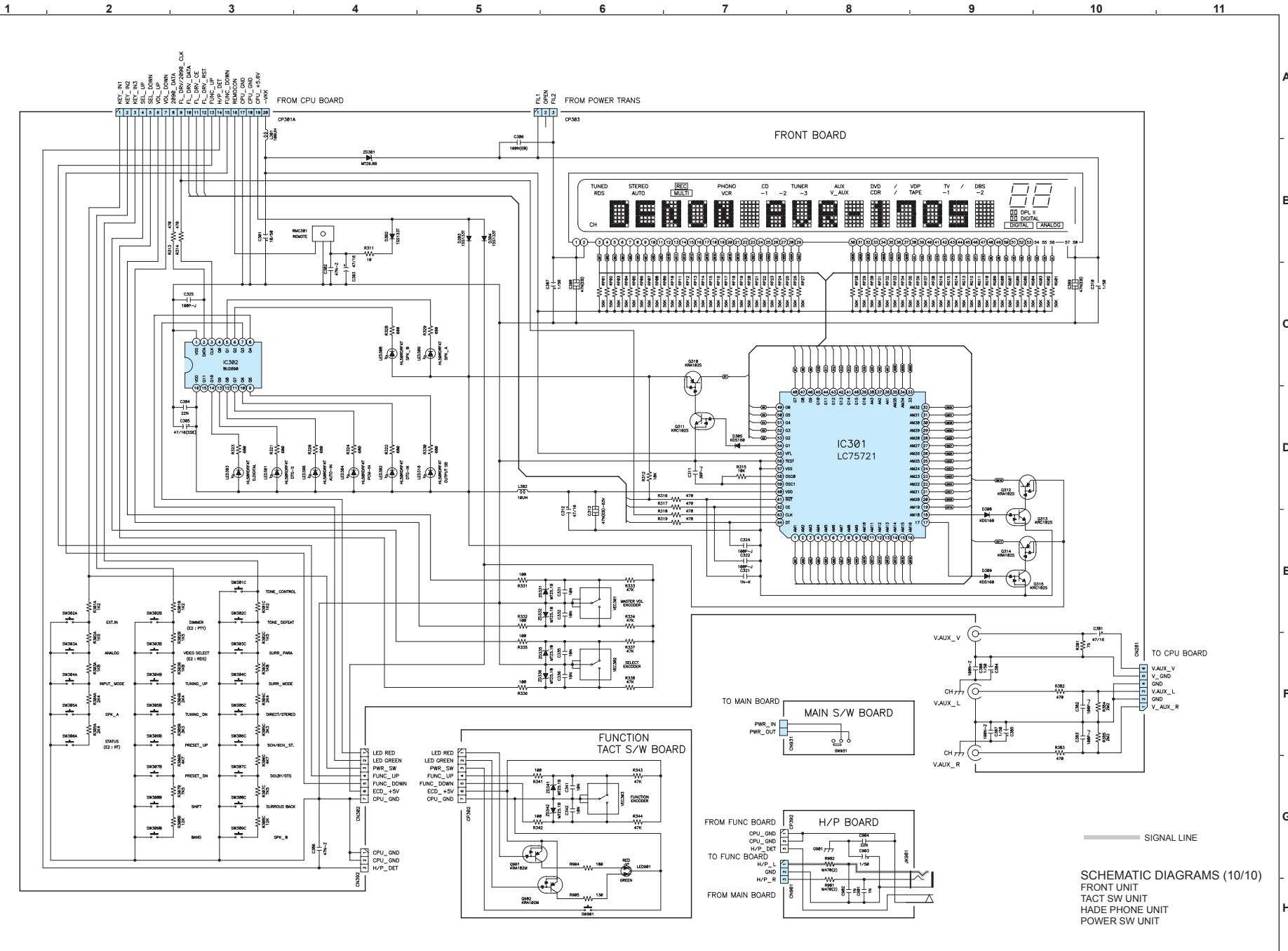
1 2 3 4 5 6 7 8 9 10 11

AVR-1705E2, E1C, EUT, AVR-1505/484E3 model only



SCHMATIC DIAGRAMS (9/10)
C-S VIDEO 1 UNIT
COMP-V1 UNIT
6-CH EXT UNIT
V-CNT UP 1 UNIT
V-CNT DOWN 1 UNIT

SCHEMATIC DIAGRAMS (10/10)



SCHEMATIC DIAGRAMS (10/10)
FRONT UNIT
TACT SW UNIT
HEAD PHONE UNIT
POWER SW UNIT