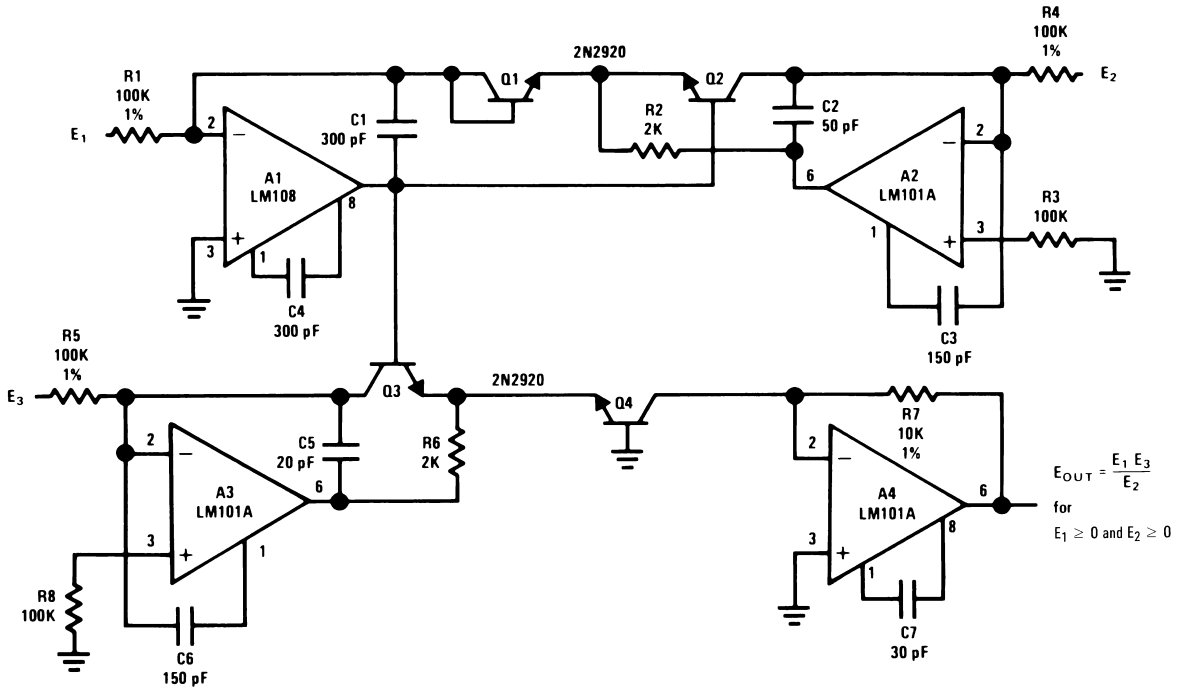


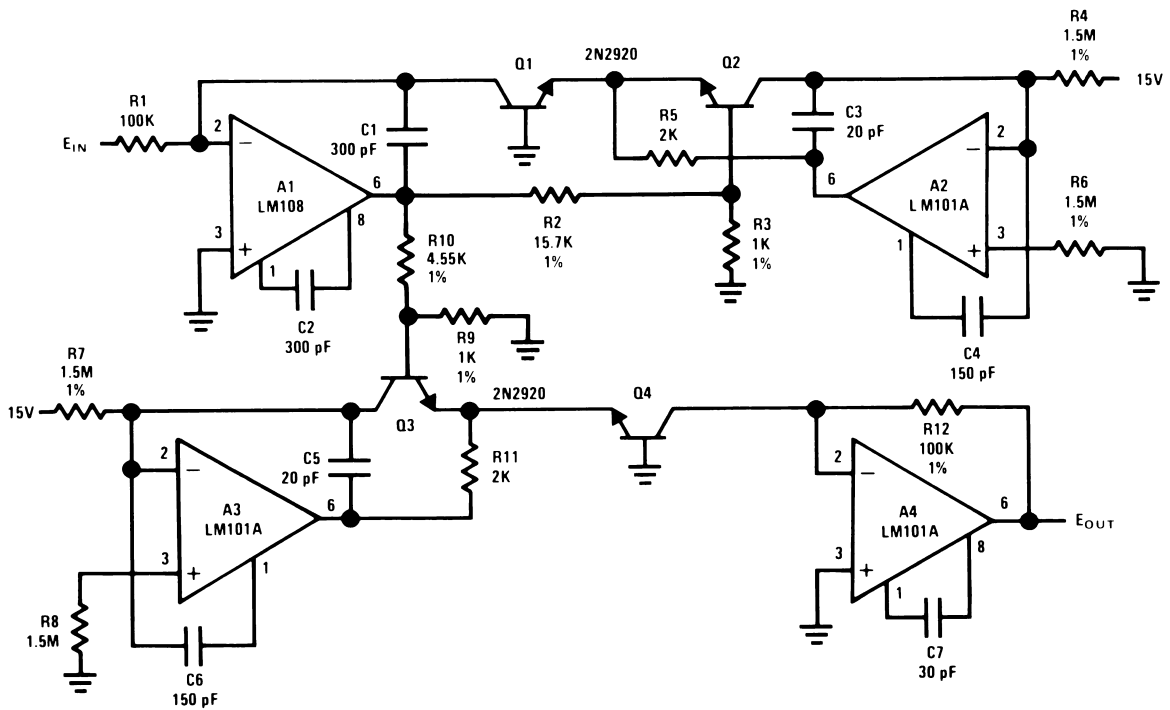
Section 3 — Signal Processing (Continued)

Multiplier/Divider



00705787

Cube Generator



00705788