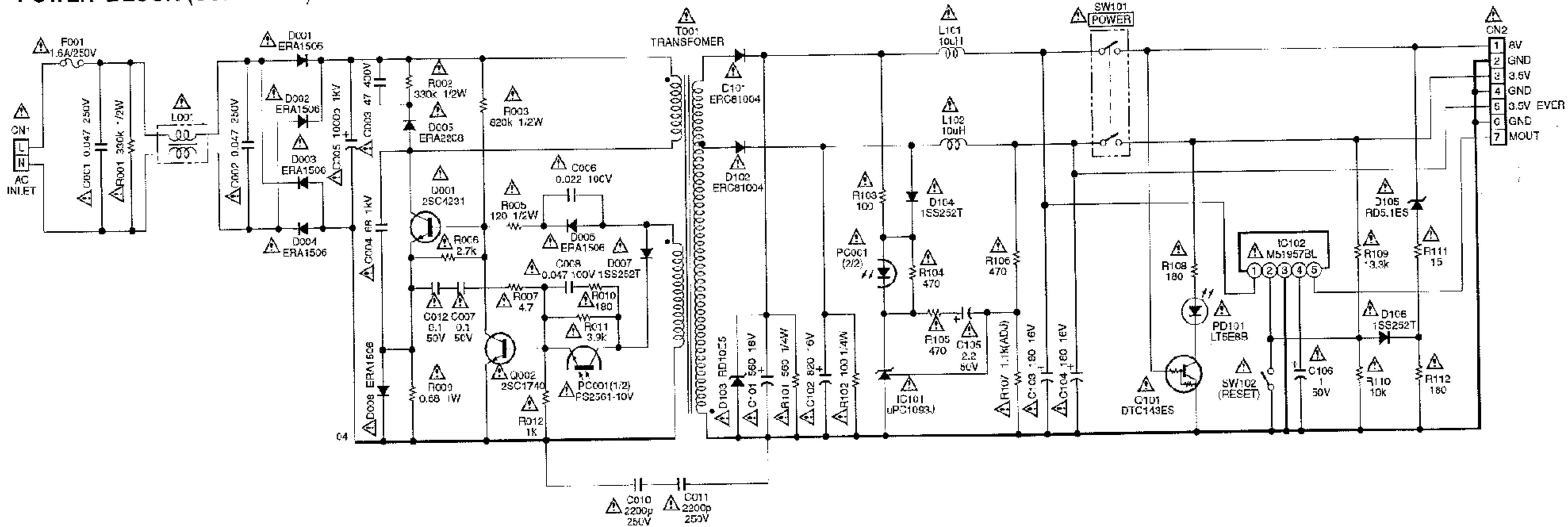
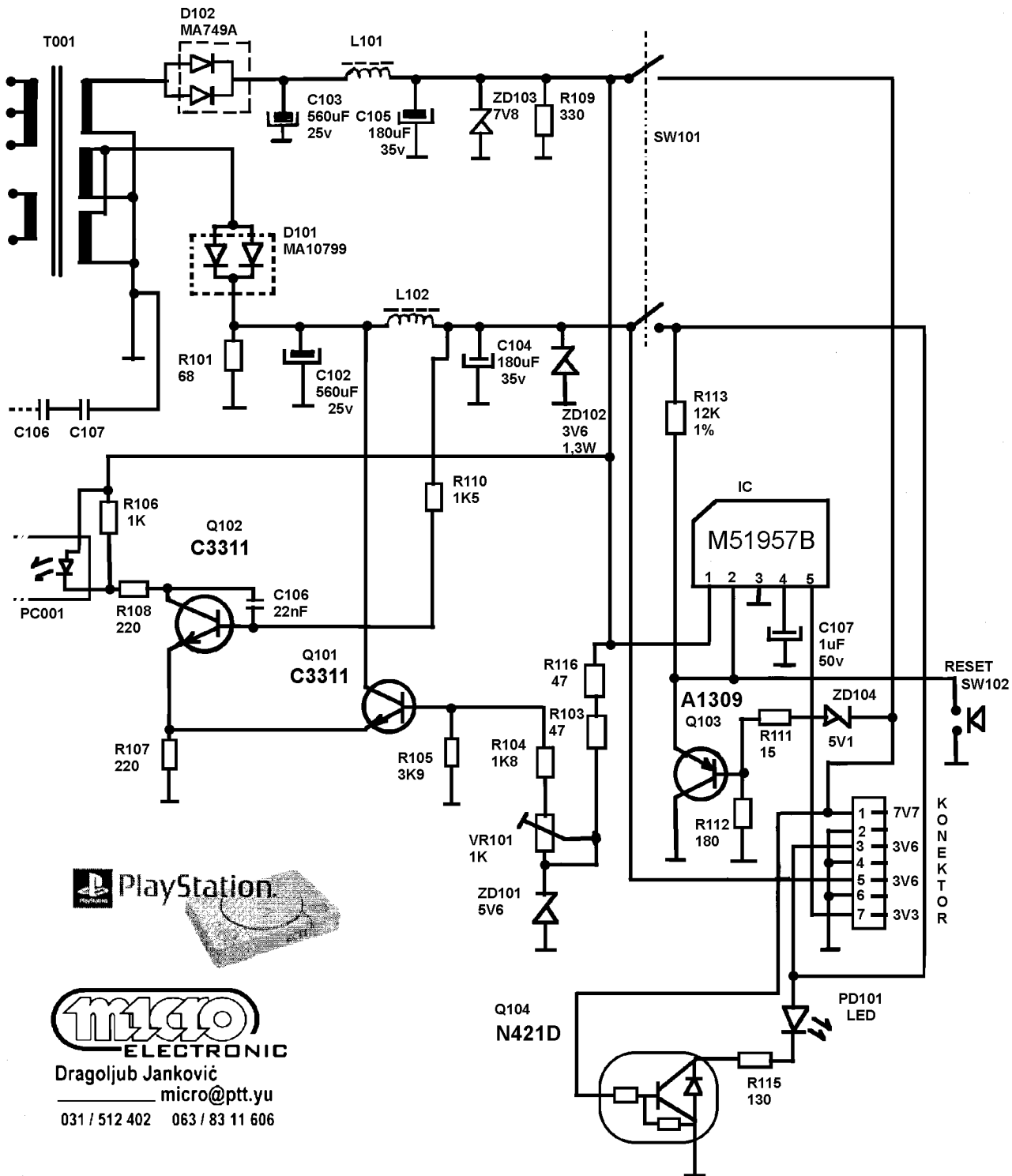


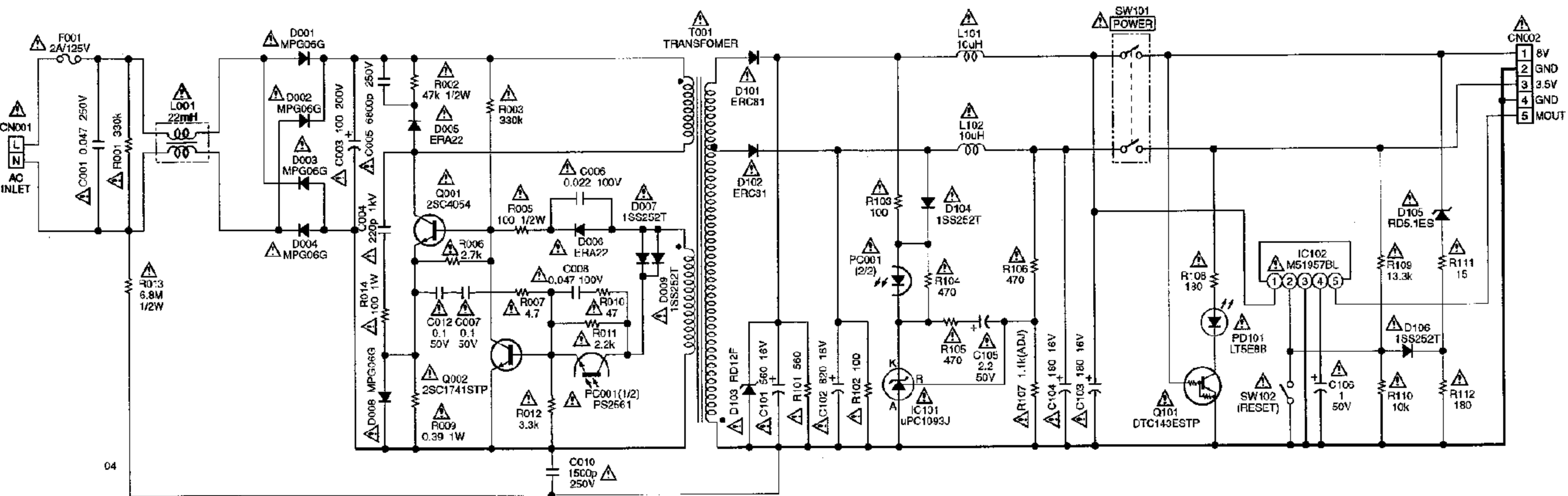
POWER BLOCK (SCPH-1002)

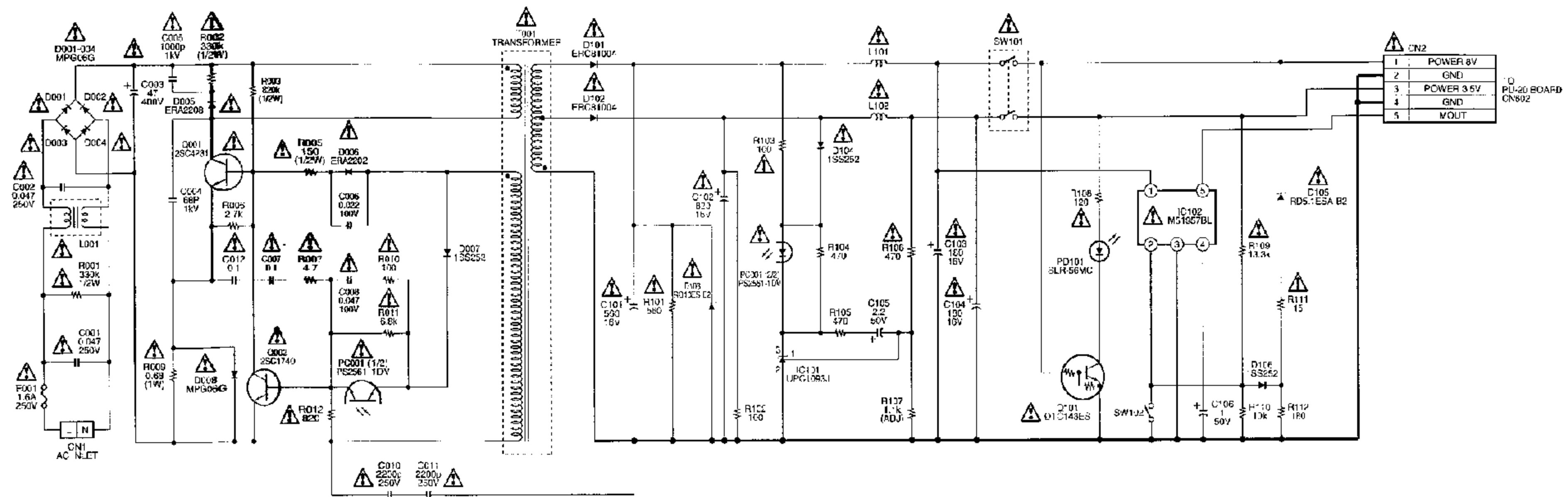


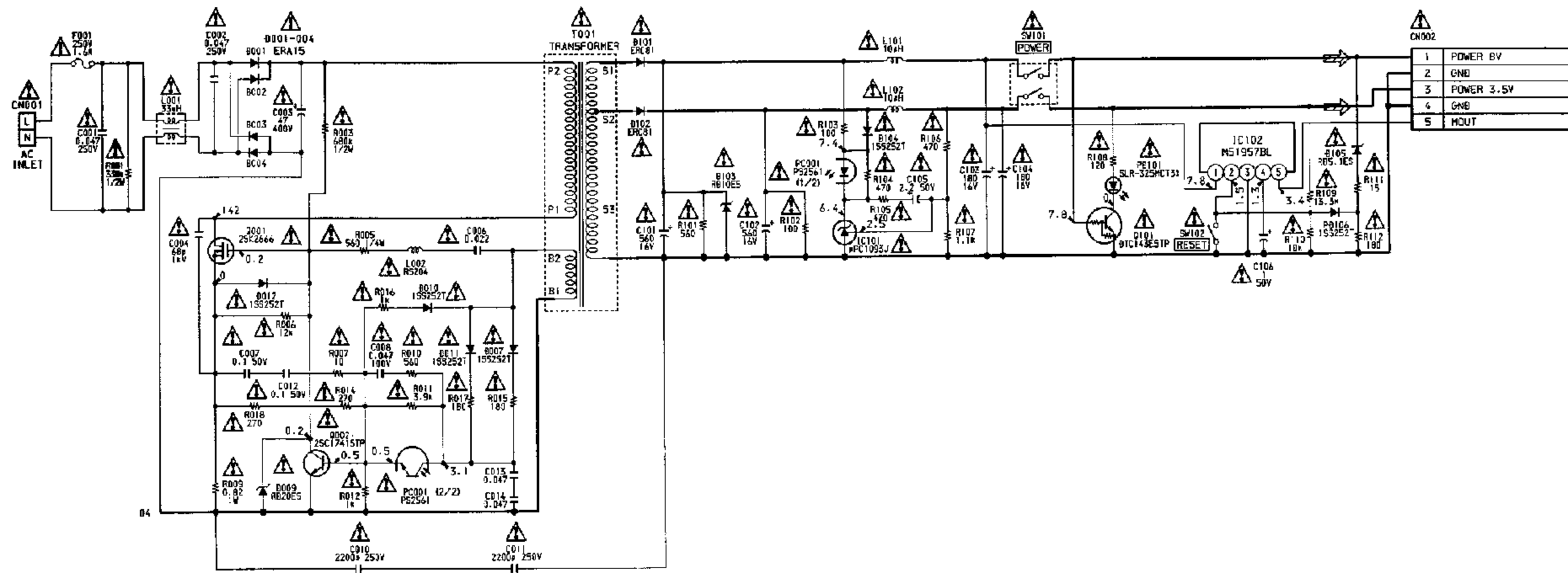


micro
ELECTRONIC

Dragoljub Janković
micro@ptt.yu
031 / 512 402 063 / 83 11 606







1	POWER 5V
2	GND
3	POWER 3.5V
4	GND
5	MOUT

