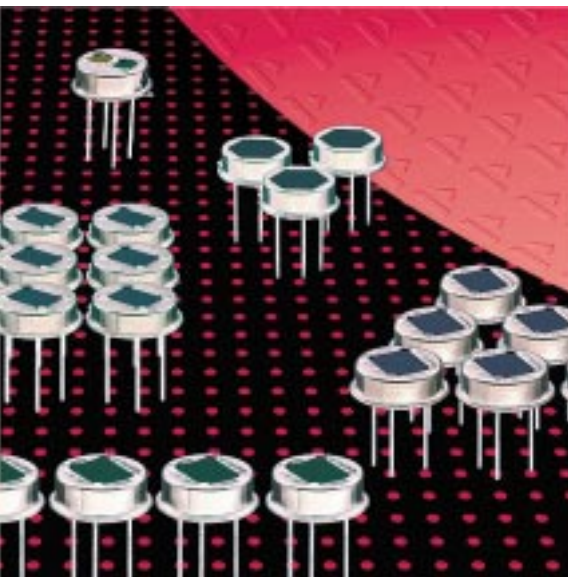


Pyroelectric Infrared Detectors

Dual Element Detectors LHi 954 / 958

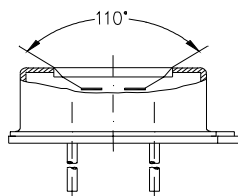
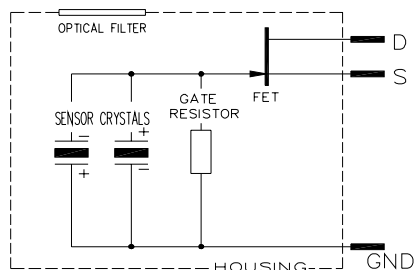


TO-39 / TO-5 housing

High reliability

Well proven design

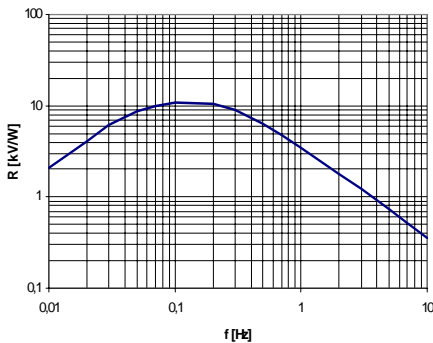
The **LHi 954** and **LHi 958** pyroelectric infrared-detectors have been a world standard for more than 10 years. They both are dual element types with FET in source follower connection. The **LHi 954** detector is available in **TO-39** housing with standard infrared filter whereas the **LHi 958** is the same detector in a **TO-5** housing with standard infrared filter. It offers a highly stable responsivity with excellent common mode performance (match) and low noise .



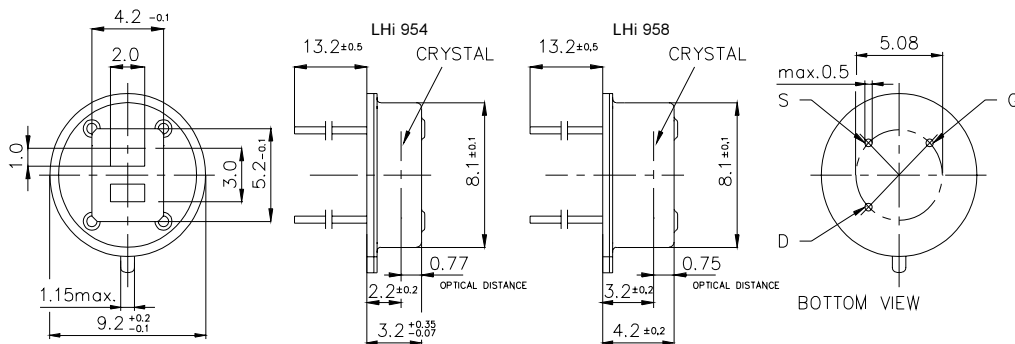
Field of View

Parameters	LHi		954 / 958		units	condition
	min	typical	max			
Element size		2x1			mm ²	(2 elements)
Responsivity	3000	3700			V/W	100°C, 1 Hz
Match		1	10		%	
Noise		20	50		µVpp	25°C, 0,3...10Hz
Offset Voltage	0,2		1,50		V	R _s =47kΩ, 25°C
NEP		8,1x10 ⁻¹⁰	25x10 ⁻¹⁰		W √Hz	1Hz Bw, 100°C, 1 Hz
D*		5,6x10 ⁷	17,5x10 ⁷		cm √Hz/W	1Hz Bw, 100°C, 1 Hz
Output Impedance		5	10		kΩ	R _s =47kΩ, 25°C.
Operating Voltage	2		15		V	R _s =47kΩ, 25°C
Field of View, horizontal		110°				unobstructed
Field of View, vertical		110°				unobstructed
Operating Temp.	-40		85		°C	non permanent
Storage Temperature	-40		85		°C	non permanent

Right for modification reserved / WS / 29.6.2001



Frequency Response



Dimensions in mm

Europe:
PerkinElmer Optoelectronics GmbH
 Wenzel Jaksch Str 31
 Wiesbaden / Germany
 Phone +49(0)611 492 0
 Fax +49(0)611 492 170

USA:
PerkinElmer Optoelectronics
 2175 Mission College Blvd
 Santa Clara, CA 95054
 Phone +408 565 0830
 Fax +408 565 0703

Asia:
PerkinElmer Optoelectronics
 47, Ayer Rajah Crescent #06-12
 Singapore 139947
 Phone +65 775 2022
 Fax +65 775 1008



DATASHEET

This datasheet has been download from:

www.datasheetcatalog.com

Datasheets for electronics components.