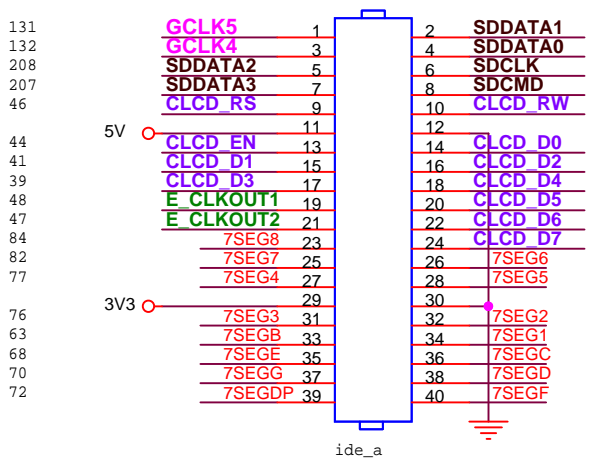
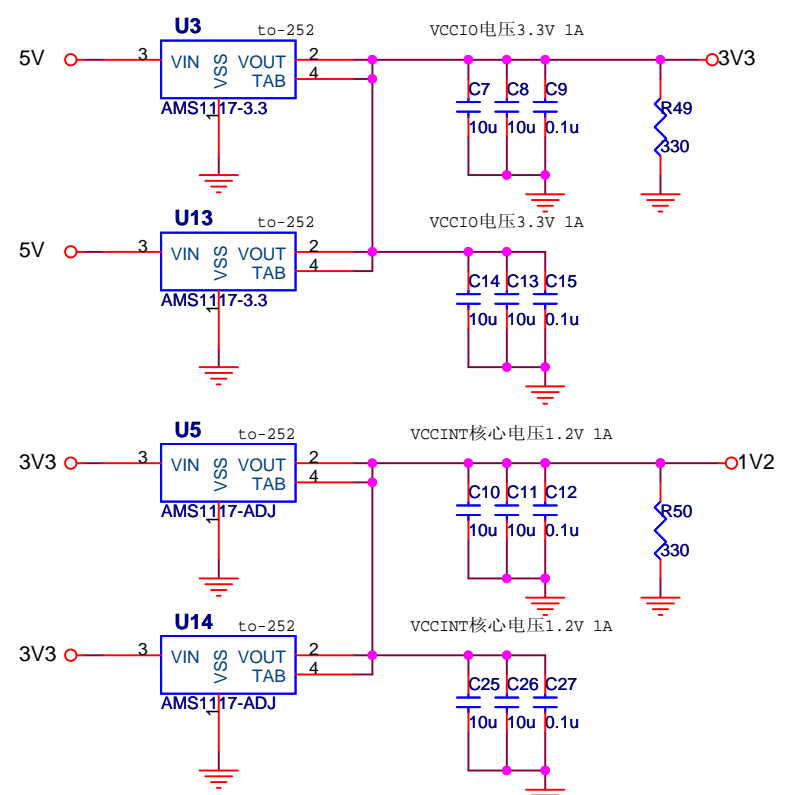
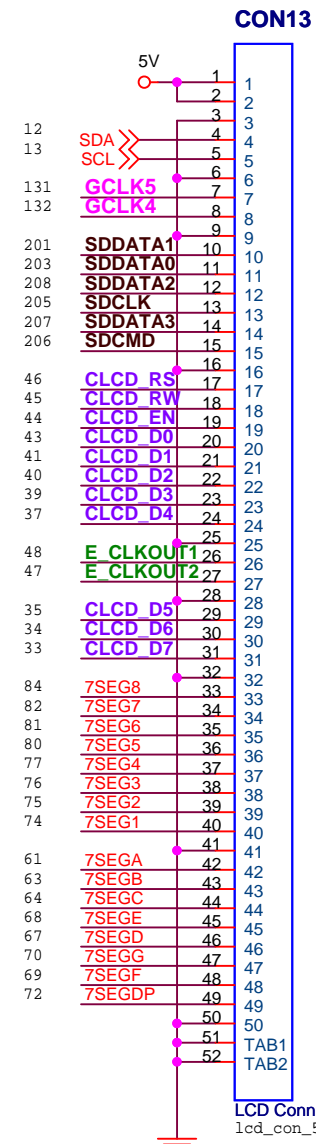
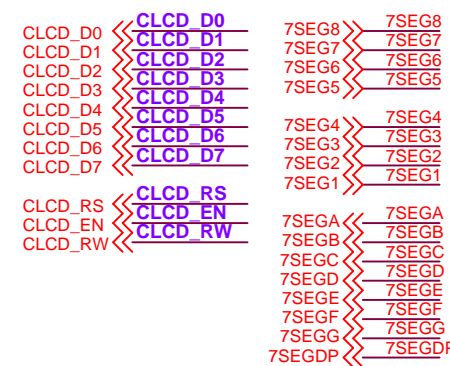
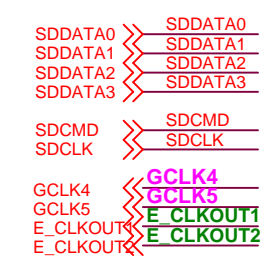
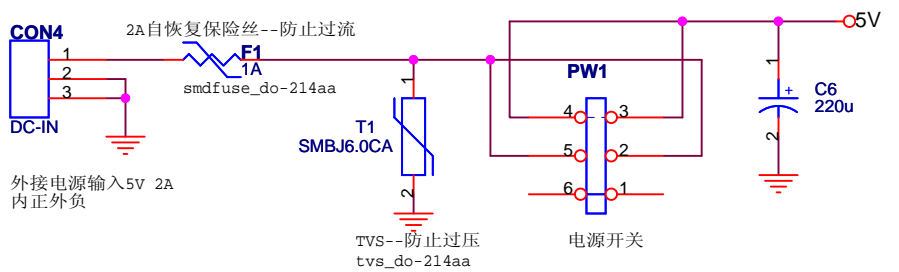
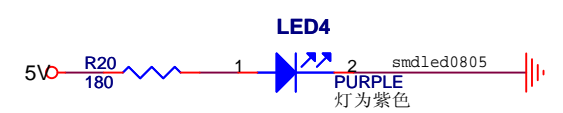
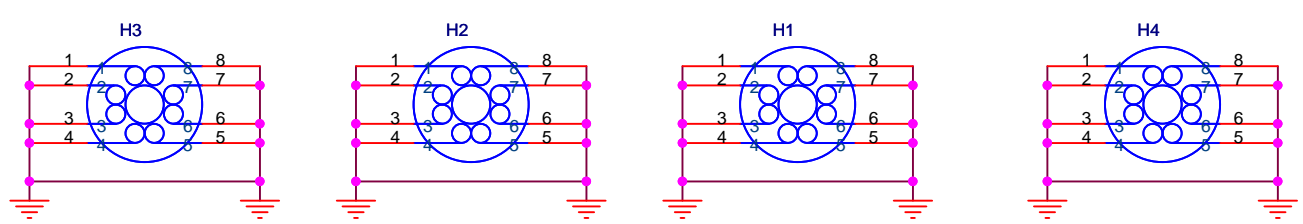


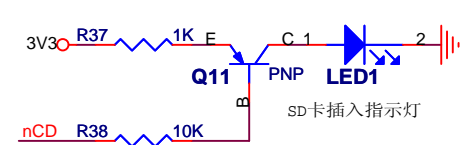
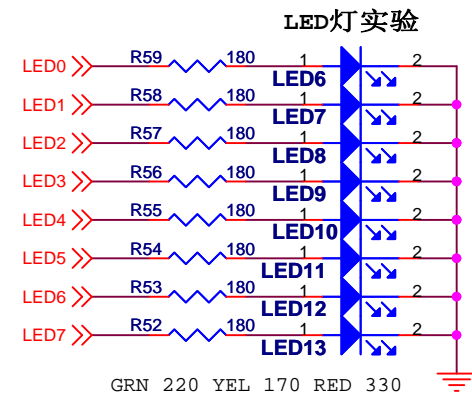
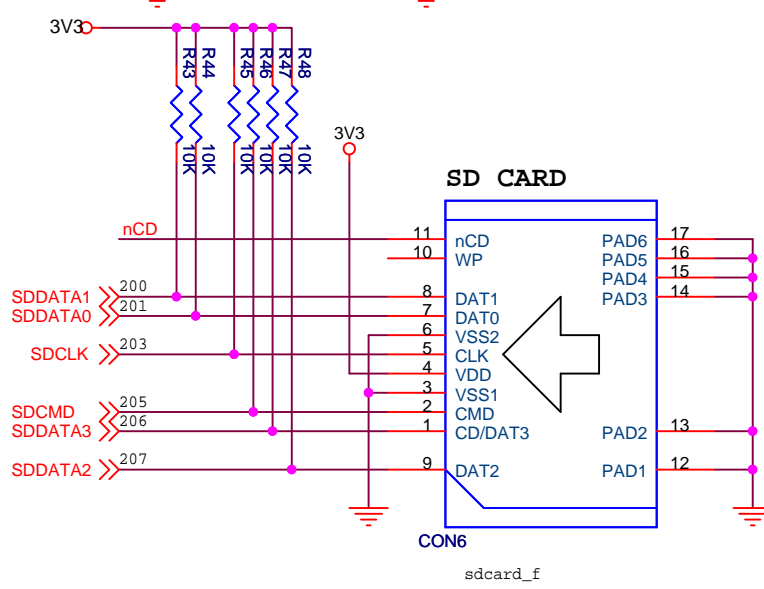
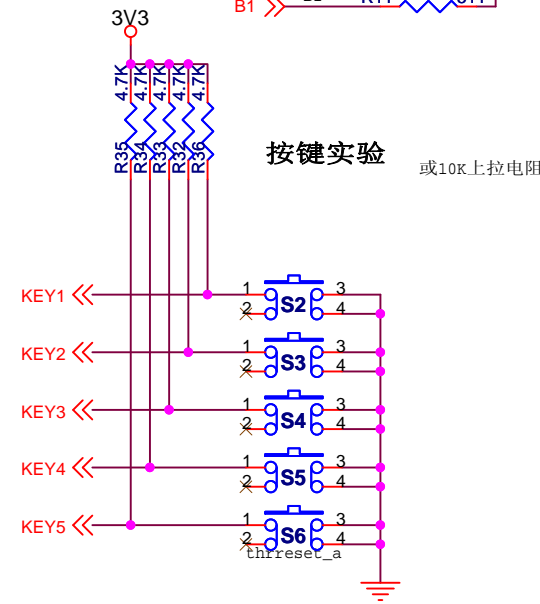
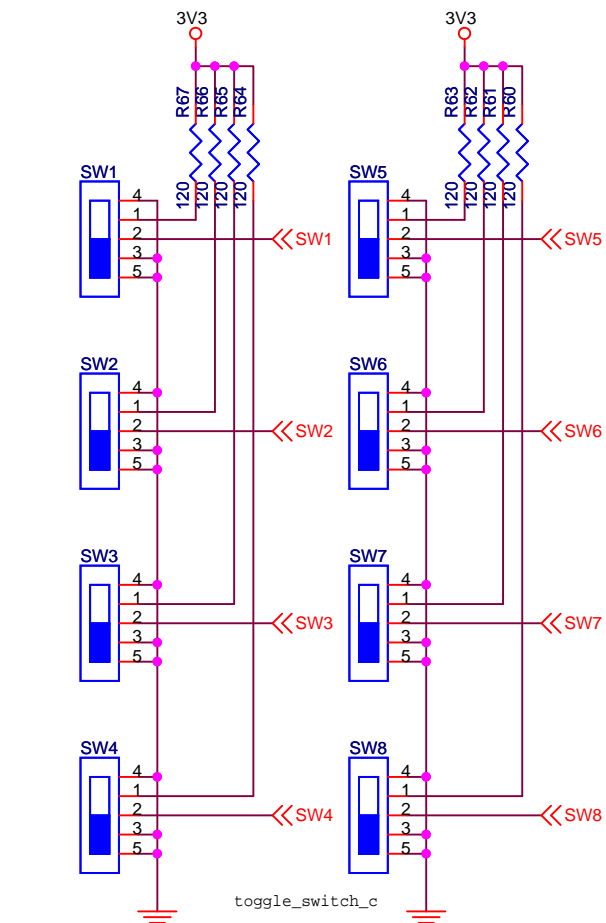
Title		
ASK2CB FPGA学习板原理图		
Size	Document Number	Rev
A3	fpga	1.0
Date:	Tuesday, August 24, 2010	Sheet 1 of 4



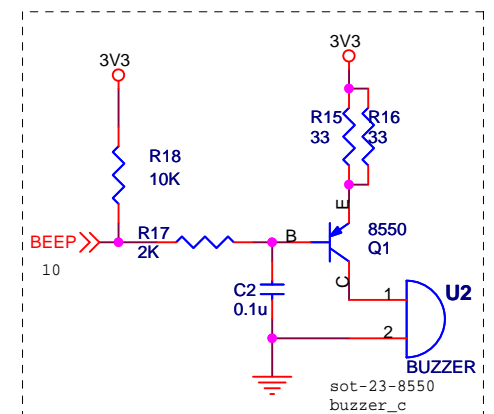
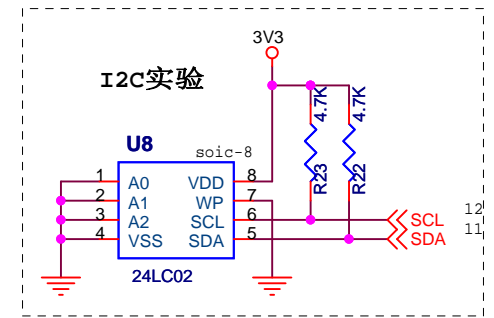
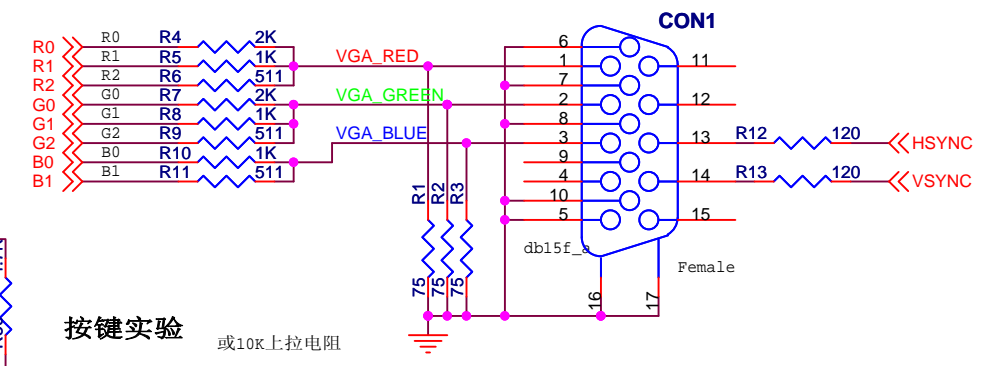
此接口兼容友晶terasic的DE0、DE2接口,可接友晶的外设



Title		
ASK2CB FPGA学习板原理图		
Size	Document Number	Rev
A4	Power	1.0
Date:	Monday, September 27, 2010	Sheet 1 of 4

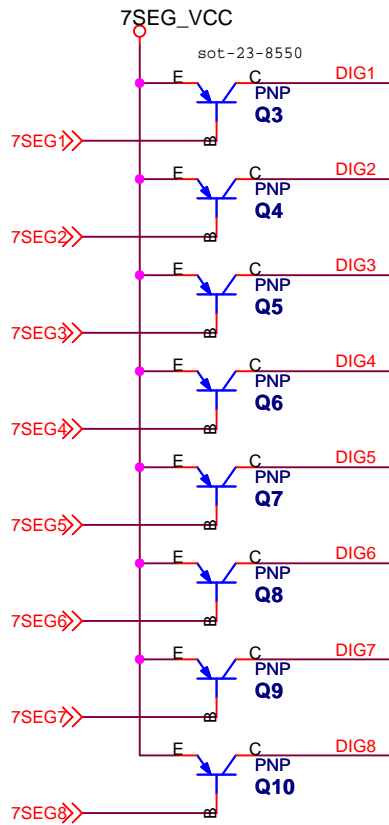
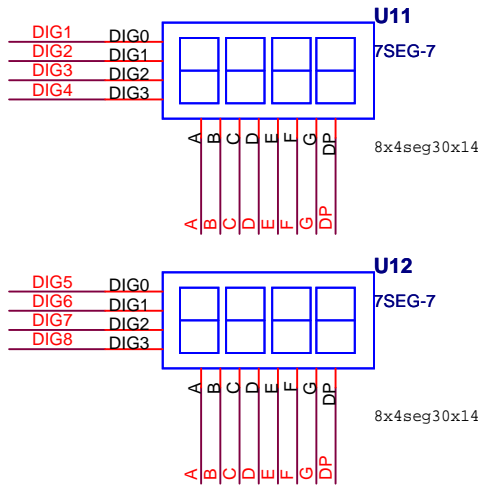


VGA实验

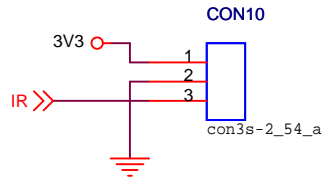
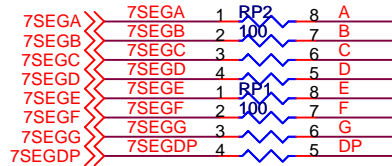
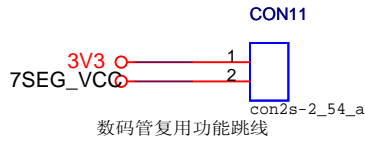
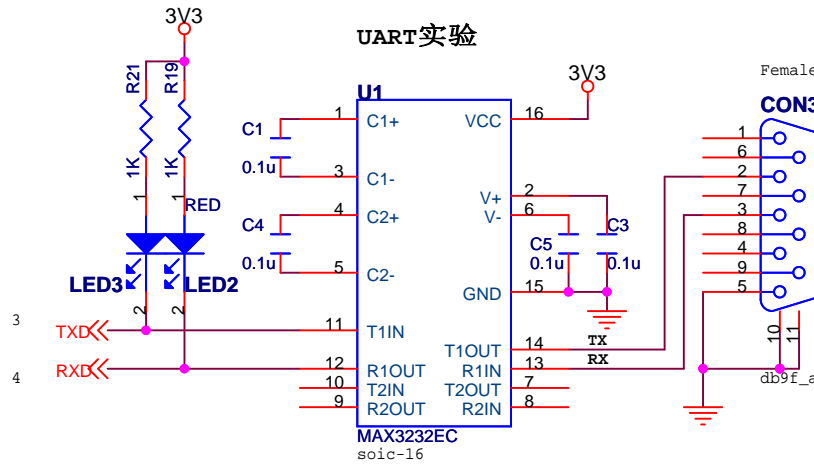


Title		
ASK2CB FPGA学习板原理图		
Size	Document Number	Rev
A4	sd, vga, led, beep, i2c	1.0
Date:	Friday, September 03, 2010	Sheet 1 of 4

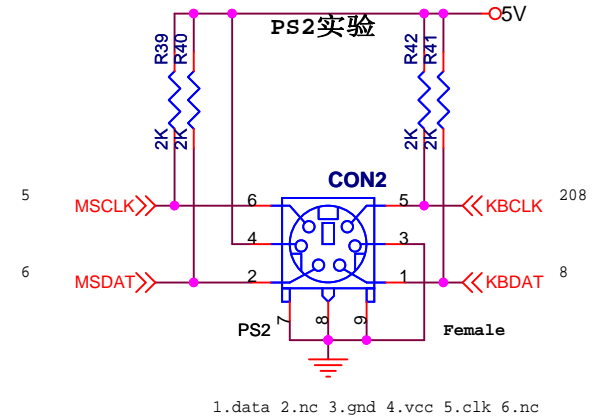
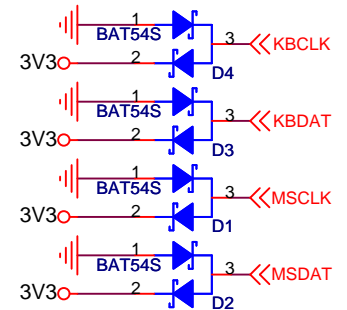
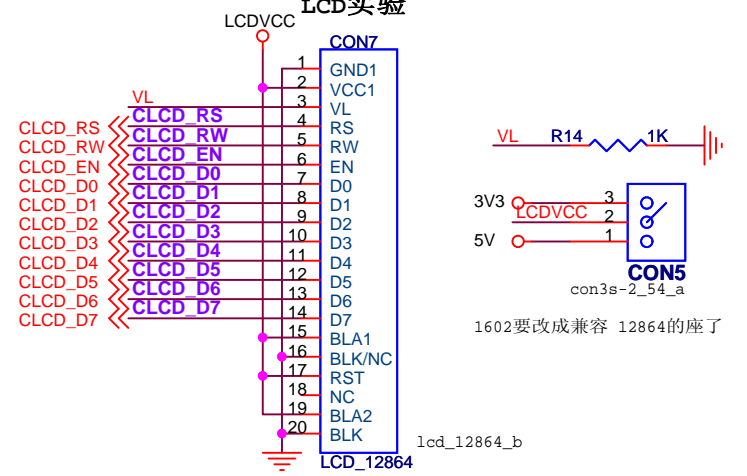
7段数码管实验



UART实验



LCD实验



Title		
ASK2CB FPGA学习板原理图		
Size	Document Number	Rev
A4	7seg, uart, 1602 char lcd, ps2	1.0
Date:	Monday, September 06, 2010	Sheet 1 of 4

