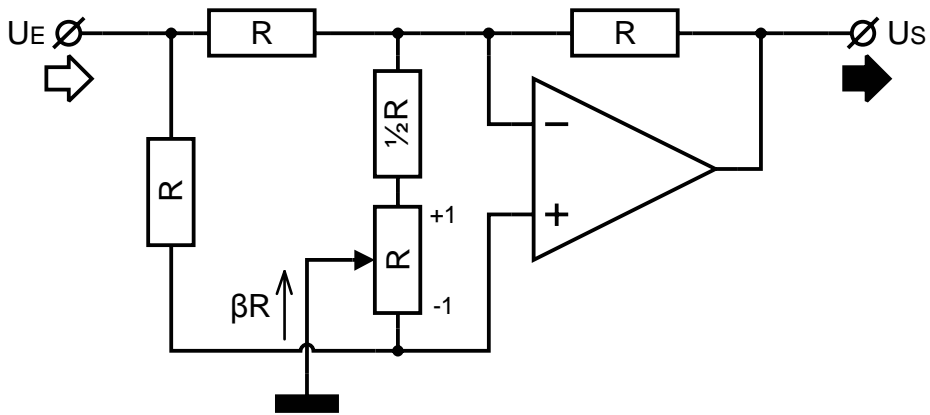
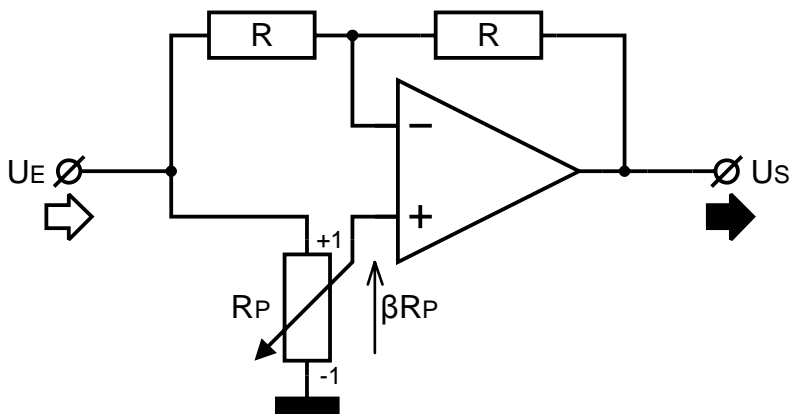


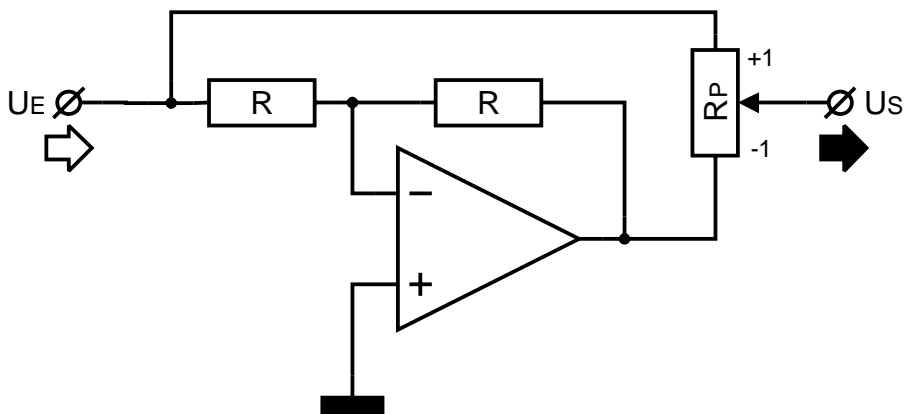
# Polarizer



$$Z_E = (1 + \beta) R$$



$$Z_E = R_P + R / (1 - \beta)$$



$$Z_E = 2 R_P$$