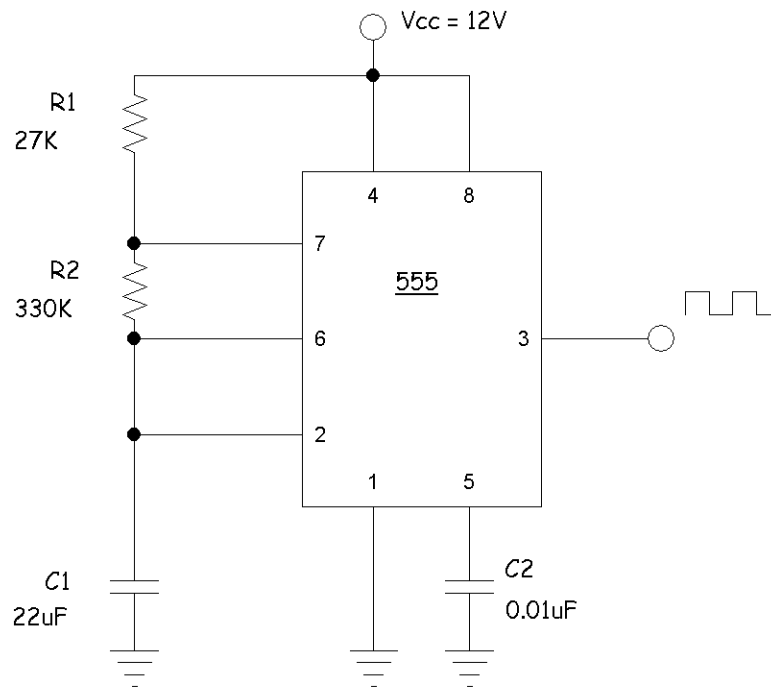


555 timer in astable mode



I_{supply}: 7.72 mA

Frequency: 0.095 rad/s

Duty cycle: 51.9%

Timer: Bipolar