

**SERVICE**

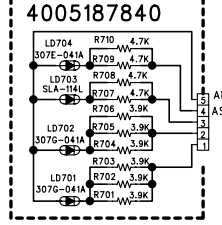
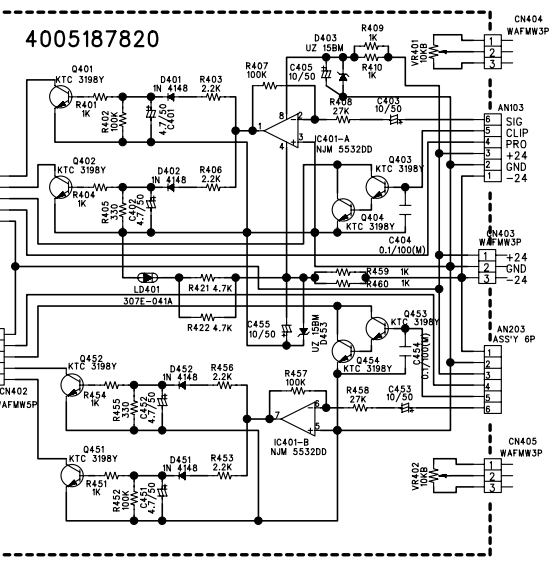
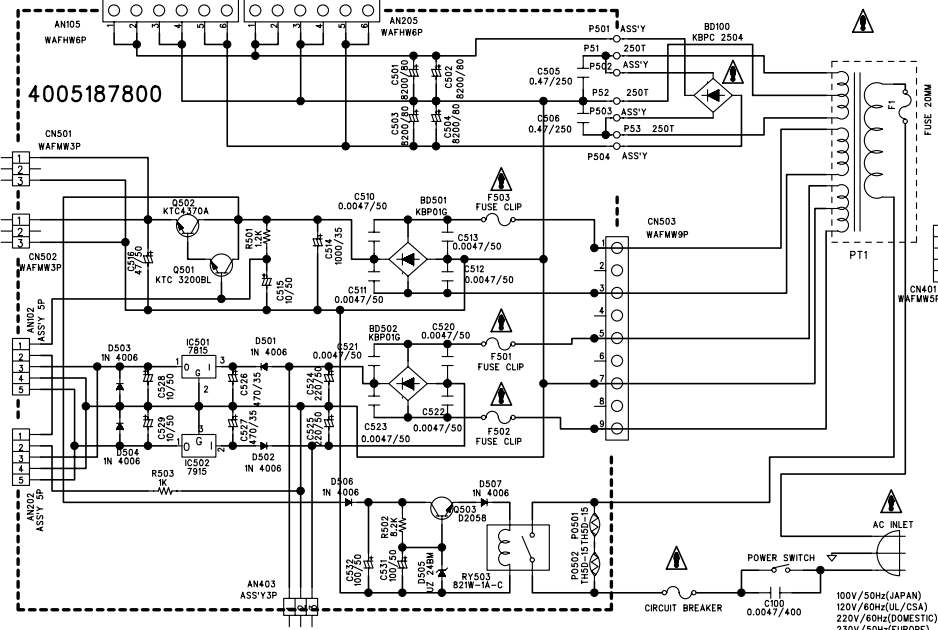
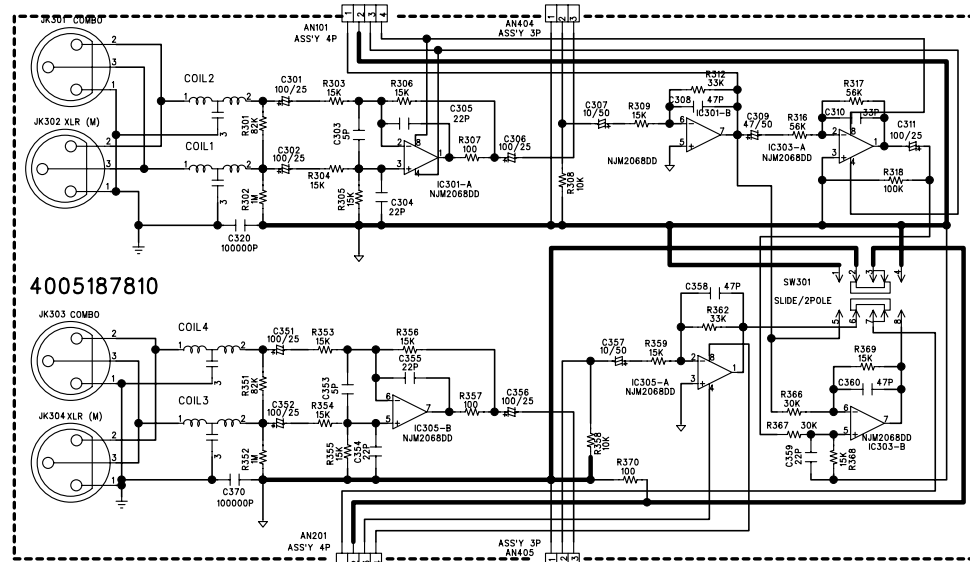
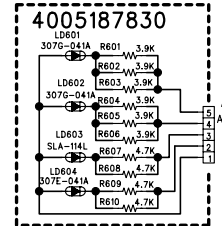
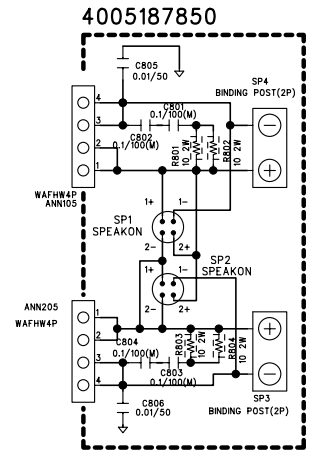
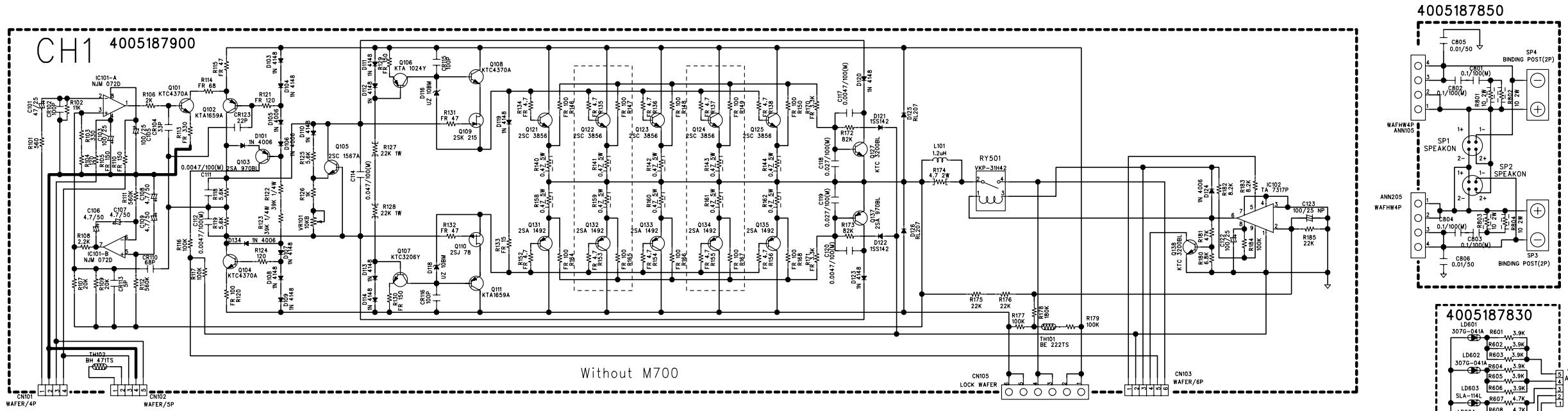
**MANUAL**

M A J E S T I C S E R I E S

**AMPLIFIER**

**M-500/700/1000**

**interM**

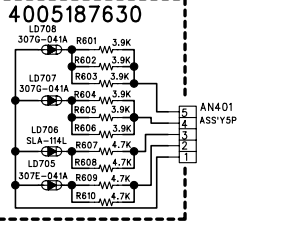
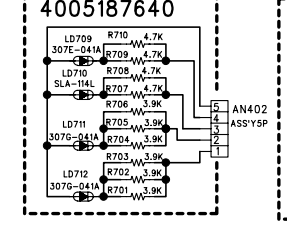
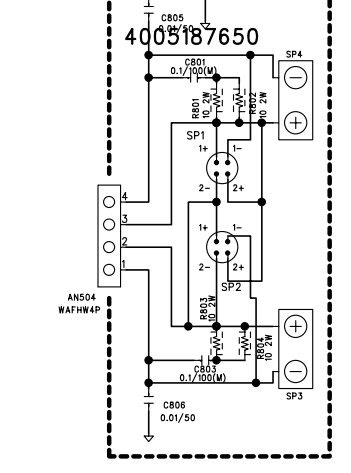
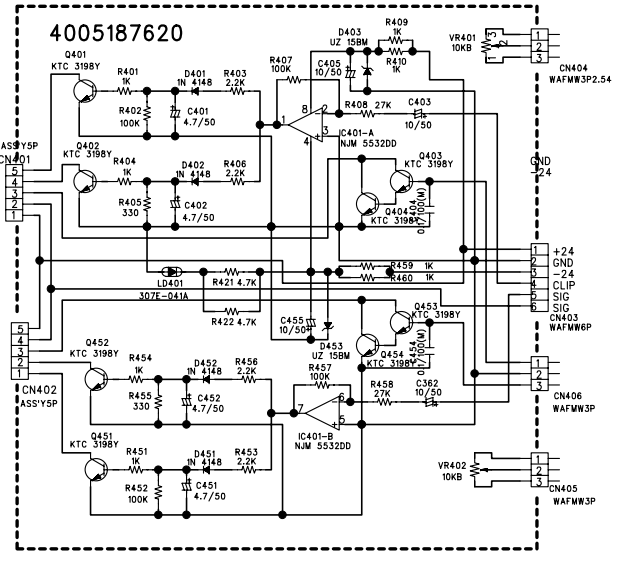
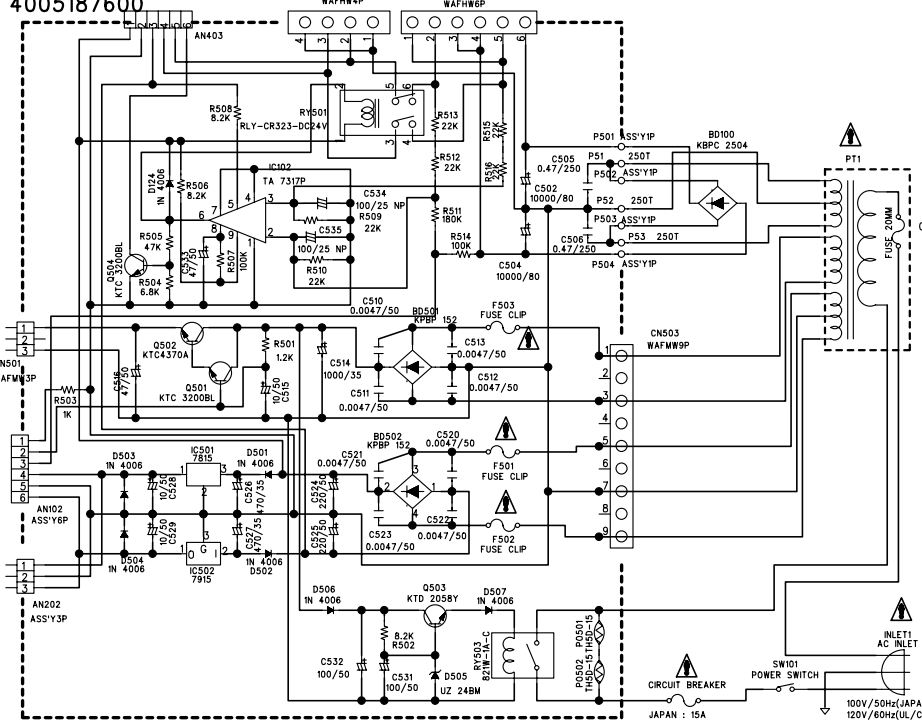
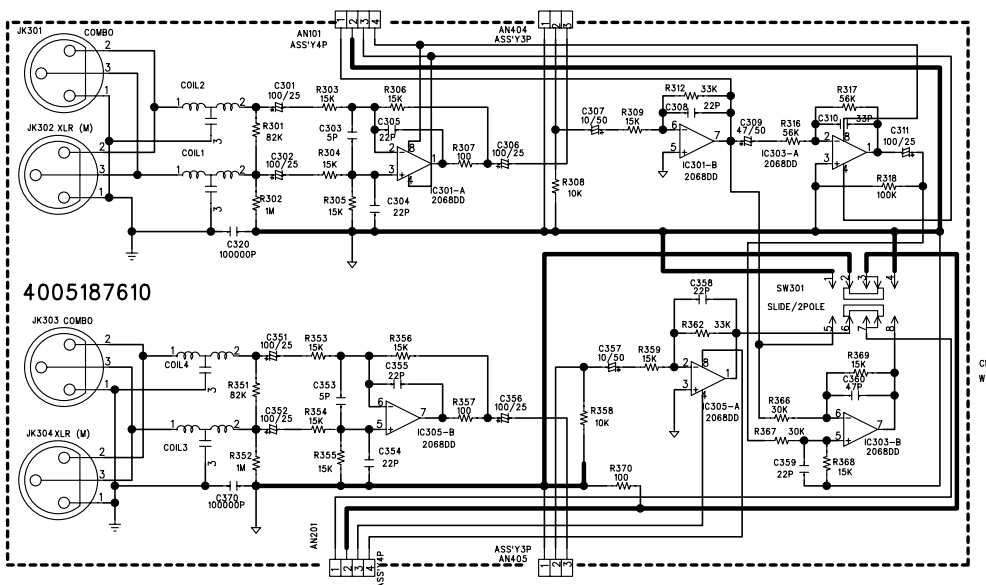
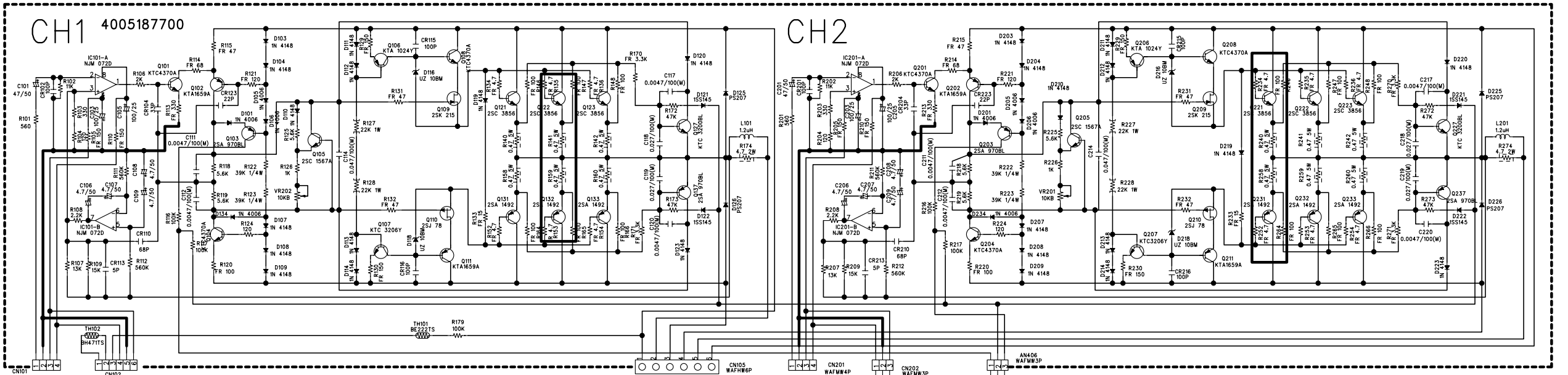
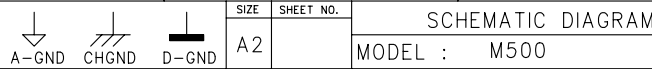


|                  |          |           |           |
|------------------|----------|-----------|-----------|
|                  |          | Q700      | Q1000     |
| R107             |          | 15K       | 20K       |
| R108             |          | 22K       | 20K       |
| R170,171         |          | F3.3K     | F3.3K     |
| R181             |          | 47K       | 82K       |
| C501,502,503,504 |          | 8200/80   | 8800/100  |
| F101             | JAPAN    | 15A       | 20A       |
|                  | UL/CSA   | 12A       | 20A       |
|                  | DOMESTIC | 7A        | 10A       |
|                  | EUROPE   | 7A        | 10A       |
| FAN1,2           |          | AB025H24B | F8025X24B |

**\*SERVICE INFORMATION**

- 1.RESISTANCE VALUES ARE INDICATED IN OHMS UNLESS OTHERWISE SPECIFIED. (K=1,000, M=1,000,000)
- 2.CAPACITANCE VALUES ARE SHOWN IN MICROFARADS UNLESS OTHERWISE NOTED. (P=MICRO-MICROFARADS)
- 3.ALL VOLTAGES ARE REFERRED TO GROUND UNDER THE FOLLOWING CONDITIONS.  
DC:NO SIGNAL EXCEPT WHERE INDICATED.  
AC:RMS
- 4.-PRECAUTION-  
A)ALL COMPONENTS MARKED MUST BE REPLACED ONLY WITH ORIGINAL TYPE SPECIFIED BY THE MANUFACTURER. INTER M CORPORATION AND INSTALLED AS THE ORIGINAL SPACE AND POSITIONED AWAY FROM ADJACENT COMPONENTS WHERE APPLICABLE.  
B)ALL SOLDERING MUST BE DONE IN A PROFESSIONAL MANNER USING SOLDER WHITE RESINE CORE ONLY.  
C)ALL COVERS, SHIELD AND INSULATING SPACERS MUST BE REPLACED BEFORE RETURNING APPLIANCE TO CUSTOMER.  
D)A DAMAGE POWER SUPPLY CORD MUST BE REPLACED BEFORE RETURNING TO CUSTOMER.  
E)DIELECTRIC TEST CONSISTING OF 120V AC 60HZ IS TO BE APPLIED BETWEEN BOTH BALDES OF THE POWER SUPPLY CORD ATTACHMENT PLUG. THE EXPOSE CONDUCTIVE SURFACE OF THE APPLIANCE FOR A PERIOD OF NOT LESS THAN ONE SECOND BEFORE RETURNING APPLIANCE TO CUSTOMER.  
F)THE MARKED RESISTORS ARE MOUNTED THE P.C.B ON SLEEVES.

|               |         |           |                         |    |    |    |    |    |    |    |    |    |       |         |          |      |      |           |                   |
|---------------|---------|-----------|-------------------------|----|----|----|----|----|----|----|----|----|-------|---------|----------|------|------|-----------|-------------------|
| COMPANY       | INTER.M | APPLICANT | REVISED NUMBER AND DATE | 1. | 2. | 3. | 4. | 5. | 6. | 7. | 8. | 9. | DRAWN | CHECKED | APPROVED | NOTE | SIZE | SHEET NO. | SCHEMATIC DIAGRAM |
| TYPE CODE     |         | M.P.      |                         |    |    |    |    |    |    |    |    |    |       |         |          |      | A2   |           | MODEL : M500      |
| APPROVED DATE |         |           |                         |    |    |    |    |    |    |    |    |    |       |         |          |      |      |           |                   |



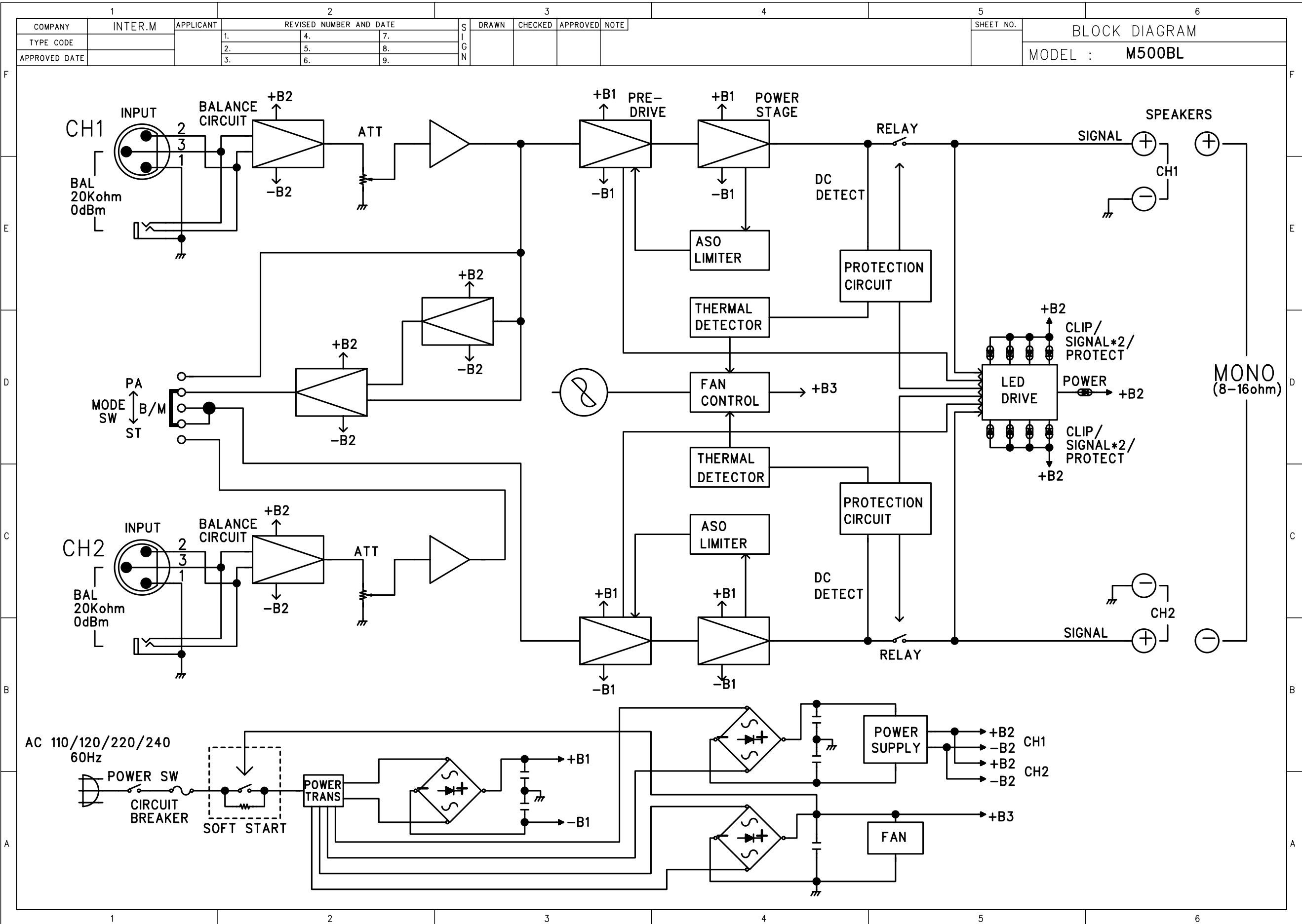
**\*SERVICE INFORMATION**

- RESISTANCE VALUES ARE INDICATED IN OHMS UNLESS OTHERWISE SPECIFIED.
- CAPACITANCE VALUES ARE SHOWN IN MICROFARADS UNLESS OTHERWISE NOTED.
- ALL VOLTAGES ARE REFERRED TO GROUND UNDER THE FOLLOWING CONDITIONS.  
DC:NO SIGNAL EXCEPT WHERE INDICATED.  
AC:RMS
- PRECAUTION-  
A) ALL COMPONENTS MARKED WITH A TRIANGLE MUST BE REPLACED ONLY WITH ORIGINAL TYPE SPECIFIED BY THE MANUFACTURER. INTER M CORPORATION AND INSTALLED AS THE ORIGINAL SPACE AND POSITIONED AWAY FROM ADJACENT COMPONENTS WHERE APPLICABLE.  
B) ALL SOLDERING MUST BE DONE IN A PROFESSIONAL MANNER USING SOLDER WHITE RESINE CORE ONLY.  
C) ALL COVERS, SHIELD AND INSULATING SPACERS MUST BE REPLACED BEFORE RETURNING APPLIANCE TO CUSTOMER.  
D) A DAMAGE POWER SUPPLY CORD MUST BE REPLACED BEFORE RETURNING TO CUSTOMER.  
E) DIELECTRIC TEST CONSISTING OF 120V AC 60HZ IS TO BE APPLIED BETWEEN BOTH BALDES OF THE POWER SUPPLY CORD ATTACHMENT PLUG THE EXPOSE CONDUCTIVE SURFACE OF THE APPLIANCE FOR A PERIOD OF NOT LESS THAN ONE SECOND BEFORE RETURNING APPLIANCE TO CUSTOMER.  
F) THE ~~3W~~ MARKED RESISTORS ARE MOUNTED THE P.C.B ON SLEEVES.

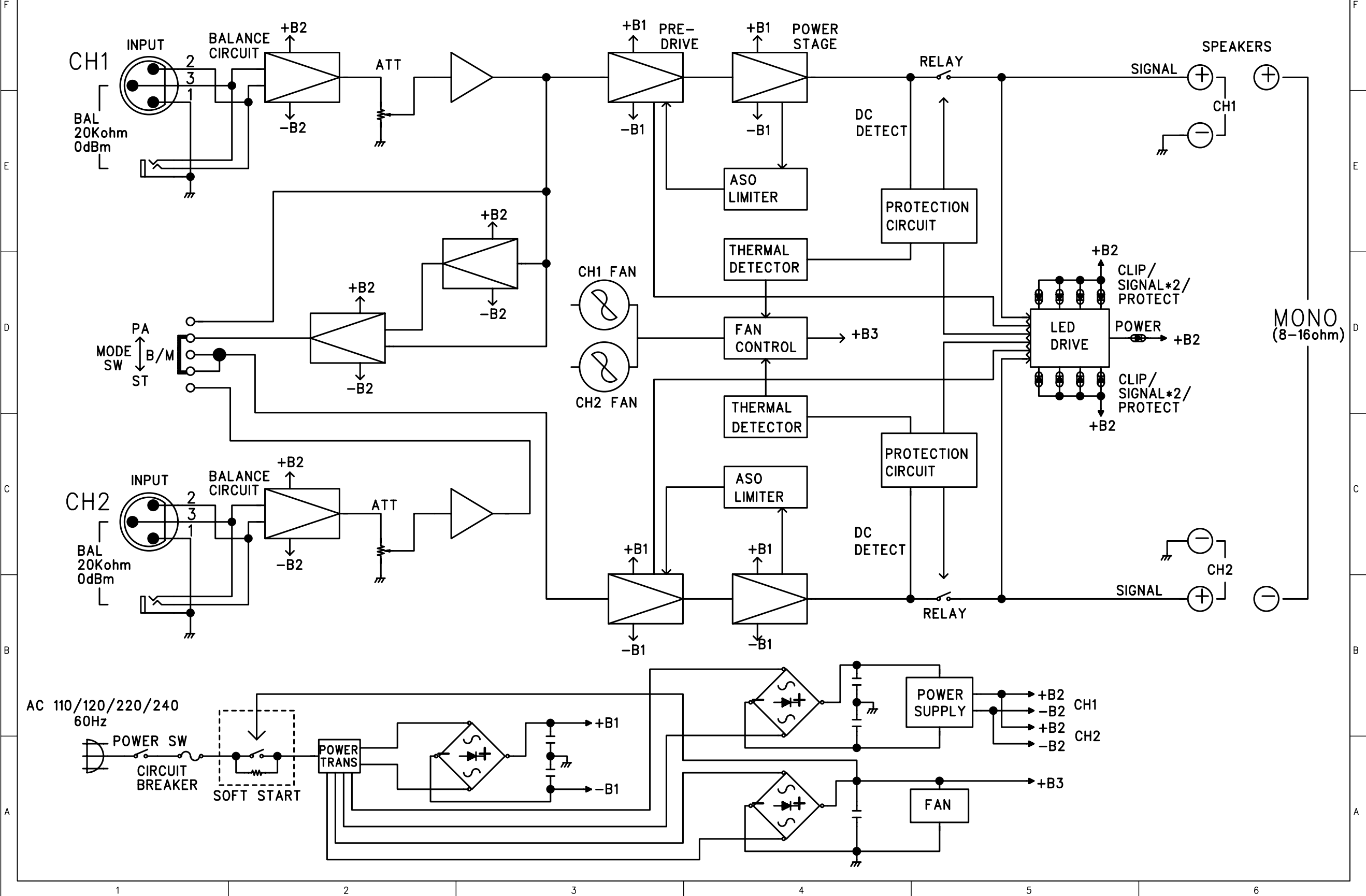
(K=1,000, M=1,000,000)  
(P=MICRO-MICROFARADS)

JAPAN : ISA  
U.S.A : 12A  
DOMESTIC : 6A  
EUROPE : 6A

100V/50Hz(JAPAN)  
120V/60Hz(U.S.A)  
220V/60Hz(DOMESTIC)  
230V/50Hz(EUROPE)

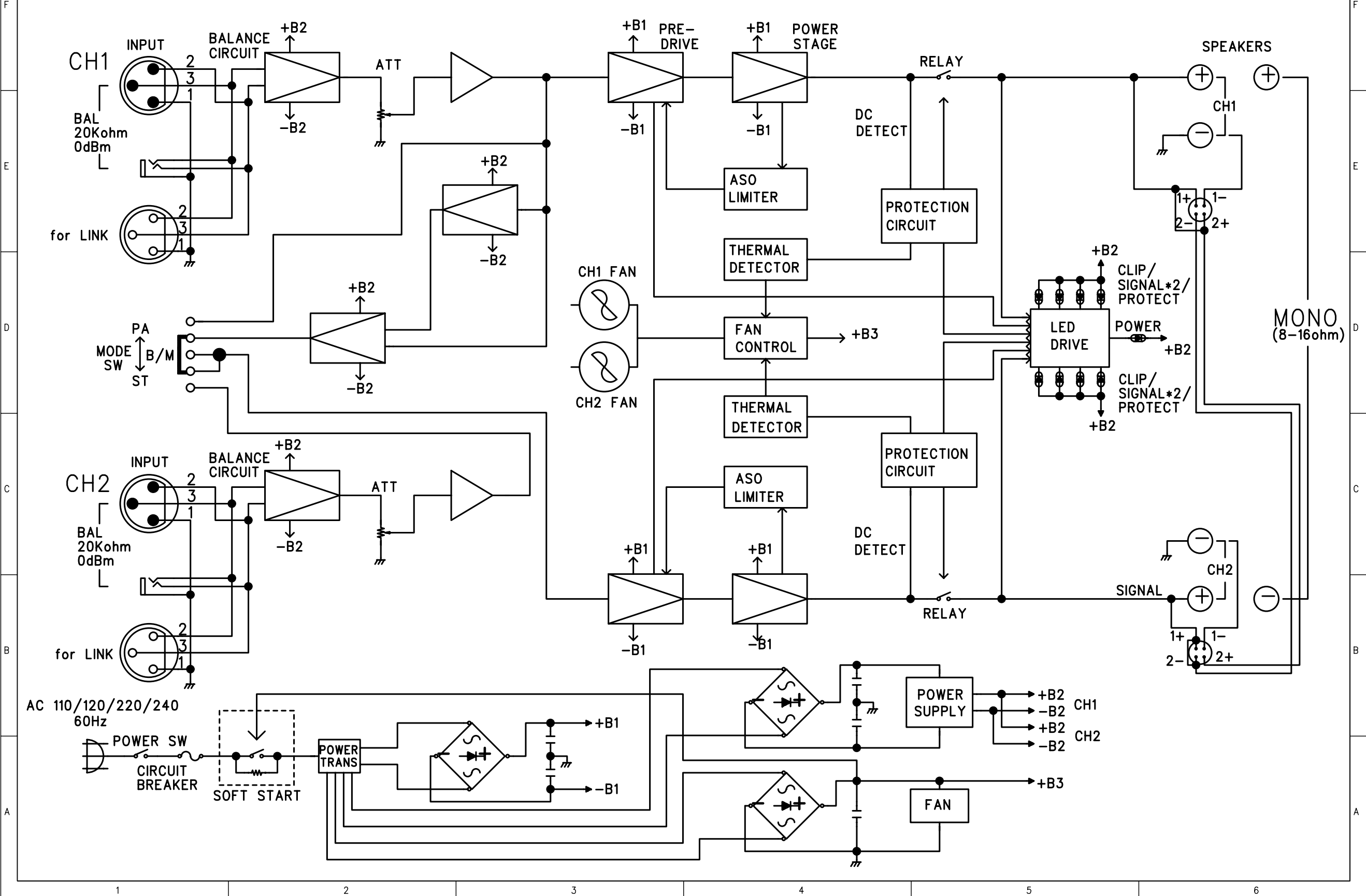


|               |         |           |                         |    |    |       |         |          |      |           |                     |
|---------------|---------|-----------|-------------------------|----|----|-------|---------|----------|------|-----------|---------------------|
| 1             | 2       |           | 3                       |    |    | 4     |         | 5        |      | 6         |                     |
| COMPANY       | INTER.M | APPLICANT | REVISED NUMBER AND DATE |    |    | DRAWN | CHECKED | APPROVED | NOTE | SHEET NO. | BLOCK DIAGRAM       |
| TYPE CODE     |         |           | 1.                      | 4. | 7. |       |         |          |      |           | MODEL : M700&1000BL |
| APPROVED DATE |         |           | 2.                      | 5. | 8. |       |         |          |      |           |                     |
|               |         |           | 3.                      | 6. | 9. |       |         |          |      |           |                     |



|               |         |           |                         |    |    |      |       |         |          |      |
|---------------|---------|-----------|-------------------------|----|----|------|-------|---------|----------|------|
| 1             | 2       |           | 3                       |    |    | 4    | 5     |         | 6        |      |
| COMPANY       | INTER.M | APPLICANT | REVISED NUMBER AND DATE |    |    | SIGN | DRAWN | CHECKED | APPROVED | NOTE |
| TYPE CODE     |         |           | 1.                      | 4. | 7. |      |       |         |          |      |
| APPROVED DATE |         |           | 2.                      | 5. | 8. |      |       |         |          |      |
|               |         |           | 3.                      | 6. | 9. |      |       |         |          |      |

SHEET NO. \_\_\_\_\_  
 BLOCK DIAGRAM  
 MODEL : M SERIES



## ELECTRICAL PARTS LIST (M-500/700/1000)

| Ref No.  | Part No.     | Description                    | Value         | Qty |
|--|--------------|--------------------------------|---------------|-----|
| <b>M500 AMP B'D(4005187700)</b>  |              |                                |               |     |
| CR102 CR115-116<br>CR201 CR215-216                                       | 3509101231-A | CAP CE B 100PF 50V K AXIAL     | 100P          | 6   |
| CR223 CR123  | 3529220311-A | CAP CE SL 22PF 50V J AXIAL     | 22P           | 2   |
| CR104 CR204  | 3529330311-A | CAP CE SL 33PF 50V J AXIAL     | 33P           | 2   |
| CR113 CR213  | 3529050311-A | CAP CE SL 5P 50V C AXIAL       | 5P            | 2   |
| CR110 CR210  | 3529680311-A | CAP CE SL 68PF 50V J AXIAL     | 68P           | 2   |
| L101 L201  | 2648099940   | COIL INDUCTOR 1.2UH            | 1.2uH         | 2   |
| CN105  | 4428596606   | LOCK WAFER LW-1143-06P         | WAFHW6P       | 1   |
| D101 D105-106 D134<br>D201 D205-206 D234                                 | 2058100996   | DIODE RECTIFIER LT1N4006(4007) | 1N 4006       | 8   |
| D121-122 D221-222  | 2058322100   | DIODE 1SS145 ROHM              | 1SS145        | 4   |
| D125-126 D225-226  | 2058100110   | DIODE RL207 PYUNG CHANG        | PS207         | 4   |
| D103-104 D107-114<br>D119-120 D123<br>D203-204 D207-214<br>D219-220 D223 | 2058304100   | DIODE IN4148M                  | 1N 4148       | 26  |
| C103 C105 C203 C205  | 3409210141-T | CAP AF RSG 100UF 25V 6 P       | 100/25        | 4   |
| C101 C201  | 3409247071-T | CAP AF RSG 47UF 50V 6 P        | 47/50         | 2   |
| C106-109 C206-209  | 3409247971-T | CAP AF RSG 4.7UF 50V 5 P       | 4.7/50        | 8   |
| Q109 Q209  | 2028811998   | FET N-CH 2SK215 HITACHI        | 2SK 215       | 2   |
| Q110 Q210  | 2028611998   | FET P-CH 2SJ 78 HITACHI        | 2SJ 78        | 2   |
| VR201-202  | 3248310320   | RES SEMI RH0615C100103         | 10KB          | 2   |
| C111-112 C117 C120<br>C211-212 C217 C220                                 | 3609472120-T | CAP MA 0.0047UF 100V J         | 0.0047/100(M) | 8   |
| C118-119 C218-219  | 3609273120-T | CAP MA 0.027UF 100V J          | 0.027/100(M)  | 4   |
| C114 C214  | 3609473120-T | CAP MA 0.047UF 100V            | 0.047/100(M)  | 2   |
| IC101 IC201  | 2118010232   | IC NJM072D JRC                 | NJM 072D      | 2   |
| R140-142 R158-160<br>R240-242 R258-260                                   | 3049478783   | RES CE 0.47 5W J T HAN NAE     | 0.47 5W       | 12  |
| R120 R146-148<br>R164-166 R220<br>R246-248 R264-266                      | 3089101275   | RES NFR 100 1/4W J R PHILKO    | FR 100        | 14  |
| R116-117 R179<br>R216-217  | 3009104973   | RES CF 100K 1/5W J N           | 100K          | 5   |
| R172-173 R272-273  | 3009473973   | RES CF 47K 1/5W J N            | 47K           | 4   |
| R102 R202  | 3009113973   | RES CF 11K 1/5W J N            | 11K           | 2   |
| R104 R124 R204 R224  | 3009121973   | RES CF 120 1/5W J N            | 120           | 4   |
| R121 R221  | 3079121275   | RES ERD-2FCVG 121T 1/4W R      | FR 120        | 2   |
| R105 R110 R129-130<br>R205 R210 R229-230                                 | 3079151275   | RES ERD-2FCVG 151T 1/4W R      | FR 150        | 8   |
| R170-171 R270-271  | 3089332275   | RES NFR 3.3K 1/4W J R PHILKO   | FR 3.3K       | 4   |
| R133 R233  | 3089150275   | RES NFR 15 1/4W J R PHILKO     | FR 15         | 2   |
| R107 R207  | 3009133973   | RES CF 13K 1/5W J N            | 13K           | 2   |
| R109 R209  | 3009153973   | RES CF 15K 1/5W J N            | 15K           | 2   |
| R126 R226  | 3009102973   | RES CF 1K 1/5W J N             | 1K            | 2   |
| R108 R208  | 3009222973   | RES CF 2.2K 1/5W J N           | 2.2K          | 2   |
| R127-128 R227-228  | 3039223475   | RES MO 22K 1W R                | 22K 1W        | 4   |
| R106 R206  | 3009202973   | RES CF 2K 1/5W J N             | 2K            | 2   |
| R103 R203  | 3009331973   | RES CF 330 1/5W J N            | 330           | 2   |
| R113 R213  | 3079331275   | RES ERD-2FCVG 331T 1/4W R      | FR 330        | 2   |
| R122-123 R222-223  | 3009393273   | RES CF 39K 1/4W JN             | 39K 1/4W      | 4   |
| R134-136 R152-154<br>R234-236 R252-254                                   | 3089479275   | RES NFR 4.7 1/4W J R PHILKO    | FR 4.7        | 12  |
| R174 R274  | 3039479572-F | RES MO 4.7 2W J N              | 4.7 2W        | 2   |
| R115 R131-132 R215<br>R231-232   | 3079470275   | RES ERD-2FCVG 470T 1/4W R      | FR 47         | 6   |
| R118-119 R125<br>R218-219 R225   | 3009562973   | RES CF 5.6K 1/5W J N           | 5.6K          | 6   |
| R101 R201  | 3009561973   | RES CF 560 1/5W J N            | 560           | 2   |
| R111-112 R211-212  | 3009564973   | RES CF 560K 1/5W J N           | 560K          | 4   |
| R114 R214  | 3079680275   | RES ERD-2FCVG 680T 1/4W R      | FR 68         | 2   |

|                                  |              |                               |            |   |
|----------------------------------|--------------|-------------------------------|------------|---|
| TH101                            | 2438007993   | POSISTOR PTFM04BE222Q2N34B0   | BE222TS    | 1 |
| TH102                            | 2438007995   | POSISTOR PTFM04BH471Q2N34B0   | BH471TS    | 1 |
| Q105 Q205                        | 2008400960   | TR NPN 2SC 1567A-R MATSUSHITA | 2SC 1567A  | 2 |
| Q121-123 Q221-223                | 2028427998   | TR 2SC 3856 W/ACC             | 2SC 3856   | 6 |
| Q107 Q207                        | 2008606107-T | KTC3206-Y-AT                  | KTC 3206Y  | 2 |
| Q127 Q227                        | 2008606108-T | KTC3200-BL-AT                 | KTC 3200BL | 2 |
| Q101 Q104 Q108 Q201<br>Q204 Q208 | 2028407990   | KTC4370A-Y-U                  | KTC 4370Y  | 6 |
| Q131-133 Q231-233                | 2028117994   | TR PNP 2SA 1492 W/ACC         | 2SA 1492   | 6 |
| Q102 Q111 Q202 Q211              | 2028107984   | KTA1659A-Y-U                  | 2SA 1659A  | 4 |
| Q103 Q137 Q203 Q237              | 2008207100-T | TR PNP 2SA 970BL-TPE2         | 2SA 970BL  | 4 |
| Q106 Q206                        | 2008206997-T | KTA1024-Y-AT                  | KTA 1024Y  | 2 |
| CN101 CN201                      | 4428595004   | LW5267/LWB0640/2.5MM-04P      | WAFMW4P    | 2 |
| CN102                            | 4428595006   | LW5267/LWB0640/2.5MM-06P      | WAFMW6P    | 1 |
| AN406 CN202                      | 4428595003   | CON WAFER A2505WV2-03P        | WAFMW3P    | 2 |
| D116 D118 D216 D218              | 2058502100   | DIODE ZENER UZ-10BM(1N5240B)  | UZ 10BM    | 4 |

**M500 POWER B'D(4005187600)**

|                               |              |                                |            |   |
|-------------------------------|--------------|--------------------------------|------------|---|
| BD501-502                     | 2058100987   | DIODE BRIDGE (KPBP) 152        | KPBP 152   | 2 |
| C505-506                      | 3619474153   | CAP POLY TM 0.47UF 250V        | 0.47/250   | 2 |
| C510-513 C520-523             | 3509472530-T | CAP CE F 0.0047UF 50V Z        | 0.0047/50  | 8 |
| AN105                         | 4428596606   | LOCK WAFER LW-1143-06P         | WAFHW6P    | 1 |
| CN503                         | 4428595009   | CON WAFER A2505WV2-09P         | WAFMW9P    | 1 |
| D124 D501-504<br>D506-507     | 2058100996   | DIODE RECTIFIER LT1N4006(4007) | 1N 4006    | 7 |
| C515 C528-529                 | 3409210071-T | CAP AF RSG 10UF 50V 5 P        | 10/50      | 3 |
| C531-532                      | 3409210171-T | CAP AF RSG 100UF 50V 8 P       | 100/50     | 2 |
| C534-535                      | 3409810141-T | CAP AF NP 100UF 25V            | 100/25 NP  | 2 |
| C516 C533                     | 3409247071-T | CAP AF RSG 47UF 50V 6 P        | 47/50      | 2 |
| C514                          | 3408210261   | CAP RSG 1000UF 35V SNAP 16 P   | 1000/35    | 1 |
| C526-527                      | 3408247169   | CAP AF SG 470UF 35V            | 470/35     | 2 |
| C502 C504                     | 3419010355   | CAP LPW 10000UF/80V(JAMICON)K  | 10000/80   | 2 |
| C524-525                      | 3409222171-T | CAP AF RSG 220UF 50V SG 10 P   | 220/50     | 2 |
| F501-503                      | 4458999110   | FUSE CLIP 5*20                 | FUSE CLIP  | 3 |
| IC501                         | 2128610900   | IC KA7815 COMMON               | 7815       | 1 |
| IC502                         | 2128610800   | IC MC7915 COMMON               | 7915       | 1 |
| P51-53                        | 4465998210   | TERMINAL(250)PCB TAB           | 250T       | 3 |
| P501                          | 4355789207   | CON ASSY RED                   | ASSY1P     | 1 |
| P502-503                      | 4355789306   | CON ASSY 1P ORG                | ASSY1P     | 2 |
| P504                          | 4355789403   | CON ASSY 1P BLK                | ASSY1P     | 1 |
| R507 R514                     | 3009104973   | RES CF 100K 1/5W J N           | 100K       | 2 |
| R511                          | 3009184973   | RES CF 180K 1/5W J N           | 180K       | 1 |
| R509-510 R512-513<br>R515-516 | 3009223973   | RES CF 22K 1/5W J N            | 22K        | 6 |
| R505                          | 3009473973   | RES CF 47K 1/5W J N            | 47K        | 1 |
| R503                          | 3009102973   | RES CF 1K 1/5W J N             | 1K         | 1 |
| R504                          | 3009682973   | RES CF 6.8K 1/5W J N           | 6.8K       | 1 |
| R501                          | 3009122973   | RES CF 1.2K 1/5W J N           | 1.2K       | 1 |
| R502 R506 R508                | 3009822973   | RES CF 8.2K 1/5W J N           | 8.2K       | 3 |
| PO501-502                     | 2438209770   | THERMISTOR POWER TP 5D-15      | TH5D-15    | 2 |
| RY501                         | 5528009950   | RELAY HR-CR3A23 DC 24VH        | RLY DC24V  | 1 |
| RY503                         | 5528007200   | RELAY 821-W-1A-C DC24V         | 821W-1A-C  | 1 |
| IC102                         | 2118050410   | IC TA7317P TOSHIBA             | TA 7317P   | 1 |
| Q501 Q504                     | 2008606108-T | KTC3200-BL-AT                  | KTC 3220BL | 2 |
| Q502                          | 2028407990   | KTC4370A-Y-U                   | KTC 4370Y  | 1 |
| Q503                          | 2028406113   | KTD2058-Y-U                    | KTD 2058Y  | 1 |
| CN504                         | 4428596604   | LOCK WAFER LW-1143-04P         | WAFHW4P    | 1 |
| AN102 AN403                   | 4355801014   | CON ASSY 6P                    | ASSY6P     | 2 |
| AN202                         | 4355797219   | CON ASSY 3P                    | ASSY3P     | 1 |
| CN501                         | 4428595003   | LW5267/LWB0640/2.5MM-03P       | WAFMW3P    | 1 |
| D505                          | 2058502240   | DIODE ZENER UZ-24BM(1N5252B)   | UZ 24BM    | 1 |

**M500 INPUT B'D(4005187610)**

|                                    |              |                            |        |   |
|------------------------------------|--------------|----------------------------|--------|---|
| C320 C370                          | 3529103531-A | CAP CE F 10000PF 50V Z     | 10000P | 2 |
| C304-305 C308 C354-355<br>C358-359 | 3529220311-A | CAP CE SL 22PF 50V J AXIAL | 22P    | 7 |
| C310                               | 3529330311-A | CAP CE SL 33PF 50V J AXIAL | 33P    | 1 |



|  |              |                            |                   |    |
|--|--------------|----------------------------|-------------------|----|
| C360                                       | 3529470311-A | CAP CE SL 47PF 50V J AXIAL | 47P               | 1  |
| C303 C353                                  | 3529050311-A | CAP CE SL 5P 50V C AXIAL   | 5P                | 2  |
| COIL1-4                                    | 3908609980   | EMI FILTER 2200PF          | EMI FILTER 2200PF | 4  |
| C307 C357                                  | 3409210071-T | CAP AF RSG 10UF 50V 5 P    | 10/50             | 2  |
| C301-302 C306 C311<br>C351-352 C356        | 3409210141-T | CAP AF RSG 100UF 25V 6 P   | 100/25            | 7  |
| C309                                       | 3409247071-T | CAP AF RSG 47UF 50V 6 P    | 47/50             | 1  |
| JK301 JK303                                | 4438090310   | JACK COMBINATION CXLF-06L  | COMBO             | 2  |
| JK302 JK304                                | 4408194310   | XLR JACK (M) E503A0150N    | XLR (M)           | 2  |
| IC301 IC303 IC305                          | 2118010432   | IC NJM2068DD JRC           | 2068DD            | 3  |
| R307 R357 R370                             | 3009101973   | RES CF 100 1/5W J N        | 100               | 3  |
| R308 R358                                  | 3009103973   | RES CF 10K 1/5W J N        | 10K               | 2  |
| R318                                       | 3009104973   | RES CF 100K 1/5W J N       | 100K              | 1  |
| R303-306 R309<br>R353-356 R359<br>R368-369 | 3009153973   | RES CF 15K 1/5W J N        | 15K               | 12 |
| R302 R352                                  | 3009105973   | RES CF 1M 1/5W J N         | 1M                | 2  |
| R312 R362                                  | 3009333973   | RES CF 33K 1/5W J N        | 33K               | 2  |
| R366-367                                   | 3009303973   | RES CF 30K 1/5W J N        | 30K               | 2  |
| R316-317                                   | 3009563973   | RES CF 56K 1/5W J N        | 56K               | 2  |
| R301 R351                                  | 3009823973   | RES CF 82K 1/5W J N        | 82K               | 2  |
| SW301                                      | 4618999910   | SW SS65010-0203-9H-FN      | SLIDE/2POLE       | 1  |
| AN404                                      | 4355789717   | CON ASSY 3P VR             | ASSY3P            | 1  |
| AN405                                      | 4355789721   | CON ASSY 3P VR             | ASSY3P            | 1  |
| AN101                                      | 4355789806   | CON ASSY 4P INPUT          | ASSY4P            | 1  |
| AN201                                      | 4355789818   | CON ASSY 4P                | ASSY4P            | 1  |

#### M500 VR B'D(4005187620)

|  |              |                              |            |   |
|--|--------------|------------------------------|------------|---|
| D401-402 D451-452                        | 2058304100   | DIODE IN4148M                | 1N 4148    | 4 |
| C362 C403 C405 C455                      | 3409210071-T | CAP AF RSG 10UF 50V 5 P      | 10/50      | 4 |
| C401-402 C451-452                        | 3409247971-T | CAP AF RSG 4.7UF 50V 5 P     | 4.7/50     | 4 |
| VR401-402                                | 3228070100   | VR RK16311E0Z0113B           | 10KB       | 2 |
| LD401                                    | 2300050105   | LED LTL-307E-041A LITEON     | 307E-041A  | 1 |
| C404 C454                                | 3609104122-T | CAP MA 0.1UF 100V J SMALL    | 0.1/100(M) | 2 |
| IC401                                    | 2118010332   | IC NJM 5532DD JRC            | NJM 5532DD | 1 |
| R421-422                                 | 3009472973   | RES CF 4.7K 1/5W J N         | 4.7K       | 2 |
| R402 R407 R452 R457                      | 3009104973   | RES CF 100K 1/5W J N         | 100K       | 4 |
| R401 R404 R409-410<br>R451 R454 R459-460 | 3009102973   | RES CF 1K 1/5W J N           | 1K         | 8 |
| R403 R406 R453 R456                      | 3009222973   | RES CF 2.2K 1/5W J N         | 2.2K       | 4 |
| R408 R458                                | 3009273973   | RES CF 27K 1/5W J N          | 27K        | 2 |
| R405 R455                                | 3009331973   | RES CF 330 1/5W J N          | 330        | 2 |
| Q401-404 Q451-454                        | 2008606104-T | RES CF 330 1/5W J N          | KTC 3198Y  | 8 |
| CN401-402                                | 4428595005   | LW5267/LWB0640/2.5MM-05P     | ASSY5P     | 2 |
| CN403                                    | 4428595006   | LW5267/LWB0640/2.5MM-06P     | WAFMW6P    | 1 |
| CN404-406                                | 4428595003   | CON WAFER A2505VV2-03P       | WAFMW3P    | 3 |
| D403 D453                                | 2058502150   | DIODE ZENER UZ-15BM(1N5245B) | UZ 15BM    | 2 |

#### M500 LED1 B'D(4005187630)

|           |            |                              |           |   |
|-----------|------------|------------------------------|-----------|---|
| LD707-708 | 2300052105 | LED LTL-307G-041A LITEON     | 307G-041A | 2 |
| LD705     | 2300050105 | LED LTL-307E-041A LITEON     | 307E-041A | 1 |
| LD706     | 2301053105 | LED SLA-114L SHINYOUNG (ORG) | SLA-114L  | 1 |
| R601-606  | 3009392973 | RES CF 3.9K 1/5W J N         | 3.9K      | 6 |
| R607-610  | 3009472973 | RES CF 4.7K 1/5W J N         | 4.7K      | 4 |
| AN401     | 4355824503 | CON ASSY 5P                  | ASSY5P    | 1 |

#### M500 LED2 B'D(4005187640)

|           |            |                              |           |   |
|-----------|------------|------------------------------|-----------|---|
| LD709     | 2300050105 | LED LTL-307E-041A LITEON     | 307E-041A | 1 |
| LD710     | 2301053105 | LED SLA-114L SHINYOUNG (ORG) | SLA-114L  | 1 |
| LD711-712 | 2300052105 | LED LTL-307G-041A LITEON     | 307G-041A | 2 |
| R701-706  | 3009392973 | RES CF 3.9K 1/5W J N         | 3.9K      | 6 |
| R707-710  | 3009472973 | RES CF 4.7K 1/5W J N         | 4.7K      | 4 |
| AN402     | 4355824503 | CON ASSY 5P                  | ASSY5P    | 1 |

#### M500 OUTPUT B'D(4005187650)

|           |              |                                |            |   |
|-----------|--------------|--------------------------------|------------|---|
| C805-806  | 3509103530-T | CAP CE F 0.01UF 50V Z          | 0.01/50    | 2 |
| SP1-2     | 4438091710   | JACK SPEAKON (PCB INSERT TYPE) | SPEAKON    | 2 |
| C801 C803 | 3609104120-T | CAP MA 0.1UF 100V J            | 0.1/100(M) | 2 |

|          |              |                        |                  |   |
|----------|--------------|------------------------|------------------|---|
| R801-804 | 3039100572-F | RES MO 10 2W J N       | 10 2W            | 4 |
| SP3-4    | 4438190410   | BINDING POST(2P)       | BINDING POST(2P) | 2 |
| AN504    | 4428596604   | LOCK WAFER LW-1143-04P | WAFHW4P          | 1 |

**ASSY**

|           |  |   |                              |   |
|-----------|--|---|------------------------------|---|
| INLET1    | 4448997410   | AC INLET 6100.4315 250T SCURTE  | AC INLET                     | 1 |
| F101      | 5568223433   | CIRCUIT BREAKER W28-XQ1A-6A   | CIRCUIT BREAKER              | 1 |
| SW101     | 4625996611   | SW POWER(C1350AT) ARCOLECTRIC   | POWER SWITCH                 | 1 |
| FAN1      | 7308999013   | FAN (F8025X24B-FS)  | FAN1                         | 1 |
| BD100     | 2058100103   | DIODE KBPC-2504 LUG TYPE  | KBPC 2504                    | 1 |
| CN401-402 | 4428595005   | LW5267/LWB0640/2.5MM-05P  | ASSY5P                       | 2 |
| CON ASSY  | 4355892906   | CON ASSY 4P   | CON ASSY 4P                  | 1 |
| CON ASSY  | 4355789117   | CON ASSY AC   | CON ASSY AC                  | 1 |
| CON ASSY  | 4355893013   | CONNECTOR ASSY 6P POWER P3500   | CONNECTOR ASSY 6P POWER P35  | 1 |
| ASSY      | 4355810803   | GND TERMINAL ASSY (REF-2300)  | GND TERMINAL ASSY (REF-2300) | 1 |
| F1        | 5508412239   | FUSE#218T 20MM 1A/250V UCSKJ  | FUSE 20MM                    | 1 |
| PT1       | 2828067221<br>2828067231<br>2828067241<br>2828067211<br>2828067231 | TRANS POWER 220V M-500<br>TRANS POWER 230V M-500<br>TRANS POWER 240V M-500<br>TRANS POWER 120V M-500<br>TRANS POWER 230V M-500            | C<br>D<br>E<br>R             |   |
| AC CORD   | 4308997310<br>4308996710<br>4308998000<br>4308997710<br>4308999410 | AC CORD DOME 3-CORES<br>AC CORD (WITHOUT PLUG)<br>AC CORD POWER FOR SAA<br>CORD AC(UL3 125V 13A)MODEL7000<br>AC CORD V+VII6A-250VHOVV-F3G | C<br>D<br>E<br>R             |   |
| AN501     |  |   | ASSY3P                       | 1 |

**M-700/1000 AMP B'D(4005187900)**

|  |              |                                |               |    |
|--|--------------|--------------------------------|---------------|----|
| CR102 CR115-116                            | 3509101231-A | CAP CE B 100PF 50V K AXIAL     | 100P          | 3  |
| CR123                                      | 3529220311-A | CAP CE SL 22PF 50V J AXIAL     | 22P           | 1  |
| CR104                                      | 3529330311-A | CAP CE SL 33PF 50V J AXIAL     | 33P           | 1  |
| CR113                                      | 3509509030-T | CAP CE SL 5PF 50V J            | 5P            | 1  |
| CR110                                      | 3529680311-A | CAP CE SL 68PF 50V J AXIAL     | 68P           | 1  |
| L101                                       | 2648099940   | COIL INDUCTOR 1.2UH            | 1.2uH         | 1  |
| CN105                                      | 4428596606   | LOCK WAFER LW-1143-06P         | LOCK WAFER    | 1  |
| D101 D105-106<br>D124 D134                 | 2058100996   | DIODE RECTIFIER LT1N4006(4007) | 1N 4006       | 5  |
| D121-122                                   | 2058322100   | DIODE 1SS145 ROHM              | 1SS142        | 2  |
| D126 D125                                  | 2058100110   | DIODE RL207 PYUNG CHANG        | RL207         | 2  |
| D103-104 D107-114<br>D119-120 D123         | 2058304100   | DIODE IN4148M                  | 1N 4148       | 13 |
| C123                                       | 3409810141-T | CAP AF NP 100UF 25V            | 100/25 NP     | 1  |
| C103 C105 C122                             | 3409210141-T | CAP AF RSG 100UF 25V 6 P       | 100/25        | 3  |
| C101                                       | 3409247041-T | CAP AF RSG 47UF 25V 5 P        | 47/25         | 1  |
| C106-109                                   | 3409247971-T | CAP AF RSG 4.7UF 50V 5 P       | 4.7/50        | 4  |
| Q109                                       | 2028811998   | FET N-CH 2SK215 HITACHI        | 2SK 215       | 1  |
| Q110                                       | 2028611998   | FET P-CH 2SJ 78 HITACHI        | 2SJ 78        | 1  |
| VR101                                      | 3248310320   | RES SEMI RH0615C100103         | 10KB          | 1  |
| C111-112 C117 C120                         | 3609472120-T | CAP MA 0.0047UF 100V J         | 0.0047/100(M) | 4  |
| C118-119                                   | 3609273120-T | CAP MA 0.027UF 100V J          | 0.027/100(M)  | 2  |
| C114                                       | 3609473120-T | CAP MA 0.047UF 100V            | 0.047/100(M)  | 1  |
| IC101                                      | 2118010232   | IC NJM072D JRC                 | NJM 072D      | 1  |
| R140 R142 R144 R158<br>R160 R162(for M700) | 3049478783   | RES CE 0.47 5W J T HAN NAE     | 0.47 5W       | 6  |
| R140-144 R158-162(for M1000)               | 3049478783   | RES CE 0.47 5W J T HAN NAE     | 0.47 5W       | 10 |
| R120 R146-150<br>R164-168                  | 3089101275   | RES NFR 100 1/4W J R PHILKO    | FR 100        | 11 |
| R116-117 R177 R179<br>R184                 | 3009104973   | RES CF 100K 1/5W J N           | 100K          | 5  |
| R172-173(for M700)                         | 3009473973   | RES CF 47K 1/5W J N            | 47K           | 2  |
| R172-173(for M1000)                        | 3009823973   | RES CF 82K 1/5W J N            | 82K           | 2  |
| R102                                       | 3009113973   | RES CF 11K 1/5W J N            | 11K           | 1  |
| R104 R124                                  | 3009121973   | RES CF 120 1/5W J N            | 120           | 2  |
| R121                                       | 3079121275   | RES ERD-2FCVG 121T 1/4W R      | FR 120        | 1  |
| R105 R110 R129-130                         | 3079151275   | RES ERD-2FCVG 151T 1/4W R      | FR 150        | 4  |
| R170-171                                   | 3089332275   | RES NFR 3.3K 1/4W J R PHILKO   | FR 3.3K       | 2  |

|                          |              |                              |            |    |
|--------------------------|--------------|------------------------------|------------|----|
| R133                     | 3089150275   | RES NFR 15 1/4W J R PHILKO   | FR 15      | 1  |
| R178                     | 3009184973   | RES CF 180K 1/5W J N         | 180K       | 1  |
| R107(for M700,CHAMP2350) | 3009223973   | RES CF 22K 1/5W J N          | 22K        | 1  |
| R109(for M700,CHAMP2500) | 3009133973   | RES CF 13K 1/5W J N          | 13K        | 1  |
| R107 R109                | 3009203973   | RES CF 20K 1/5W J N          | 20K        | 2  |
| R126                     | 3009102973   | RES CF 1K 1/5W J N           | 1K         | 1  |
| R108                     | 3009222973   | RES CF 2.2K 1/5W J N         | 2.2K       | 1  |
| R175-176 R185            | 3009223973   | RES CF 22K 1/5W J N          | 22K        | 3  |
| R127-128                 | 3039223475   | RES MO 22K 1W R              | 22K 1W     | 2  |
| R106                     | 3009202973   | RES CF 2K 1/5W J N           | 2K         | 1  |
| R103                     | 3009331973   | RES CF 330 1/5W J N          | 330        | 1  |
| R113                     | 3079331275   | RES ERD-2FCVG 331T 1/4W R    | FR 330     | 1  |
| R122-123                 | 3009393273   | RES CF 39K 1/4W JN           | 39K 1/4W   | 2  |
| R134-138 R152-156        | 3089479275   | RES NFR 4.7 1/4W J R PHILKO  | FR 4.7     | 10 |
| R174                     | 3039479572-F | RES MO 4.7 2W J N            | 4.7 2W     | 1  |
| R115 R131-132            | 3079470275   | RES ERD-2FCVG 470T 1/4W R    | FR 47      | 3  |
| R181                     | 3009473973   | RES CF 47K 1/5W J N          | 47K        | 1  |
| R118-119 R125            | 3009562973   | RES CF 5.6K 1/5W J N         | 5.6K       | 3  |
| R101                     | 3009561973   | RES CF 560 1/5W J N          | 560        | 1  |
| R111-112                 | 3009564973   | RES CF 560K 1/5W J N         | 560K       | 2  |
| R180                     | 3009682973   | RES CF 6.8K 1/5W J N         | 6.8K       | 1  |
| R114                     | 3079680275   | RES ERD-2FCVG 680T 1/4W R    | FR 68      | 1  |
| R182-183                 | 3009822973   | RES CF 8.2K 1/5W J N         | 8.2K       | 2  |
| IC102                    | 2118050410   | IC TA7317P TOSHIBA           | TA 7317P   | 1  |
| TH101                    | 2438007993   | POSISTOR PTFM04BE222Q2N34B0  | BE 222TS   | 1  |
| TH102                    | 2438007995   | POSISTOR PTFM04BH471Q2N34B0  | BH 471TS   | 1  |
| Q105                     | 2008400960   | POSISTOR PTFM04BH471Q2N34B0  | 2SC 1567A  | 1  |
| Q121 Q123 Q125(for M700) | 2028427998   | TR 2SC 3856 W/ACC            | 2SC 3856   | 3  |
| Q121-125(for M1000)      | 2028427998   | TR 2SC 3856 W/ACC            | 2SC 3856   | 5  |
| Q107                     | 2008606107-T | KTC3206-Y-AT                 | KTC 3206Y  | 1  |
| Q127 Q138                | 2008606108-T | KTC3200-BL-AT                | KTC 3200BL | 2  |
| Q101 Q104 Q108           | 2028407990   | KTC4370A-Y-U                 | KTC4370A   | 3  |
| Q131 Q133 Q135(for M700) | 2028117994   | TR PNP 2SA 1492 W/ACC        | 2SA 1492   | 5  |
| Q131-135(for M1000)      | 2028117994   | TR PNP 2SA 1492 W/ACC        | 2SA 1492   | 5  |
| Q103 Q137                | 2008207100-T | TR PNP 2SA 970BL-TPE2        | 2SA 970BL  | 2  |
| Q102 Q111                | 2028107984   | KTA1659A-Y-U                 | KTA1659A   | 2  |
| Q106                     | 2008206997-T | KTA1024-Y-AT                 | KTA 1024Y  | 1  |
| RY501                    | 5528007700   | RELAY AZ971-1A DC24V         | VKP-31H42  | 1  |
| CN101                    | 4428595004   | CON WAFER A2505WV2-04P       | WAFER/4P   | 1  |
| CN102                    | 4428595005   | LW5267/LWB0640/2.5MM-05P     | WAFER/5P   | 1  |
| CN103                    | 4428595006   | LW5267/LWB0640/2.5MM-06P     | WAFER/6P   | 1  |
| D116 D118                | 2058502100   | DIODE ZENER UZ-10BM(1N5240B) | UZ 10BM    | 2  |

#### M-700/1000 POWER B'D(4005187800)

|                     |              |                                |           |   |
|---------------------|--------------|--------------------------------|-----------|---|
| BD501-502           | 2058100979   | DIODE BRIDGE (KBP01G/KBP153G)  | KBP01G    | 2 |
| C505-506            | 3619474153   | CAP POLY TM 0.47UF 250V        | 0.47/250  | 2 |
| C510-513 C520-523   | 3509472530-T | CAP CE F 0.0047UF 50V Z        | 0.0047/50 | 8 |
| AN105 AN205         | 4428596604   | LOCK WAFER LW-1143-04P         | WAFHW6P   | 2 |
| CN503               | 4428595009   | CON WAFER A2505WV2-09P         | WAFMW9P   | 1 |
| D501-504 D506-507   | 2058100996   | DIODE RECTIFIER LT1N4006(4007) | 1N 4006   | 6 |
| C515 C528-529       | 3409210071-T | CAP AF RSG 10UF 50V 5 P        | 10/50     | 3 |
| C531-532            | 3409210171-T | CAP AF RSG 100UF 50V 8 P       | 100/50    | 2 |
| C516                | 3409247071-T | CAP AF RSG 47UF 50V 6 P        | 47/50     | 1 |
| C514                | 3408210261   | CAP RSG 1000UF 35V SNAP 16 P   | 1000/35   | 1 |
| C526-527            | 3408247169   | CAP AF SG 470UF 35V            | 470/35    | 2 |
| C524-525            | 3409222171-T | CAP AF RSG 220UF 50V SG 10 P   | 220/50    | 2 |
| C501-504(for M700)- | 3419582279   | CAP E LPW 8200UF 80V JAMICON   | 8200/80   | 4 |
| C501-504(for M1000) | 3409068298   | CAP HM 6800UF 100V 40*60       | 6800/100  | 4 |
| F501-503            | 4458999110   | FUSE CLIP 5*20                 | FUSE CLIP | 3 |
| IC501               | 2128610900   | IC KA7815 COMMON               | 7815      | 1 |
| IC502               | 2128610800   | IC MC7915 COMMON               | 7915      | 1 |
| P51-53              | 4465998210   | TERMINAL(250)PCB TAB           | 250T      | 3 |
| P501                | 4355789207   | CON ASSY RED                   | ASSY      | 1 |
| P502-503            | 4355789306   | CON ASSY 1P ORG                | ASSY      | 2 |
| P504                | 4355789403   | CON ASSY 1P BLK                | ASSY      | 1 |
| R503                | 3009102973   | RES CF 1K 1/5W J N             | 1K        | 1 |

|           |              |                              |            |   |
|-----------|--------------|------------------------------|------------|---|
| R501      | 3009122973   | RES CF 1.2K 1/5W J N         | 1.2K       | 1 |
| R502      | 3009822973   | RES CF 8.2K 1/5W J N         | 8.2K       | 1 |
| PO501-502 | 2438200515   | THERMISTOR POWER NTC 5D-15   | TH5D-15    | 2 |
| RY503     | 5528007200   | RELAY 821-W-1A-C DC24V       | 821W-1A-C  | 1 |
| Q501      | 2008606108-T | KTC3200-BL-AT                | KTC 3220BL | 1 |
| Q502      | 2028407990   | KTC4370A-Y-U                 | KTC4370A   | 1 |
| Q503      | 2028406113   | KTD2058-Y-U                  | D2058      | 1 |
| AN102     | 4355824515   | CON ASSY 5P                  | ASSY 5P    | 1 |
| AN202     | 4355824511   | CON ASSY 5P                  | ASSY 5P    | 1 |
| AN403     | 4355797214   | CON ASSY 3P                  | ASSY3P     | 1 |
| CN501-502 | 4428595003   | LW5267/LWB0640/2.5MM-03P     | WAFMW3P    | 2 |
| D505      | 2058502240   | DIODE ZENER UZ-24BM(1N5252B) | UZ 24BM    | 1 |

**M-700/100 INPUT B'D(4005187810)**

|  |              |                            |                  |    |
|--|--------------|----------------------------|------------------|----|
| C320 C370                                  | 3529103531-A | CAP CE F 10000PF 50V Z     | 10000P           | 2  |
| C304-305 C354-355<br>C359                  | 3529220311-A | CAP CE SL 22PF 50V J AXIAL | 22P              | 5  |
| C310                                       | 3529330311-A | CAP CE SL 33PF 50V J AXIAL | 33P              | 1  |
| C308 C358 C360                             | 3529470311-A | CAP CE SL 47PF 50V J AXIAL | 47P              | 3  |
| C303 C353                                  | 3529050311-A | CAP CE SL 5P 50V C AXIAL   | 5P               | 2  |
| COIL1-4                                    | 3908609980   | EMI FILTER 2200PF          | EMI FILTER 2200P | 4  |
| C307 C357                                  | 3409210071-T | CAP AF RSG 10UF 50V 5 P    | 10/50            | 2  |
| C301-302 C306 C311<br>C351-352 C356        | 3409210141-T | CAP AF RSG 100UF 25V 6 P   | 100/25           | 7  |
| C309                                       | 3409247071-T | CAP AF RSG 47UF 50V 6 P    | 47/50            | 1  |
| IC301 IC303 IC305                          | 2118010432   | IC NJM2068DD JRC           | NJM2068DD        | 3  |
| JK301 JK303                                | 4438090310   | JACK COMBINATION CXLf-06L  | COMBO            | 2  |
| JK302 JK304                                | 4408194310   | XLR JACK (M) E503A0150N    | XLR (M)          | 2  |
| R307 R357 R370                             | 3009101973   | RES CF 100 1/5W J N        | 100              | 3  |
| R308 R358                                  | 3009103973   | RES CF 10K 1/5W J N        | 10K              | 2  |
| R318                                       | 3009104973   | RES CF 100K 1/5W J N       | 100K             | 1  |
| R303-306 R309<br>R353-356 R359<br>R368-369 | 3009153973   | RES CF 15K 1/5W J N        | 15K              | 12 |
| R302 R352                                  | 3009105973   | RES CF 1M 1/5W J N         | 1M               | 2  |
| R312 R362                                  | 3009333973   | RES CF 33K 1/5W J N        | 33K              | 2  |
| R366-367                                   | 3009303973   | RES CF 30K 1/5W J N        | 30K              | 2  |
| R316-317                                   | 3009563973   | RES CF 56K 1/5W J N        | 56K              | 2  |
| R301 R351                                  | 3009823973   | RES CF 82K 1/5W J N        | 82K              | 2  |
| SW301                                      | 4618999910   | SW SS65010-0203-9H-FN      | SLIDE/2POLE      | 1  |
| AN404                                      | 4355789717   | CON ASSY 3P VR             | ASSY3P           | 1  |
| AN405                                      | 4355789721   | CON ASSY 3P VR             | ASSY3P           | 1  |
| AN101                                      | 4355789806   | CON ASSY 4P INPUT          | ASSY4P           | 1  |
| AN201                                      | 4355789811   | CON ASSY 4P INPUT          | ASSY4P           | 1  |

**M-700/1000 VR B'D(4005187820)**

|   |              |                              |            |   |
|---|--------------|------------------------------|------------|---|
| D401-402 D451-452                         | 2058304100   | DIODE IN4148M                | 1N 4148    | 4 |
| C403 C405 C453 C455                       | 3409210071-T | CAP AF RSG 10UF 50V 5 P      | 10/50      | 4 |
| C401-402 C451-452                         | 3409247971-T | CAP AF RSG 4.7UF 50V 5 P     | 4.7/50     | 4 |
| VR401-402                                 | 3228070100   | VR RK16311E0Z0113B           | 10KB       | 2 |
| LD401                                     | 2300050105   | LED LTL-307E-041A LITEON     | 307E-041A  | 1 |
| C404 C454                                 | 3609104120-T | CAP MA 0.1UF 100V J          | 0.1/100(M) | 2 |
| IC401                                     | 2118010332   | IC NJM 5532DD JRC            | NJM 5532DD | 1 |
| R421-422                                  | 3009472973   | RES CF 4.7K 1/5W J N         | 4.7K       | 2 |
| R402 R407 R452 R457                       | 3009104973   | RES CF 100K 1/5W J N         | 100K       | 1 |
| R401 R404 R451 R454<br>R410 R409 R459-460 | 3009102973   | RES CF 1K 1/5W J N           | 1K         | 8 |
| R403 R406 R453 R456                       | 3009222973   | RES CF 2.2K 1/5W J N         | 2.2K       | 4 |
| R408 R458                                 | 3009273973   | RES CF 27K 1/5W J N          | 27K        | 2 |
| R405 R455                                 | 3009331973   | RES CF 330 1/5W J N          | 330        | 2 |
| Q401-404 Q451-454                         | 2008606104-T | TR NPN KTC3198-Y-AT TO-92    | KTC 3198   | 8 |
| CN401-402                                 | 4428595005   | LW5267/LWB0640/2.5MM-05P     | WAFMW5P    | 2 |
| AN103 AN203                               | 4355801007   | CON ASSY 6P                  | ASSY 6P    | 2 |
| CN403-405                                 | 4428595003   | LW5267/LWB0640/2.5MM-03P     | WAFMW3P    | 3 |
| D403 D453                                 | 2058502150   | DIODE ZENER UZ-15BM(1N5245B) | UZ 15BM    | 2 |

**M-700/1000 CH1 LED B'D(4005187830)**

|           |            |                              |           |   |
|-----------|------------|------------------------------|-----------|---|
| AN401     | 4355824503 | CON ASSY 5P                  | ASSY 5P   | 1 |
| LD601-602 | 2300052105 | LED LTL-307G-041A LITEON     | 307G-041A | 2 |
| LD603     | 2301053105 | LED SLA-114L SHINYOUNG (ORG) | SLA-114L  | 1 |
| LD604     | 2300050105 | LED LTL-307E-041A LITEON     | 307E-041A | 1 |
| R601-606  | 3009392973 | RES CF 3.9K 1/5W J N         | 3.9K      | 6 |
| R607-610  | 3009472973 | RES CF 4.7K 1/5W J N         | 4.7K      | 4 |

**M-700/1000 CH2 LED B'D(4005187840)**

|           |            |                           |           |   |
|-----------|------------|---------------------------|-----------|---|
| AN402     | 4355824503 | CON ASSY 5P               | ASSY 5P   | 1 |
| LD703     | 2300053105 | LED LTL-307EA-041A LITEON | SLA-114L  | 1 |
| LD704     | 2300050105 | LED LTL-307E-041A LITEON  | 307E-041A | 1 |
| LD701-702 | 2300052105 | LED LTL-307G-041A LITEON  | 307G-041A | 2 |
| R701-706  | 3009392973 | RES CF 3.9K 1/5W J N      | 3.9K      | 6 |
| R707-710  | 3009472973 | RES CF 4.7K 1/5W J N      | 4.7K      | 4 |

**M-700/1000 OUTPUT B'D(4005187850)**

|               |              |                                |                  |   |
|---------------|--------------|--------------------------------|------------------|---|
| C805-806      | 3509103530-T | CAP CE F 0.01UF 50V Z          | 0.01/50          | 2 |
| SP1-2         | 4438091710   | JACK SPEAKON (PCB INSERT TYPE) | SPEAKON          | 2 |
| C801-804      | 3609104120-T | CAP MA 0.1UF 100V J            | 0.1/100(M)       | 4 |
| R801-804      | 3039100572-F | RES MO 10 2W J N               | 10 2W            | 4 |
| SP3-4         | 4438190410   | BINDING POST(2P)               | BINDING POST(2P) | 2 |
| ANN105 ANN205 | 4428596604   | LOCK WAFER LW-1143-04P         | WAFHW4P          | 2 |

**M-700/1000 ASS'Y B'D**

|                    |  |  |                              |   |
|--------------------|--|--|------------------------------|---|
| INLET1             | 4448997410   | AC INLET 6100.4315 250T SCURTE   | AC INLET                     | 1 |
| BD100(for M700)    | 2058100103   | DIODE KBPC-2504 LUG TYPE   | KBPC 2054                    | 1 |
| BD100(for M1000)   | 2058100998   | DIODE KBPC3504   | KBPC 3054                    |   |
| C100               | 3549472407   | CAP DE2E3KH472MA4B   | 0.0047/400                   | 1 |
| FAN1-2(for M700)   | 7308999010   | FAN F8025*24B MA-430/830   | FAN1                         | 2 |
| FAN1-2(for M1000)  | 7308999013   | FAN (F8025X24B-FS)   | FAN1                         | 2 |
| F101(for M700)     | 5568223633   | CIRCUIT BREAKER W28-XQ1A-7A  | CIRCUIT BREAKER              | 1 |
| F101(for M1000)    | 5568224533   | CIRCUIT BREAKER W28-XQ1A-10A   | CIRCUIT BREAKER              | 1 |
| SW101              | 4625996611   | SW POWER(C1350AT) ARCOLECTRIC  | POWER SWITCH                 | 1 |
| CON ASS'Y          | 4355789510   | CON ASSY 6P POWER  | CON ASSY 6P POWER            | 1 |
| CON ASS'Y          | 4355915905   | SOCKET TERMINAL BROWN  | SOCKET TERMINAL BROWN        | 1 |
| CON ASS'Y          | 4355810803   | GND TERMINAL ASSY (REF-2300)   | GND TERMINAL ASSY (REF-2300) | 1 |
| F1                 | 5508412239   | FUSE#218T 20MM 1A/250V UCSKJ   | FUSE 20MM                    | 1 |
| PT1(for M700)      | 2828067121<br>2828067131<br>2828067141<br>2828067111<br>2828067131               | TRANS POWER 220V M-700<br>TRANS POWER 230V M-700<br>TRANS POWER 240V M-700<br>TRANS POWER 120V S-700/M-700<br>TRANS POWER 230V M-700                           | C<br>D<br>E<br>R             |   |
| PT1(for M1000)     | 2828067021<br>2828057031<br>2828067041<br>2828067011<br>2828067001<br>2828067031 | TRANS POWER 220V M-1000<br>TRANS POWER 230V M-1000<br>TRANS POWER 240V M-1000<br>TRANS POWER 120V S-1000<br>TRANS POWER 100V S-1000<br>TRANS POWER 230V M-1000 | C<br>D<br>E<br>J<br>R        |   |
| AC CORD(for M700)  | 4308997310<br>4308996710<br>4308998000<br>4308997710<br>4308999410               | AC CORD DOME 3-CORES<br>AC CORD (WITHOUT PLUG)<br>AC CORD POWER FOR SAA<br>CORD AC(UL3 125V 13A)MODEL7000<br>AC CORD V+VII6A-250VHOVV-F3G                      | C<br>D<br>E<br>R             |   |
| AC CORD(for M1000) | 4308991810<br>4308996710<br>4308998000<br>4308997710<br>4308990810               | AC CORD DOM 10A INLET<br>AC CORD (WITHOUT PLUG)<br>AC CORD POWER FOR SAA<br>CORD AC(UL3 125V 13A)MODEL7000<br>AC POWER CORD JIS                                | C<br>D<br>E<br>J             |   |
| AN502              |  |  | ASSY3P                       | 1 |