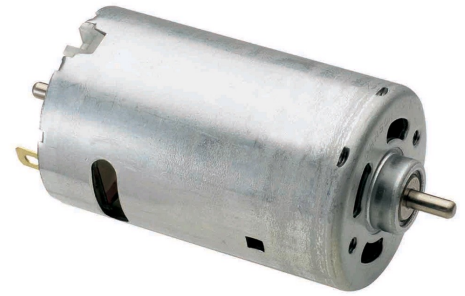


**Characteristics:**

High Power PMDC motor

**Specifications:**

Dimensions	: Ø 1.4 X 2.2
Shaft Diameter	: Ø 0.125 in
Input Voltage	: 24.0 V DC
No Load Speed	: 1800
No Load Current	: 0.03
Stall Torque	: 0.5487
Stall Current	: 0.53
Maximum Output Power	: 0.0039
Maximum Efficiency	: 62
Torque at Maximum Efficiency	: 0.10
Speed at Maximum Efficiency	: 1500
Weight	: 7 oz
Operation Temperature	: 14 to 131
Storage Temperature	: -4 to 176
Electrical Connection	: Terminals



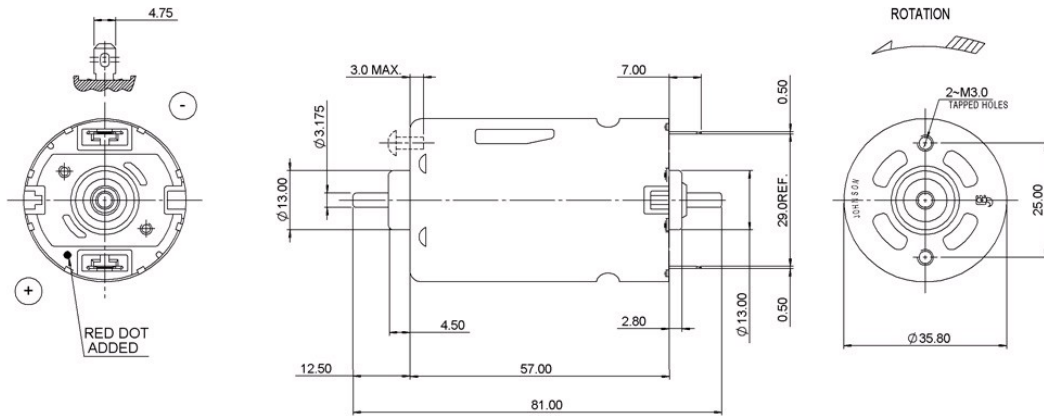
**Performance Data:**

	No Load	Stall	Max Efficiency	Max Power
Current (A)	0.03	0.53	0.12	0.28
Efficiency (%)	-	-	62	-
Output Power (hp)	-	-	0.0023	0.0039
Speed (rpm)	1800	-	1500	900
Torque (lb.in)	-	0.55	0.10	0.27

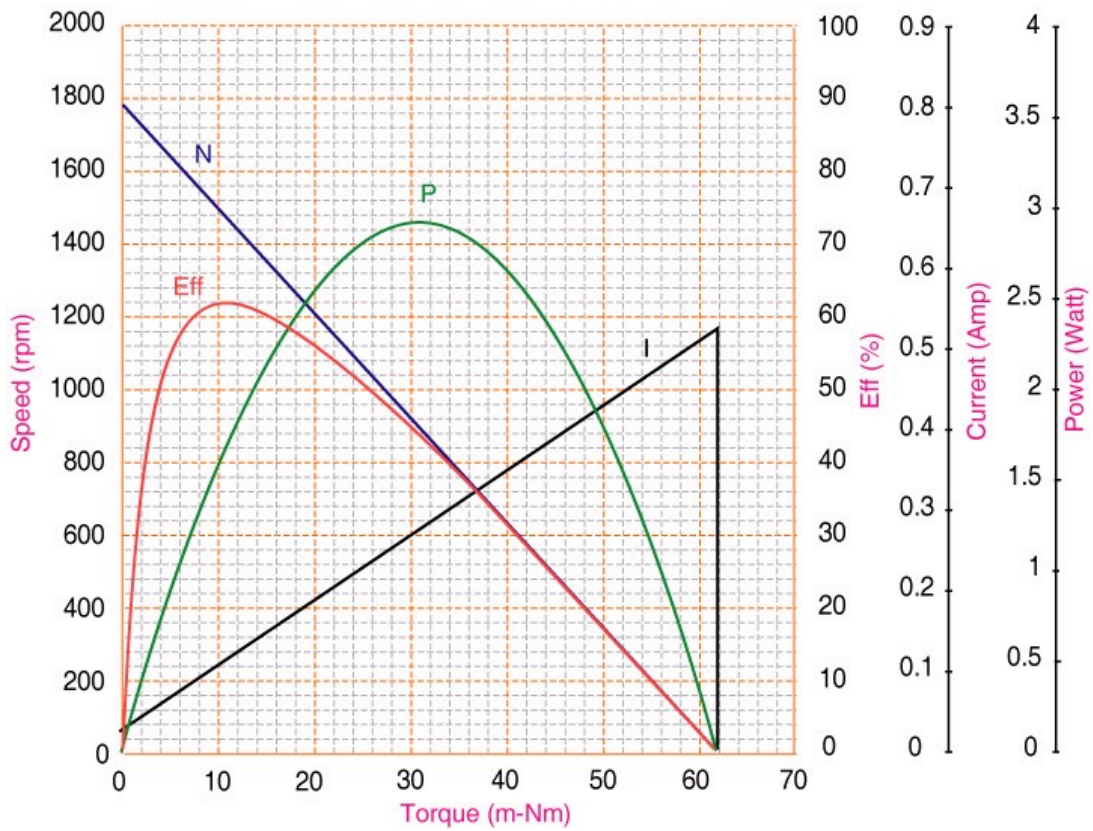
**Application Examples:**

Force Feedback

Drawing:



Performance Curves:



Units in Metric