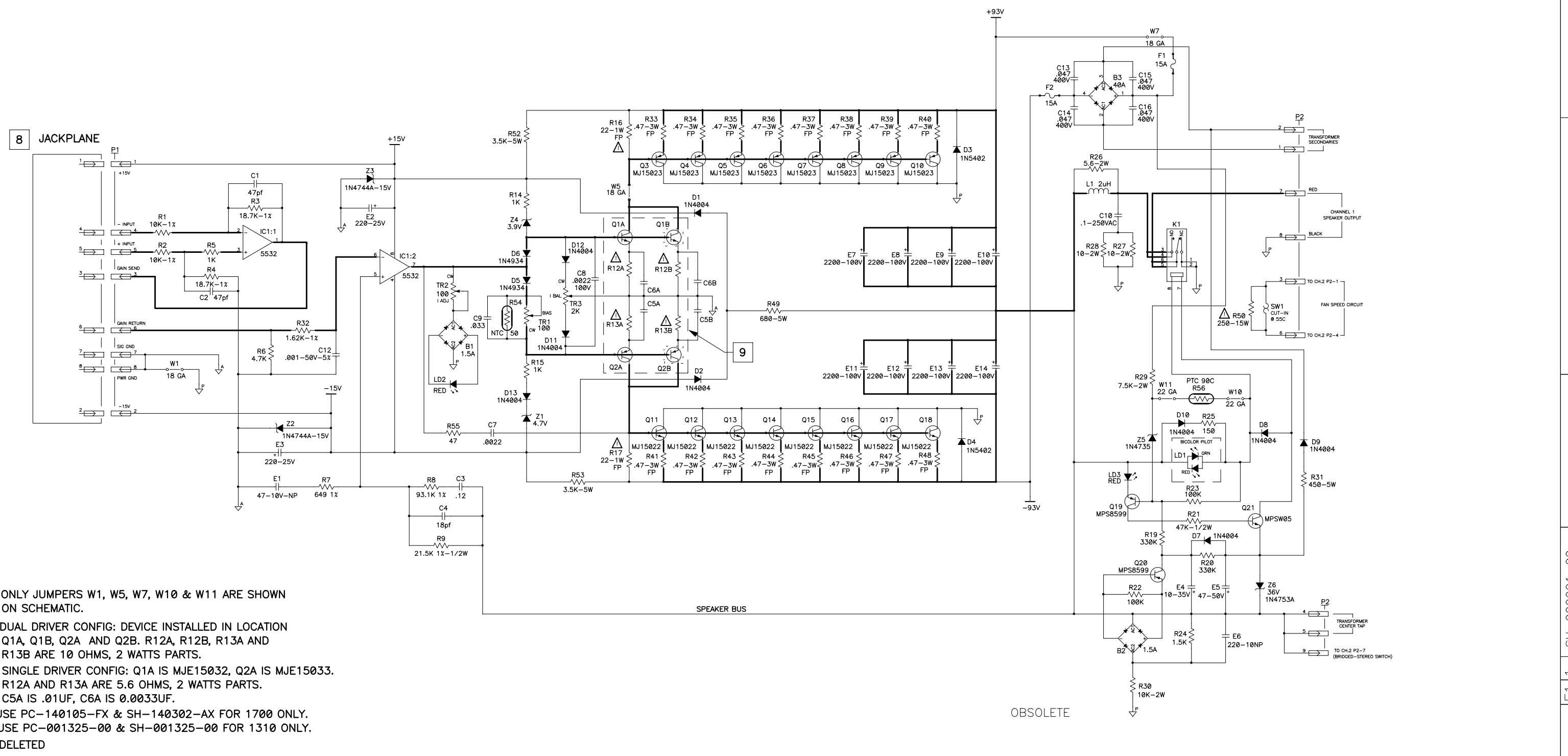


THIS DOCUMENT CONTAINS PROPRIETARY INFORMATION WHICH IS THE PROPERTY OF QSC AUDIO PRODUCTS. THAT MAY NOT BE DISCLOSED, REPRODUCED OR USED WITHOUT EXPRESS WRITTEN CONSENT FROM QSC AUDIO PRODUCTS.

REVISION				
REV	DESCRIPTION	EFF. DATE	CHK	APPROVED / DATE

8 JACKPLANE



- 10. ONLY JUMPERS W1, W5, W7, W10 & W11 ARE SHOWN ON SCHEMATIC.
- 9 DUAL DRIVER CONFIG: DEVICE INSTALLED IN LOCATION Q1A, Q1B, Q2A AND Q2B. R12A, R12B, R13A AND R13B ARE 10 OHMS, 2 WATTS PARTS. SINGLE DRIVER CONFIG: Q1A IS MJE15032, Q2A IS MJE15033. R12A AND R13A ARE 5.6 OHMS, 2 WATTS PARTS. C5A IS .01UF, C6A IS 0.0033UF.
- 8 USE PC-140105-FX & SH-140302-AX FOR 1700 ONLY. USE PC-001325-00 & SH-001325-00 FOR 1310 ONLY.

- 7. DELETED
 - 6. ALL RESISTORS MARKED *FP* ARE FLAMEPROOF CONSTRUCTION AND MINIMUM OF 1/2W.
 - 5. REPLACE PARTS MARKED Δ AND FP WITH SAME TYPE ONLY FOR CONTINUED SAFETY.
 - 4. HEAVY LINE SHOWS MAIN SIGNAL PATH.
 - 3. USE QSC REPLACEMENT TRANSISTORS ONLY.
 - 2. ALL CAPACITORS IN uF, 100V UNLESS SHOWN.
 - 1. ALL RESISTOR VALUES ARE IN OHM 5%, 1/4W,
- NOTES: UNLESS OTHERWISE SPECIFIED

CONNECTORS	
9 PIN PCB CONNECTOR (P2)	
JACK PLANE 8 PIN HEADER CONNECTION (P1)	

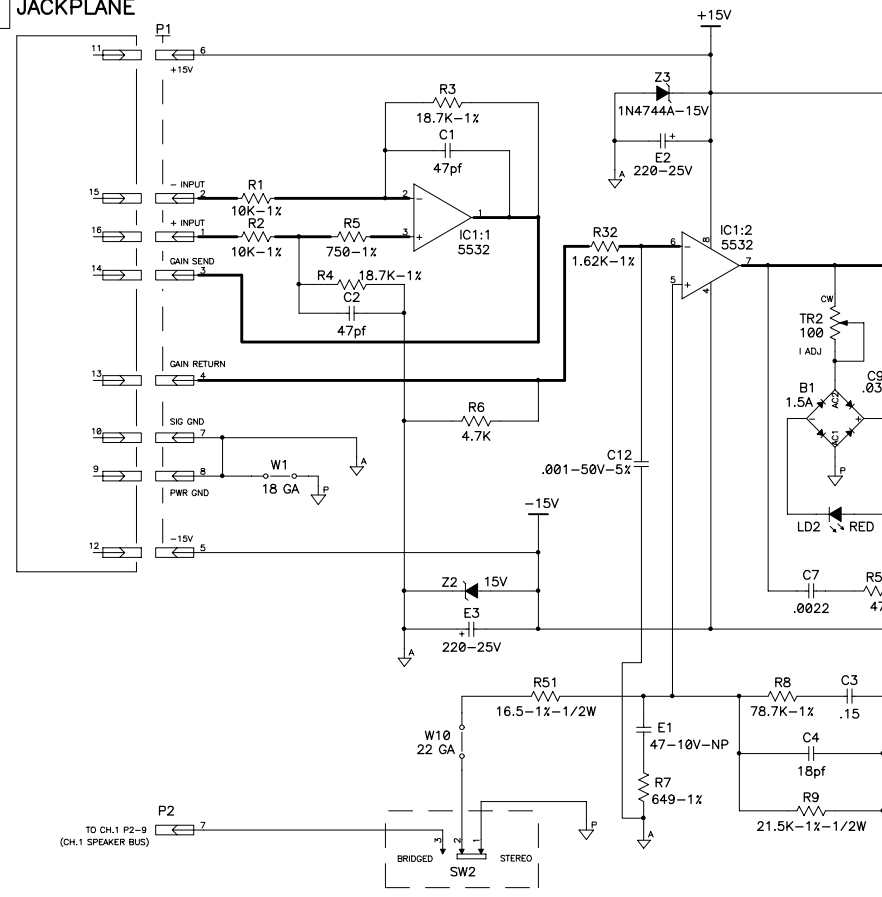
PARTS LIST				
UNLESS OTHERWISE SPECIFIED DIMENSIONS ARE IN INCHES. DIMENSIONS PER ANSI Y14.5-1982		CONTRACT NO.		QSC AUDIO PRODUCTS, INC. COSTA MESA, CALIFORNIA
TOLERANCES ARE: DECIMALS DECIMALS ANGLES .XX ± .02 .XXX ± .010 ± 1/2°		APPROVALS	DATE	
DRAWN B. MITCHELL		7-12-94		SCHEMATIC DIAGRAM USA 1310 CHAN 1 MAIN PCB
CHECKED				
WP-170053-TS 1700 (230V)	WP-170053-TD 1700 (120V)	ISSUED		SIZE FSCM NO. DWG NO. SH-00001-00 REV F1
NEXT ASSY USED ON		CAD FILE NO. SH0001-E.SCH		SCALE NONE CAD FILE NO. USA1310SCH.sch SHEET 1 OF 1
APPLICATION DO NOT SCALE DRAWING				

F 1 SH-00001-00

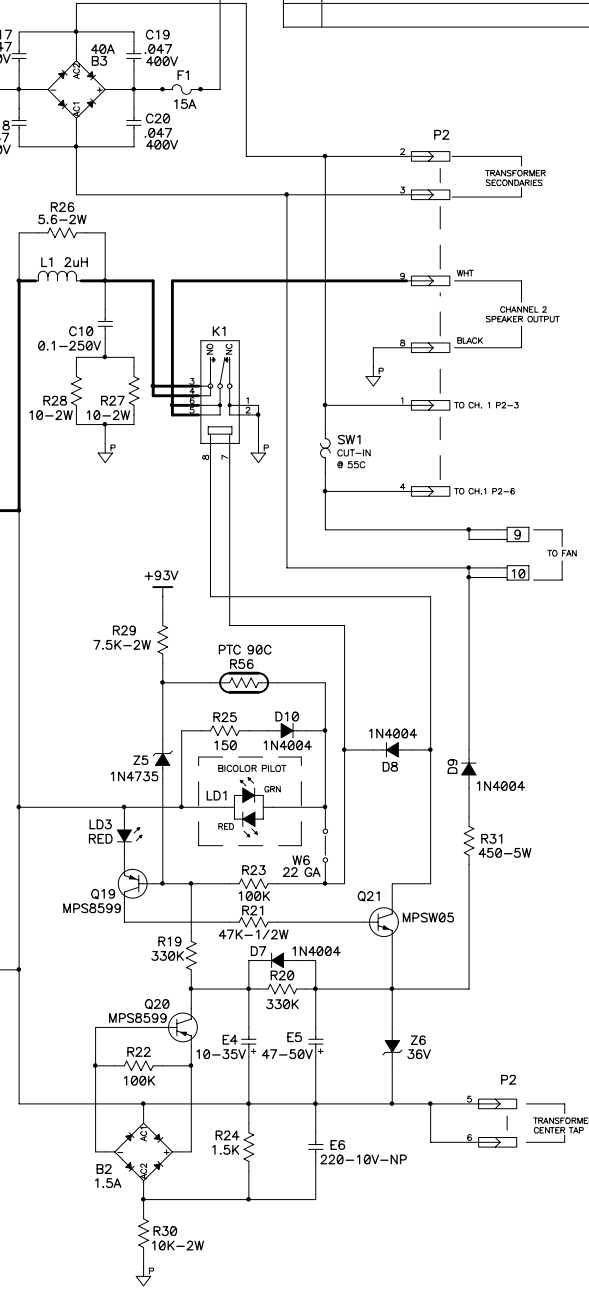
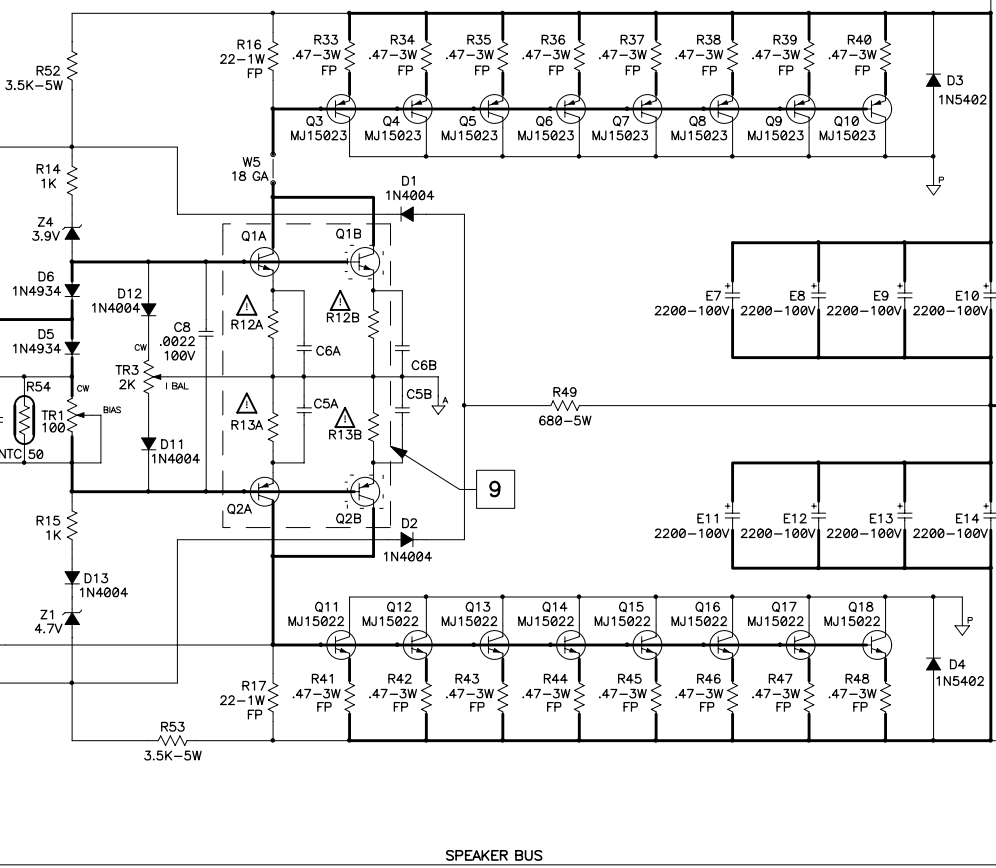
THIS DOCUMENT CONTAINS PROPRIETARY INFORMATION WHICH IS THE PROPERTY OF QSC AUDIO PRODUCTS. THAT MAY NOT BE DISCLOSED, REPRODUCED OR USED WITHOUT EXPRESS WRITTEN CONSENT FROM QSC AUDIO PRODUCTS.

REVISION				
REV	DESCRIPTION	EFF. DATE	CHK	APPROVED / DATE

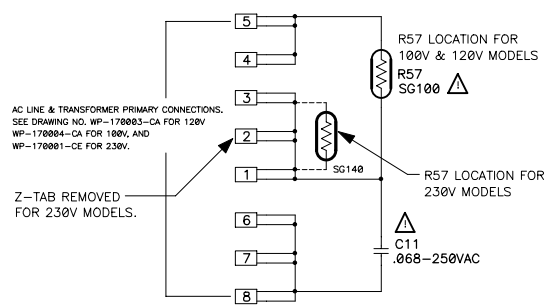
8 JACKPLANE



9



- 10. ONLY JUMPERS W1, W5-W7 & W10 ARE SHOWN ON SCHEMATIC.
 - 9 DUAL DRIVER CONFIG: DEVICE INSTALLED IN LOCATION Q1A, Q1B, Q2A AND Q2B. R12A, R12B, R13A AND R13B ARE 10 OHMS, 2 WATTS PARTS.
SINGLE DRIVER CONFIG: Q1A IS MJE15032, Q2A IS MJE15033. R12A AND R13A ARE 5.6 OHMS, 2 WATTS PARTS. C5A IS .01UF, C6A IS 0.0033UF.
 - 8 USE PC-140105-FX & SH-140302-AX FOR 1700 ONLY. USE PC-001325-00 & SH-001325-00 FOR 1310 ONLY.
 - 7. DELETED.
 - 6. ALL RESISTORS MARKED *FP* ARE FLAMEPROOF CONSTRUCTION AND MINIMUM OF 1/2W.
 - 5. REPLACE PARTS MARKED Δ AND FP WITH SAME TYPE ONLY FOR CONTINUED SAFETY.
 - 4. HEAVY LINE SHOWS MAIN SIGNAL PATH.
 - 3. USE QSC REPLACEMENT TRANSISTORS ONLY.
 - 2. ALL CAPACITORS IN μ F, 100V UNLESS SHOWN.
 - 1. ALL RESISTOR VALUES ARE IN OHM 5%, 1/4W,
- NOTES: UNLESS OTHERWISE SPECIFIED

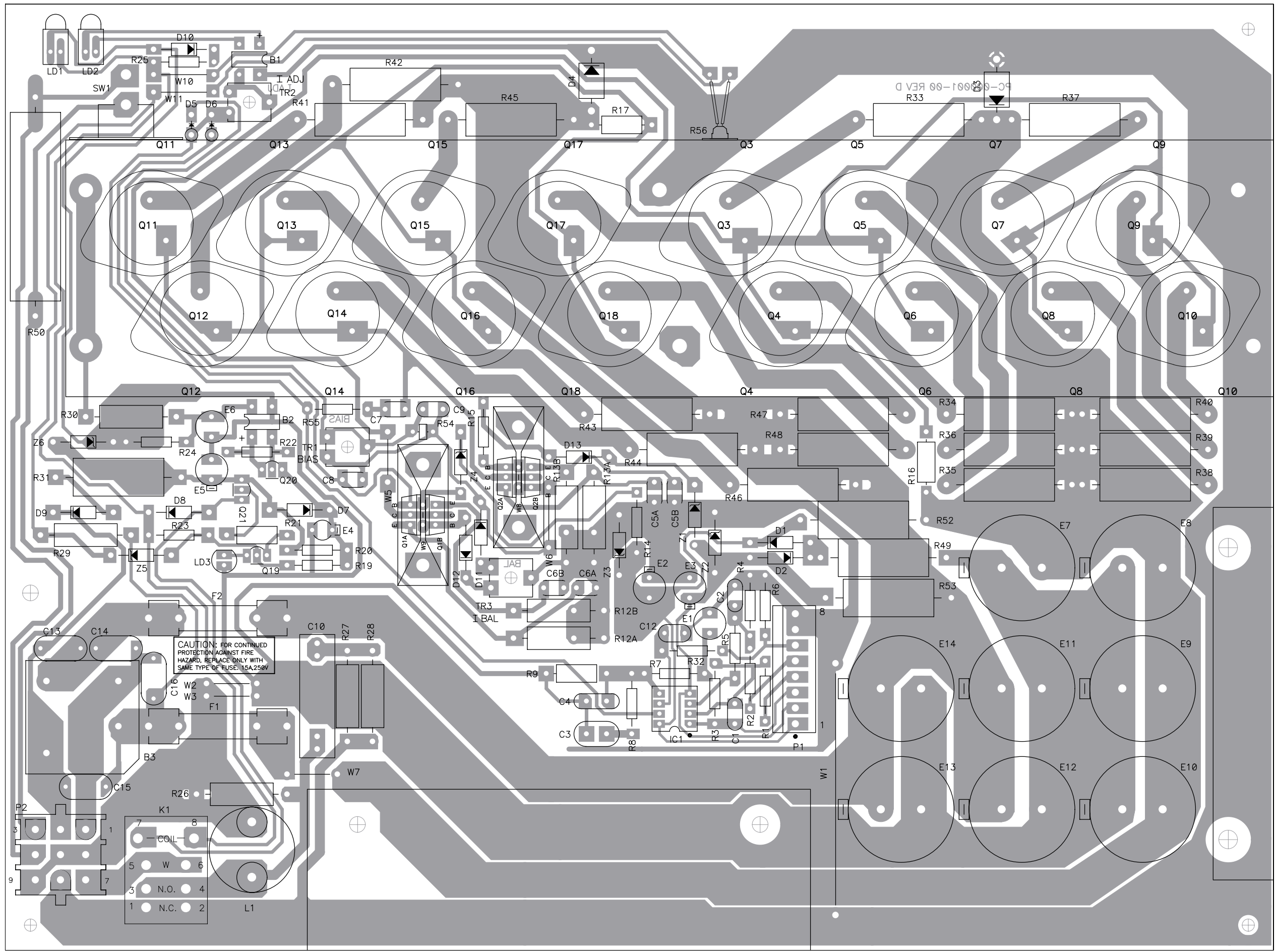


CONNECTORS
 QUICK DISCONNECT TERMINALS (1-10)
 9 PIN PCB CONNECTOR (P2)
 JACK PLANE 8 PIN HEADER CONNECTION (P1)

OBsolete

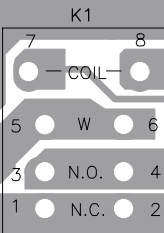
PARTS LIST		CONTRACT NO.		QSC AUDIO PRODUCTS, INC. COSTA MESA, CALIFORNIA	
WP-170054-TS	1700 (230V)	APPROVALS	DATE	SCHEMATIC DIAGRAM	
WP-170054-TD	1700 (120V)	B. MITCHELL	7-12-94	USA 1310 CHAN 2 MAIN PCB	
NEXT ASSY	USED ON	ISSUED	CAD FILE NO.	SIZE	FSCM NO.
APPLICATION	DO NOT SCALE DRAWING	SH0002-E.SCH	USA1310SCH2.sch	D	SH-000002-00
				SCALE	REV
				NONE	F1
					SHEET 1 OF 1

SH-000002-00

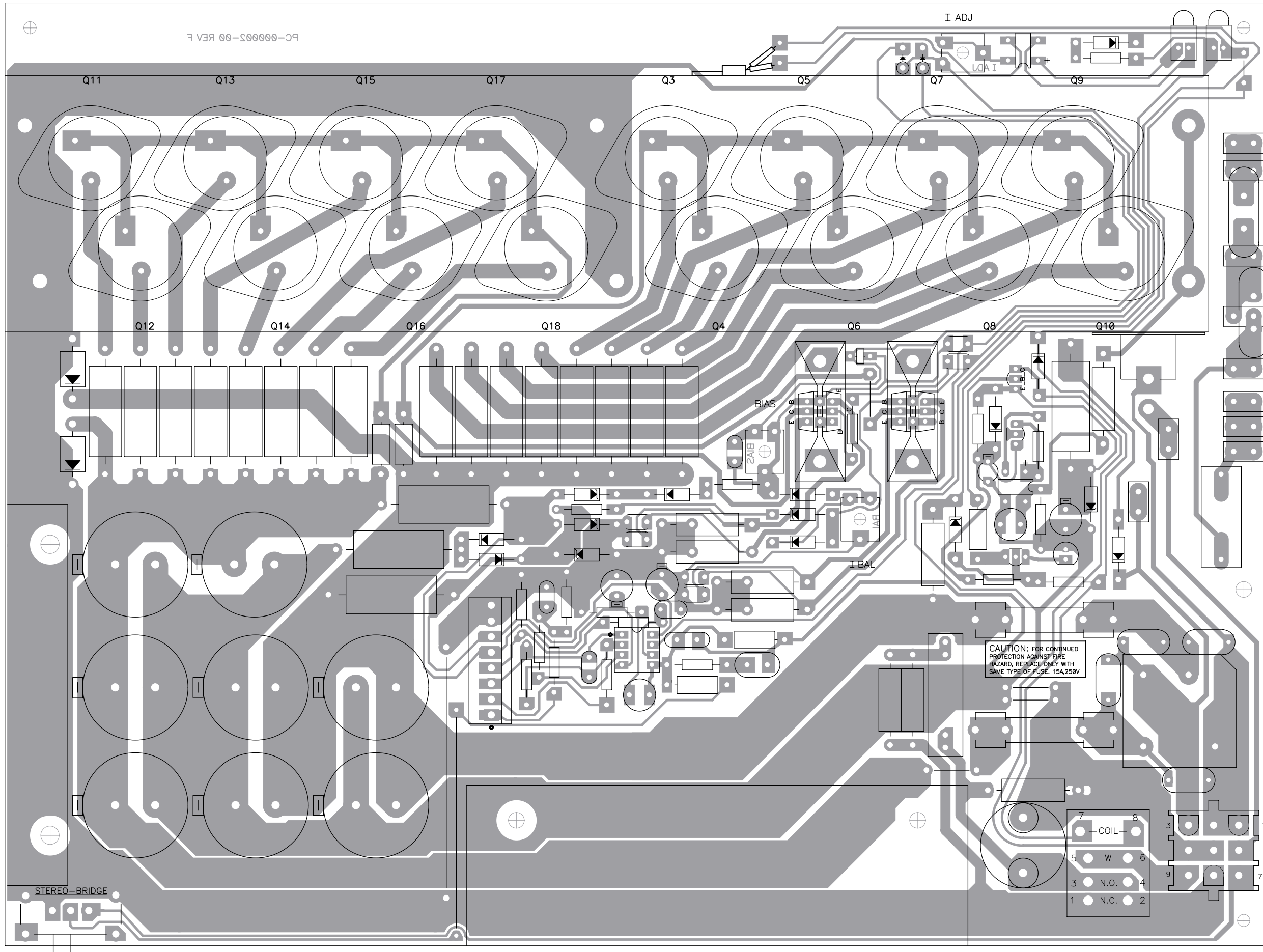


CAUTION: FOR CONTINUED PROTECTION AGAINST FIRE HAZARD, REPLACE ONLY WITH SAME TYPE OF FUSE. 15A, 250V

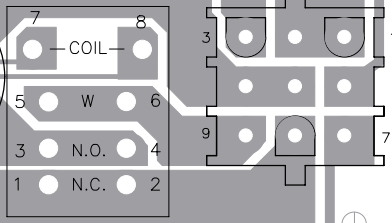
PC-90001-00 REV. D
R33



1 N.C. 2 N.C.
3 N.O. 4 N.O.
5 W 6 W
7 COIL 8 COIL
9 N.O.



CAUTION: FOR CONTINUED PROTECTION AGAINST FIRE HAZARD, REPLACE ONLY WITH SAME TYPE OF FUSE, 15A,250V



STEREO-BRIDGE

