

6

5

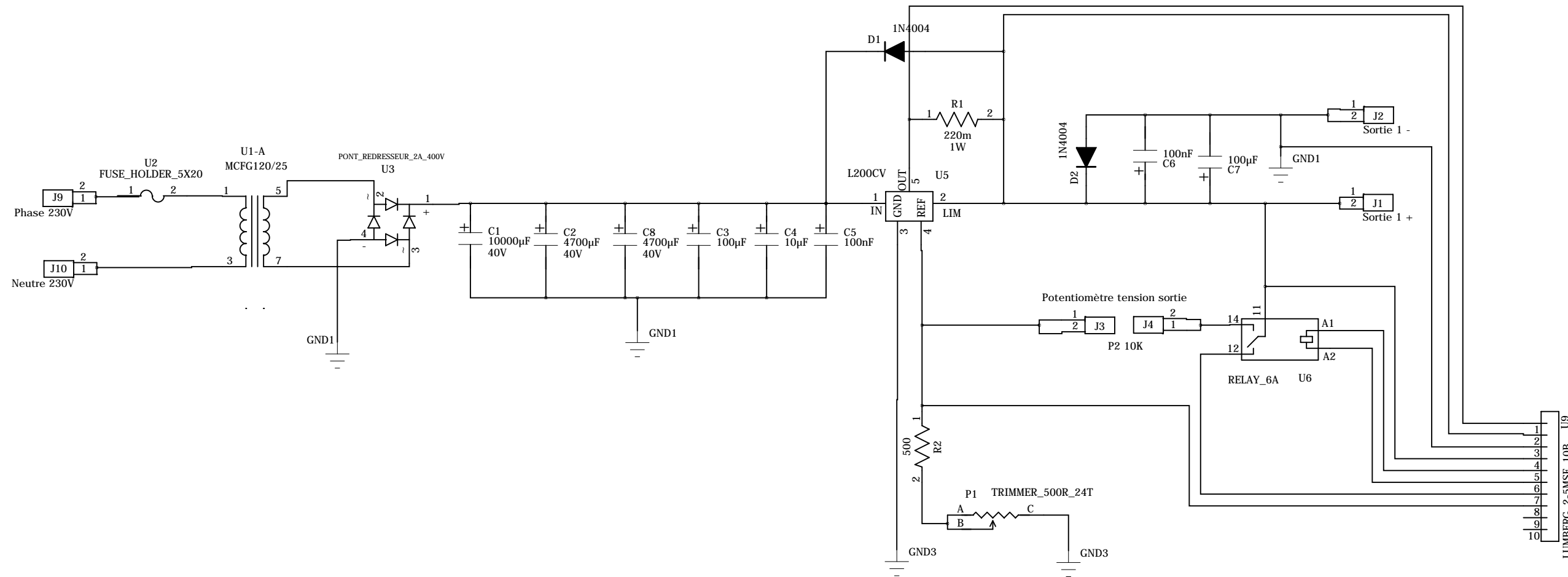
4

3

2

1

REVISION RECORD			
LTR	ECO NO:	APPROVED:	DATE:



SHEET NAME:				<b>CARTE_MAITRE</b>			
TITLE:				<b>Alimentation double 30V 2A</b>			
DRAWN:	DATED:	CODE:	SIZE:	DRAWING NO:	REV:		
<Drawn By>	25/03/2012	<Code>	B	ADRT30VRC2A	A		
CHECKED:	DATED:	SCALE: <Scale>		SHEET: 1 of 6			
<Checked By>	<Checked Date>						
QUALITY CONTROL:	DATED:						
<QC By>	<QC Date>						
RELEASED:	DATED:						
<Released By>	<Release Date>						

6

5

4

3

2

1

D

C

B

A

D

C

B

A

REVISION RECORD			
LTR	ECO NO:	APPROVED:	DATE:

SHEET NAME: **CARTE\_ESCLAVE**

TITLE: **Alimentation double 30V 2A**

DRAWN: <Drawn By>	DATED: 25/03/2012
CHECKED: <Checked By>	DATED: <Checked Date>
QUALITY CONTROL: <QC By>	DATED: <QC Date>
RELEASED: <Released By>	DATED: <Release Date>

CODE: <b>&lt;Code&gt;</b>	SIZE: <b>B</b>	DRAWING NO: <b>ADRT30VRC2A</b>	REV: <b>A</b>
SCALE: <Scale>			SHEET: 2 OF 6

6

5

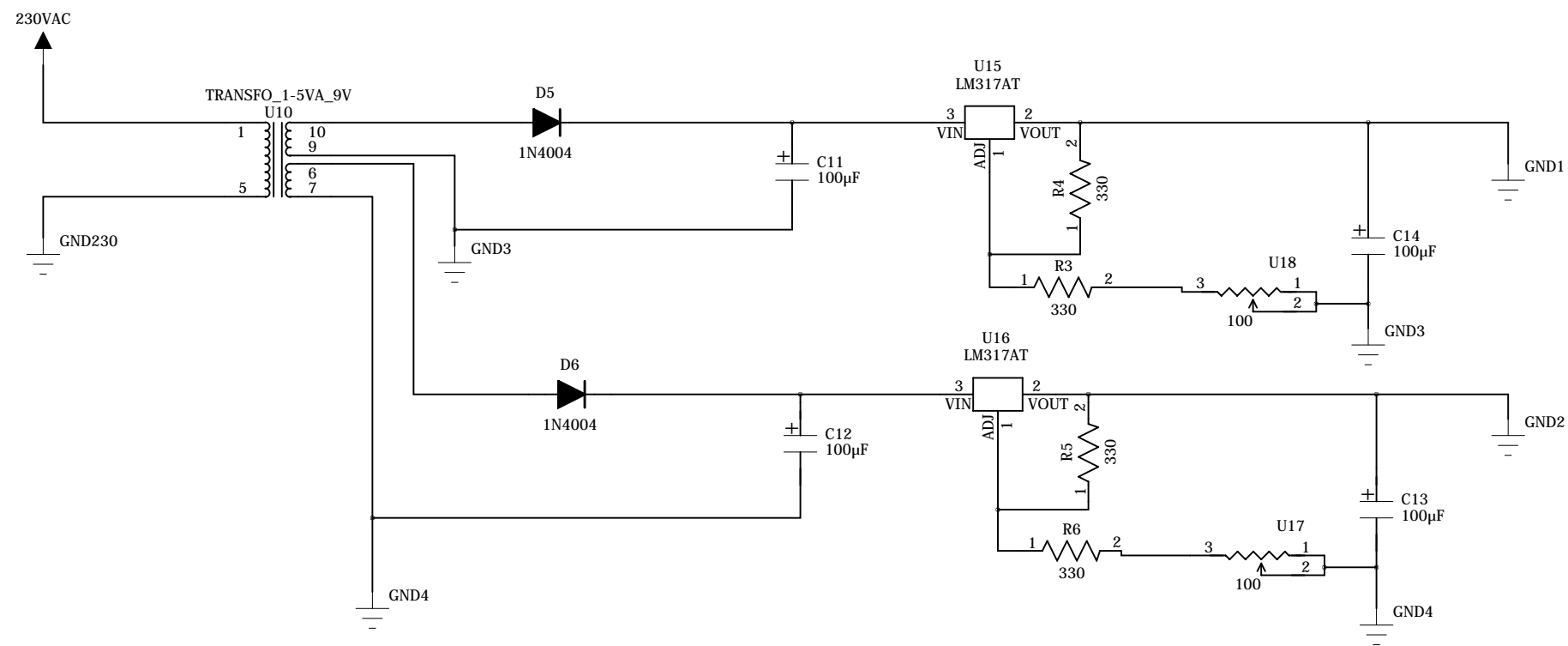
4

3

2

1

REVISION RECORD			
LTR	ECO NO:	APPROVED:	DATE:



SHEET NAME: CARTE\_REFERENCE\_NEGATIVE

TITLE: Alimentation double 30V 2A

DRAWN: <Drawn By>	DATED: 25/03/2012
CHECKED: <Checked By>	DATED: <Checked Date>
QUALITY CONTROL: <QC By>	DATED: <QC Date>
RELEASED: <Released By>	DATED: <Release Date>

CODE: <Code>	SIZE: B	DRAWING NO: ADRT30VRC2A	REV: A
SCALE: <Scale>			SHEET: 3of 6

D

C

B

A

D

C

B

A

6

5

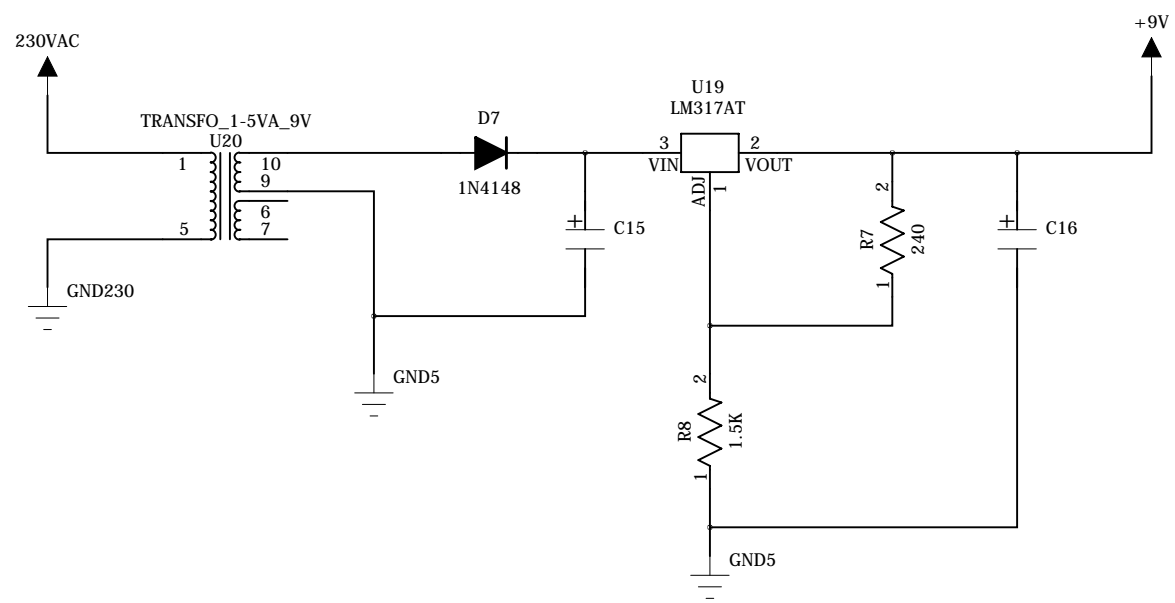
4

3

2

1

REVISION RECORD			
LTR	ECO NO:	APPROVED:	DATE:



SHEET NAME: CARTE_ALIMENTATION_9V			
TITLE: Alimentation double 30V 2A			
CODE:	SIZE:	DRAWING NO:	REV:
<Code>	B	ADRT30VRC2A	A
SCALE: <Scale>			SHEET: 4 of 6

DRAWN: <Drawn By>	DATED: 25/03/2012
CHECKED: <Checked By>	DATED: <Checked Date>
QUALITY CONTROL: <QC By>	DATED: <QC Date>
RELEASED: <Released By>	DATED: <Release Date>

D

C

B

A

D

C

B

A

6

5

4

3

2

1

REVISION RECORD			
LTR	ECO NO:	APPROVED:	DATE:

D

D

C

C

B

B

A

A

SHEET NAME:				CARTE_MICRO			
TITLE:				Alimentation double 30V 2A			
CODE:	SIZE:	DRAWING NO:		REV:			
<Code>	B	ADRT30VRC2A		A			
SCALE: <Scale>				SHEET: 5 of 6			

DRAWN: <Drawn By>	DATED: 25/03/2012
CHECKED: <Checked By>	DATED: <Checked Date>
QUALITY CONTROL: <QC By>	DATED: <QC Date>
RELEASED: <Released By>	DATED: <Release Date>

6

5

4

3

2

1

D

C

B

A

D

C

B

A

REVISION RECORD			
LTR	ECO NO:	APPROVED:	DATE:

SHEET NAME:				<b>CARTE_AFFICHAGE</b>			
TITLE:				<b>Alimentation double 30V 2A</b>			
CODE:	SIZE:	DRAWING NO:		REV:			
<b>&lt;Code&gt;</b>	<b>B</b>	<b>ADRT30VRC2A</b>		<b>A</b>			
SCALE: <Scale>				SHEET: 6 OF 6			

DRAWN: <Drawn By>	DATED: 25/03/2012
CHECKED: <Checked By>	DATED: <Checked Date>
QUALITY CONTROL: <QC By>	DATED: <QC Date>
RELEASED: <Released By>	DATED: <Release Date>