

## 16-Channel Constant Current LED Driver With 16-bit PWM Control

### Features

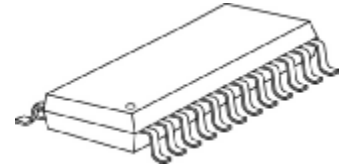
- I Backward compatible with MBI5026 and MBI5030 in package
- I 16 constant-current output channels
- I 16-bit color depth PWM control
- I Scrambled-PWM technology to improve refresh rate
- I 6-bit programmable output current gain
- I Constant output current range: 3~45mA
  - 5~ 45mA at 5.0V supply voltage
  - 3~30mA at 3.3V supply voltage
- I Output current accuracy:
  - Between channels:  $<\pm 1.5\%$  (typ.), and
  - Between ICs:  $<\pm 3\%$  (typ.)
- I Staggered delay of output, preventing from current surge
- I Maximum data clock frequency: 30MHz
- I Schmitt trigger input
- I 3.0V-5.5V supply voltage

### Product Description

MBI5042 is designed for LED video applications using internal Pulse Width Modulation (PWM) control with selectable 16-bit color depth. MBI5042 features a 16-bit shift register which converts serial input data into each pixel gray scale of output port. At MBI5042 output port, sixteen regulated current ports are designed to provide uniform and constant current sinks for driving LEDs with a wide range of  $V_F$  variations. The output current can be preset through an external resistor. Moreover, the preset current of MBI5042 can be further programmed to 64 gain steps for LED global brightness adjustment.

With Scrambled-PWM (S-PWM) technology, MBI5042 enhances Pulse Width Modulation by scrambling the “on” time into several “on” periods. The enhancement equivalently increases the visual refresh rate. When building a 16-bit color depth video, S-PWM reduces the flickers and improves the fidelity. MBI5042 offloads the signal timing generation of the host controller which just needs to feed data into drivers. MBI5042 drives the corresponding LEDs to the brightness specified by image data. With MBI5042, all output channels can be built with 16-bit color depth (65,536 gray scales). Each LED’s brightness can be calibrated enough from minimum to maximum brightness with compensated gamma correction or LED deviation information inside the 16-bit image data.

#### Small Outline Package



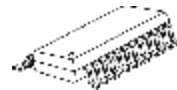
GF: SOP24-300-1.00

#### Shrink SOP



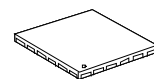
GP: SSOP24L-150-0.64

#### Thin Shrink SOP



GTS: TSSOP24-173-0.65

#### QFN



GFN: QFN24-4\*4-0.5

Block Diagram

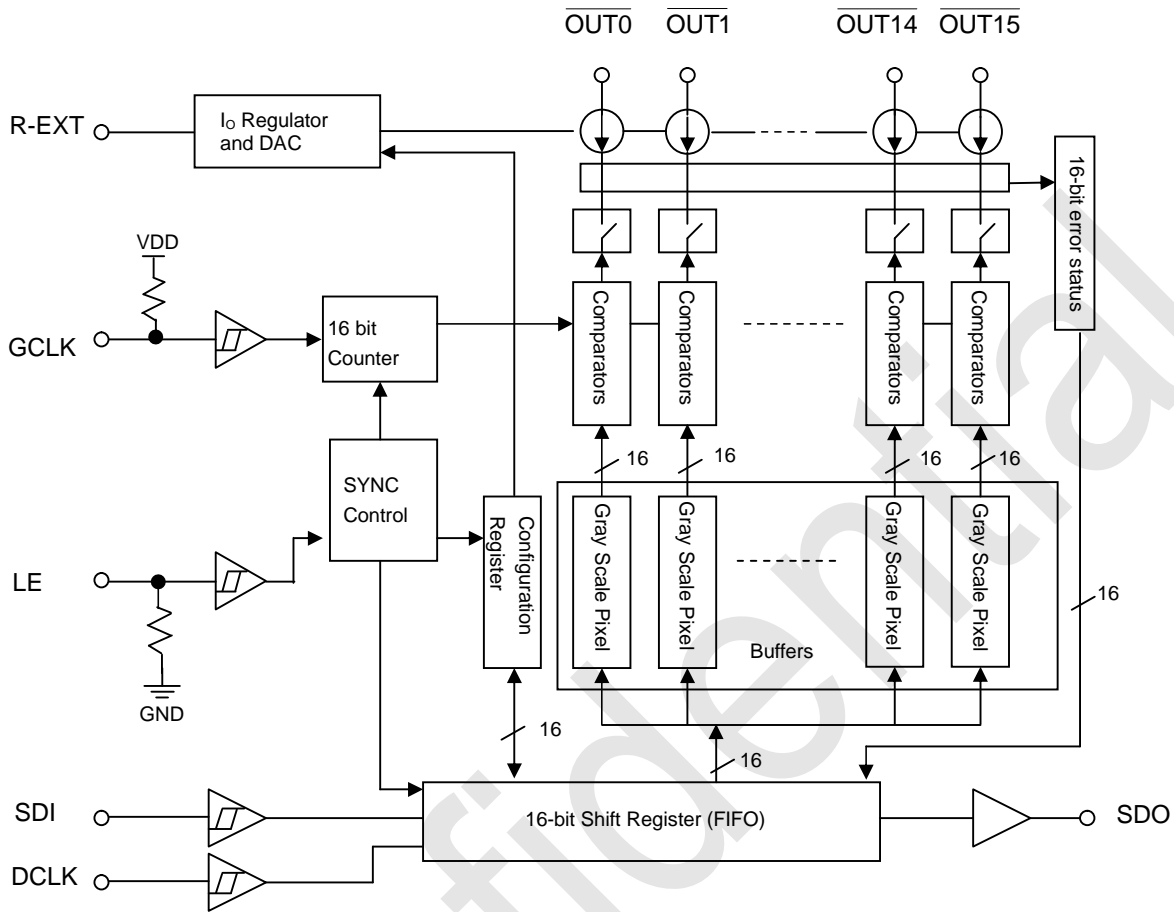
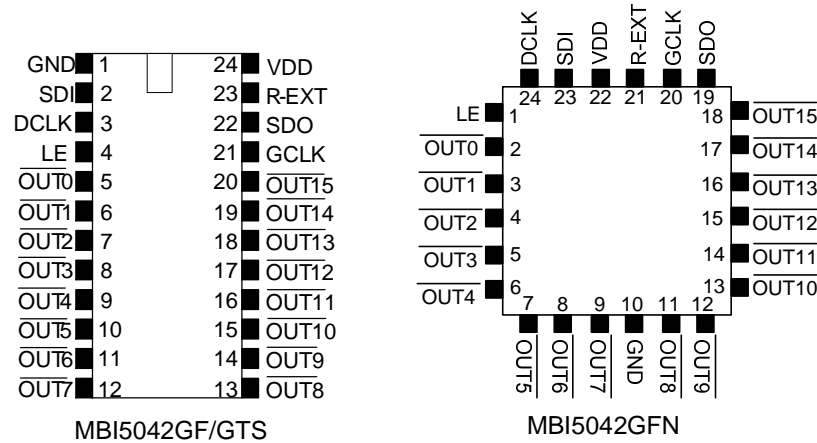


Figure 1

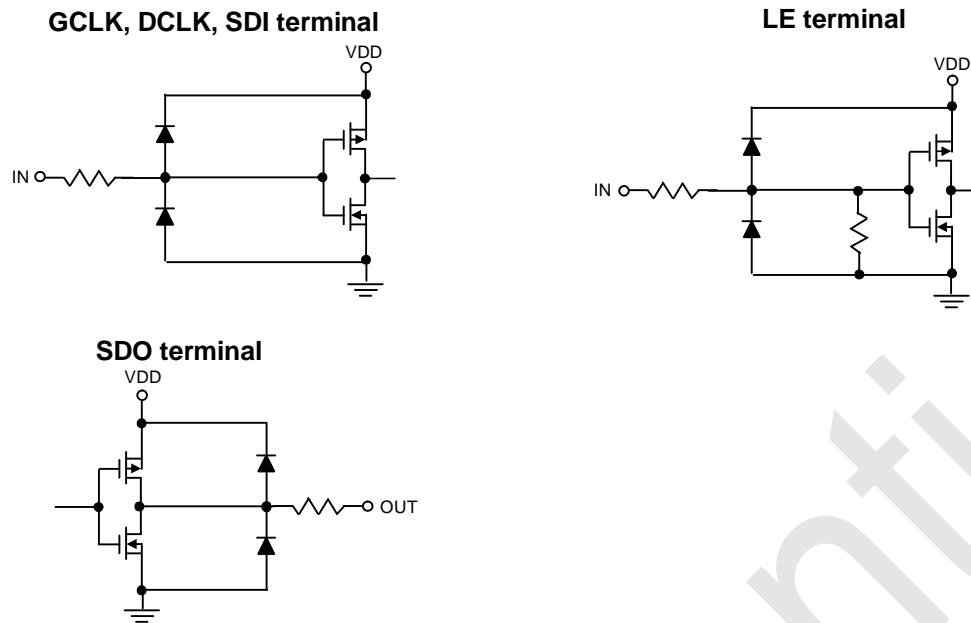
Pin Configuration



Terminal Description

Pin Name	Function
GND	Ground terminal for control logic and current sink
SDI	Serial-data input to the shift register
DCLK	Clock input terminal used to shift data on rising edge and carries command information when LE is asserted.
LE	Data strobe terminal and controlling command with DCLK
OUT0 ~ OUT15	Constant current output terminals
GCLK	Gray scale clock terminal Clock input for gray scale. The gray scale display is counted by gray scale clock comparing with input data.
SDO	Serial-data output to the receiver-end SDI of next driver IC
R-EXT	Input terminal used to connect an external resistor for setting up output current for all output channels
VDD	3.3V/5V supply voltage terminal

Equivalent Circuits of Inputs and Outputs



Maximum Rating

Characteristic	Symbol	Rating	Unit
Supply Voltage	$V_{DD}$	0~7	V
Input Pin Voltage (SDI)	$V_{IN}$	-0.4~ $V_{DD}$ +0.4	V
Output Current	$I_{OUT}$	+50	mA
Sustaining Voltage at OUT Port	$V_{DS}$	-0.5~17	V
GND Terminal Current	$I_{GND}$	+720	mA
Power Dissipation (On PCB, $T_a=25^{\circ}C$ )	$P_D$	GF Type	2.52
		GP Type	2.03
		GTS Type	3.53
		GFN Type	3.12
Thermal Resistance (On PCB, $T_a=25^{\circ}C$ )	$R_{th(j-a)}$	GF Type	49.69
		GP Type	61.56
		GTS Type	32.45
		GFN Type	40.01
Operating Temperature	$T_{opr}$	-40~+85	$^{\circ}C$
Storage Temperature	$T_{stg}$	-55~+150	$^{\circ}C$
ESD Rating	HBM (MIL-STD-883G Method 3015.7, Human Body Mode)	-	Class 3B ( $\geq 8000V$ )
	MM (JEDEC EIA/JESD22-A115, Machine Mode)	-	Class C ( $\geq 400V$ )

Electrical Characteristics ( $V_{DD}=5.0V$ )

Characteristics		Symbol	Condition	Min.	Typ.	Max.	Unit	
Supply Voltage		$V_{DD}$	-	4.5	5.0	5.5	V	
Sustaining Voltage at OUT Ports		$V_{DS}$	$\overline{OUT0} \sim \overline{OUT15}$	-	-	17.0	V	
Output Current		$I_{OUT}$	Refer to "Test Circuit for Electrical Characteristics"	5	-	45	mA	
		$I_{OH}$	SDO	-	-	-1.0	mA	
		$I_{OL}$	SDO	-	-	1.0	mA	
Input Voltage	"H" level	$V_{IH}$	$T_a=-40\sim 85^{\circ}C$	$0.7 \times V_{DD}$	-	$V_{DD}$	V	
	"L" level	$V_{IL}$	$T_a=-40\sim 85^{\circ}C$	GND	-	$0.3 \times V_{DD}$	V	
Output Leakage Current		$I_{OH}$	$V_{DS}=17.0V$	-	-	0.5	$\mu A$	
Output Voltage	SDO	$V_{OL}$	$I_{OL}=+1.0mA$	-	-	0.4	V	
		$V_{OH}$	$I_{OH}=-1.0mA$	4.6	-	-	V	
Current Skew (Channel)		$dI_{OUT}$	$I_{OUT}=21mA$ $V_{DS}=1.0V$	$R_{ext}=680\Omega$	-	$\pm 1.5$	$\pm 3.0$	%
			$I_{OUT}=45mA$ $V_{DS}=1.0V$	$R_{ext}=306\Omega$	-	$\pm 1.5$	$\pm 3.0$	%
Current Skew (IC)		$dI_{OUT2}$	$I_{OUT}=21mA$ $V_{DS}=1.0V$	$R_{ext}=680\Omega$	-	$\pm 3.0$	$\pm 6.0$	%
			$I_{OUT}=45mA$ $V_{DS}=1.0V$	$R_{ext}=306\Omega$	-	$\pm 3.0$	$\pm 6.0$	%
Output Current vs. Output Voltage Regulation*		$\%/dV_{DS}$	$V_{DS}$ within 1.0V and 3.0V, $R_{ext}=680\Omega@21mA$	-	$\pm 0.1$	$\pm 0.3$	% / V	
Output Current vs. Supply Voltage Regulation*		$\%/dV_{DD}$	$V_{DD}$ within 4.5V and 5.5V	-	$\pm 1.0$	$\pm 2.0$	% / V	
Pull-down Resistor		$R_{IN(down)}$	LE	250	450	800	K $\Omega$	
Supply Current	"Off"	$I_{DD(off) 1}$	$R_{ext}=\text{Open}, \overline{OUT0} \sim \overline{OUT15} =\text{Off}$	-	3.0	5.0	mA	
		$I_{DD(off) 2}$	$R_{ext}=680\Omega, \overline{OUT0} \sim \overline{OUT15} =\text{Off}$	-	7.0	10.0		
		$I_{DD(off) 3}$	$R_{ext}=306\Omega, \overline{OUT0} \sim \overline{OUT15} =\text{Off}$	-	8.5	11.5		
	"On"	$I_{DD(on) 1}$	$R_{ext}=680\Omega, \overline{OUT0} \sim \overline{OUT15} =\text{On}$	-	8.0	11.0		
		$I_{DD(on) 2}$	$R_{ext}=306\Omega, \overline{OUT0} \sim \overline{OUT15} =\text{On}$	-	9.5	12.5		
Thermal Flag Temperature		$T_{TF}$	Junction Temperature	135	150	165	$^{\circ}C$	

\*One channel on.

Electrical Characteristics ( $V_{DD}=3.3V$ )

Characteristics		Symbol	Condition	Min.	Typ.	Max.	Unit	
Supply Voltage		$V_{DD}$	-	3.0	3.3	3.6	V	
Sustaining Voltage at OUT Ports		$V_{DS}$	$\overline{OUT0} \sim \overline{OUT15}$	-	-	17.0	V	
Output Current		$I_{OUT}$	Refer to "Test Circuit for Electrical Characteristics"	3	-	30	mA	
		$I_{OH}$	SDO	-	-	-1.0	mA	
		$I_{OL}$	SDO	-	-	1.0	mA	
Input Voltage	"H" level	$V_{IH}$	$T_a=-40\sim 85^{\circ}C$	$0.7 \times V_{DD}$	-	$V_{DD}$	V	
	"L" level	$V_{IL}$	$T_a=-40\sim 85^{\circ}C$	GND	-	$0.3 \times V_{DD}$	V	
Output Leakage Current		$I_{OH}$	$V_{DS}=17.0V$	-	-	0.5	$\mu A$	
Output Voltage	SDO	$V_{OL}$	$I_{OL}=+1.0mA$	-	-	0.4	V	
		$V_{OH}$	$I_{OH}=-1.0mA$	2.9	-	-	V	
Current Skew (Channel)		$dI_{OUT}$	$I_{OUT}=21mA$ $V_{DS}=1.0V$	$R_{ext}=680\Omega$	-	$\pm 1.5$	$\pm 3.0$	%
		$dI_{OUT}$	$I_{OUT}=30mA$ $V_{DS}=1.0V$	$R_{ext}=460\Omega$	-	$\pm 1.5$	$\pm 3.0$	%
Current Skew (IC)		$dI_{OUT2}$	$I_{OUT}=21mA$ $V_{DS}=1.0V$	$R_{ext}=680\Omega$	-	$\pm 3.0$	$\pm 6.0$	%
		$dI_{OUT2}$	$I_{OUT}=30mA$ $V_{DS}=1.0V$	$R_{ext}=460\Omega$	-	$\pm 3.0$	$\pm 6.0$	%
Output Current vs. Output Voltage Regulation		$\%/dV_{DS}$	$V_{DS}$ within 1.0V and 3.0V, $R_{ext}=680\Omega @ 21mA$	-	$\pm 0.1$	$\pm 0.3$	% / V	
Output Current vs. Supply Voltage Regulation		$\%/dV_{DD}$	$V_{DD}$ within 3.0V and 3.6V	-	$\pm 1.0$	$\pm 2.0$	% / V	
Pull-down Resistor		$R_{IN(down)}$	LE	250	450	800	K $\Omega$	
Supply Current	"Off"	$I_{DD(off) 1}$	$R_{ext}=Open, \overline{OUT0} \sim \overline{OUT15} = Off$	-	2.5	4.5	mA	
		$I_{DD(off) 2}$	$R_{ext}=680\Omega, \overline{OUT0} \sim \overline{OUT15} = Off$	-	6.5	9.5		
		$I_{DD(off) 3}$	$R_{ext}=460\Omega, \overline{OUT0} \sim \overline{OUT15} = Off$	-	8.5	11.5		
	"On"	$I_{DD(on) 1}$	$R_{ext}=680\Omega, \overline{OUT0} \sim \overline{OUT15} = On$	-	8.0	11.0		
		$I_{DD(on) 2}$	$R_{ext}=460\Omega, \overline{OUT0} \sim \overline{OUT15} = On$	-	9.5	12.5		
Thermal Flag Temperature		$T_{TF}$	Junction Temperature	135	150	165	$^{\circ}C$	

Test Circuit for Electrical Characteristics

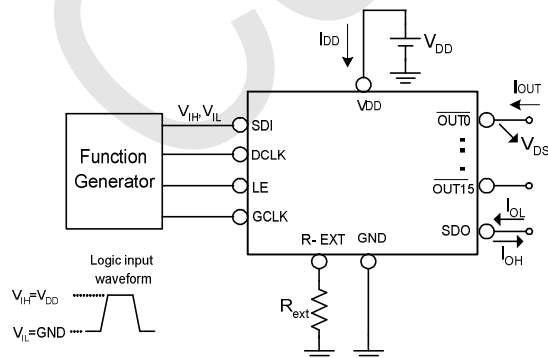


Figure 2

Switching Characteristics ( $V_{DD}=5.0V$ )

(Test condition:  $T_a=25^{\circ}C$ )

Characteristics		Symbol	Condition	Min.	Typ.	Max.	Unit
Setup Time	SDI - DCLK $\uparrow$	$t_{SU0}$	$V_{DD}=5.0V$ $V_{IH}=V_{DD}$ $V_{IL}=GND$ $R_{ext}=700\Omega$ $V_{DS}=1V$ $R_L=200\Omega$ $C_L=10pF$ $C_1=100nF$ $C_2=10\mu F$ $C_{SDO}=10pF$	1	-	-	ns
	LE $\uparrow$ - DCLK $\uparrow$	$t_{SU1}$		1	-	-	ns
	LE $\downarrow$ - DCLK $\uparrow$	$t_{SU2}$		5	-	-	ns
Hold Time	DCLK $\uparrow$ - SDI	$t_{H0}$		3	-	-	ns
	DCLK $\uparrow$ - LE $\downarrow$	$t_{H1}$		7	-	-	ns
Propagation Delay Time	DCLK - SDO	$t_{PD0}$		-	25	33	ns
	GCLK - $\overline{OUT4n}$ *	$t_{PD1}$		-	50	-	ns
	LE - SDO**	$t_{PD2}$ **		-	30	40	ns
Staggered Delay of Output	$\overline{OUT4n+1}$ *	$t_{DL1}$		-	5	-	ns
	$\overline{OUT4n+2}$ *	$t_{DL2}$		-	10	-	ns
	$\overline{OUT4n+3}$ *	$t_{DL3}$		-	15	-	ns
Pulse Width	LE	$t_{w(L)}$		5	-	-	ns
	DCLK	$t_{w(DCLK)}$		15	-	-	ns
	GCLK	$t_{w(GCLK)}$	15	-	-	ns	
Output Rise Time of Output Ports		$t_{OR}$	15	25	-	ns	
Output Fall Time of Output Ports		$t_{OF}$	10	15	-	ns	
Data Clock Frequency		$F_{DCLK}$	-	-	30	MHz	
Gray Scale Clock Frequency****		$F_{GCLK}$	-	-	33	MHz	

\* Refer to the Timing Waveform, where n=0, 1, 2, 3.

\*\*In timing of "Read Configuration", the next DCLK rising edge should be  $t_{PD2}$  after the falling edge of LE.

\*\*\*Refer to Figure 5.

\*\*\*\*With uniform output current.

Switching Characteristics ( $V_{DD}=3.3V$ )

(Test condition:  $T_a=25^{\circ}C$ )

Characteristics	Symbol	Condition	Min.	Typ.	Max.	Unit
Setup Time	SDI - DCLK $\uparrow$	$t_{SU0}$	1	-	-	ns
	LE $\uparrow$ - DCLK $\uparrow$	$t_{SU1}$	1	-	-	ns
	LE $\downarrow$ - DCLK $\uparrow$	$t_{SU2}$	5	-	-	ns
Hold Time	DCLK $\uparrow$ - SDI	$t_{H0}$	3	-	-	ns
	DCLK $\uparrow$ - LE $\downarrow$	$t_{H1}$	7	-	-	ns
Propagation Delay Time	DCLK - SDO	$t_{PD0}$	-	30	40	ns
	GCLK - $\overline{OUT4n}$ *	$t_{PD1}$	-	60	-	ns
	LE - SDO	$t_{PD2}$ **	-	40	50	ns
Staggered Delay of Output	$\overline{OUT4n+1}$ *	$t_{DL1}$	-	5	-	ns
	$\overline{OUT4n+2}$ *	$t_{DL2}$	-	10	-	ns
	$\overline{OUT4n+3}$ *	$t_{DL3}$	-	15	-	ns
Pulse Width	LE	$t_{W(L)}$	5	-	-	ns
	DCLK	$t_{W(DCLK)}$	20	-	-	ns
	GCLK	$t_{W(GCLK)}$	20	-	-	ns
Output Rise Time of Output Ports	$t_{OR}$		20	30	-	ns
Output Fall Time of Output Ports	$t_{OF}$		30	40	-	ns
Data Clock Frequency	$F_{DCLK}$		-	-	25	MHz
Gray Scale Clock Frequency****	$F_{GCLK}$		-	-	20	MHz

$V_{DD}=3.3V$   
 $V_{IH}=V_{DD}$   
 $V_{IL}=GND$   
 $R_{ext}=700\Omega$   
 $V_{DS}=1V$   
 $R_L=200\Omega$   
 $C_L=10pF$   
 $C_1=100nF$   
 $C_2=10\mu F$   
 $C_{SDO}=10pF$

\* Refer to the Timing Waveform, where  $n=0, 1, 2, 3$ .

\*\*In timing of "Read Configuration", the next DCLK rising edge should be  $t_{PD2}$  after the falling edge of LE.

\*\*\*Refer to Figure 5.

\*\*\*\*With uniform output current.

Test Circuit for Switching Characteristics

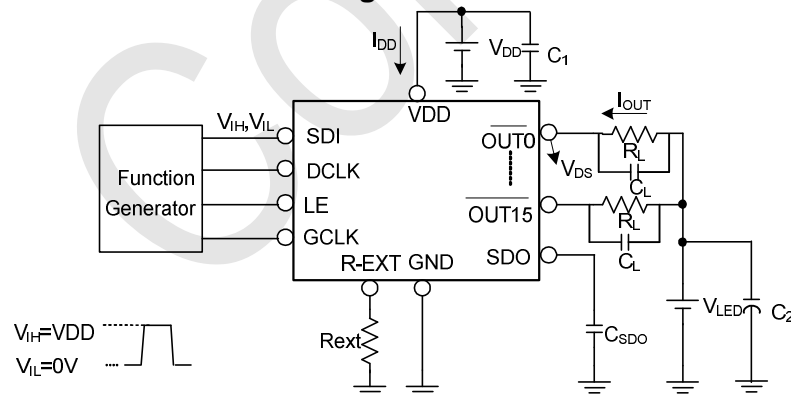
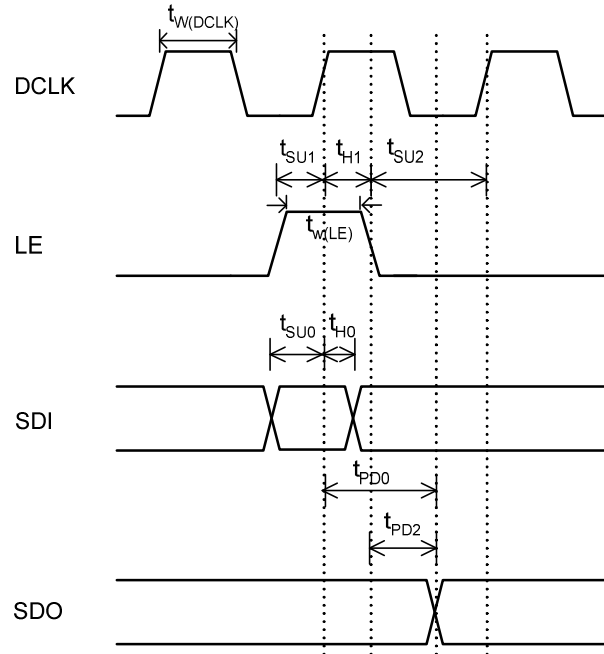


Figure 3

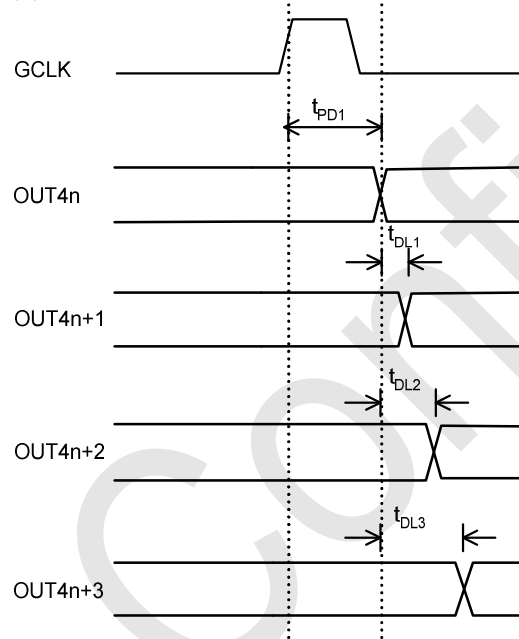


Timing Waveform

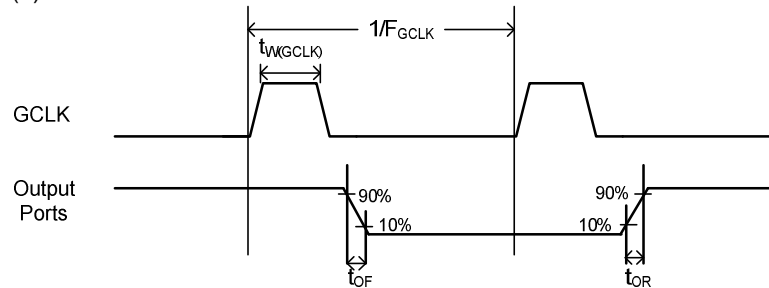
(1)



(2)



(3)

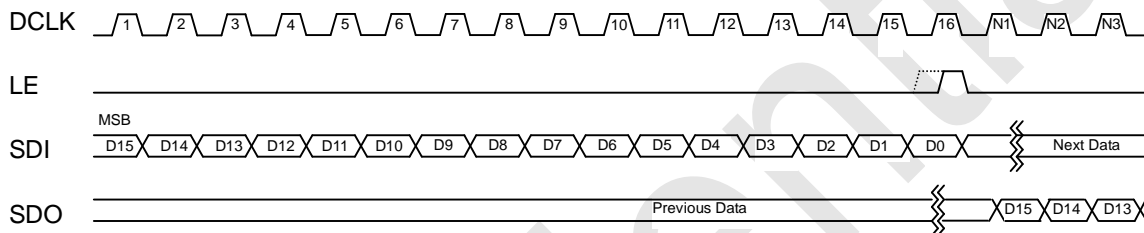


Principle of Operation

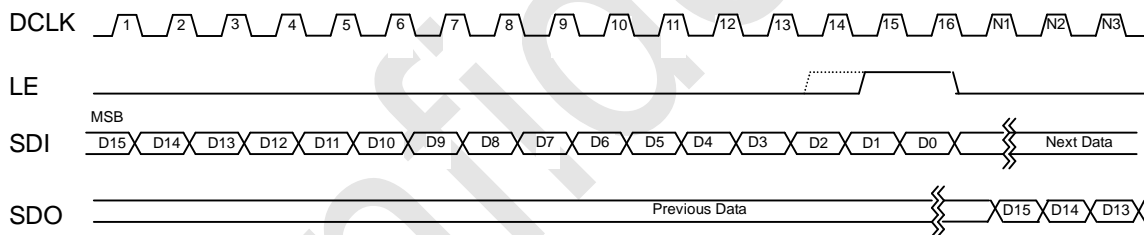
Control Command

Command Name	Signals Combination		Description
	LE	Number of DCLK Rising Edge when LE is asserted	
Data Latch	High	0 or 1	Serial data are transferred to the buffers
Global Latch	High	2 or 3	Buffer data are transferred to the comparators
Read Configuration	High	4 or 5	Move out "configuration register" to the shift registers
Write Configuration	High	10 or 11	Serial data are transferred to the "configuration register"
Reset PWM Counter	High	12 or 13	If bit "B" of the configuration register is set to "1", this command will reset PWM counter.

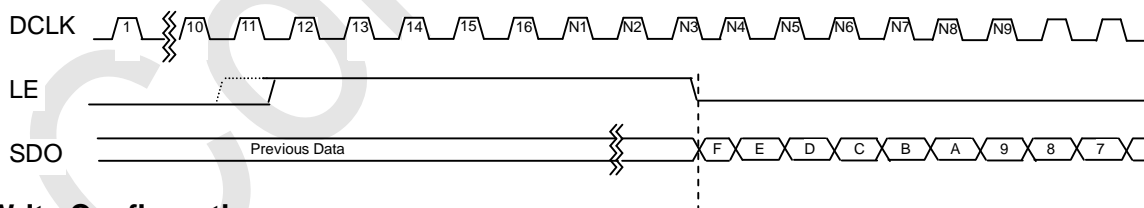
Data Latch



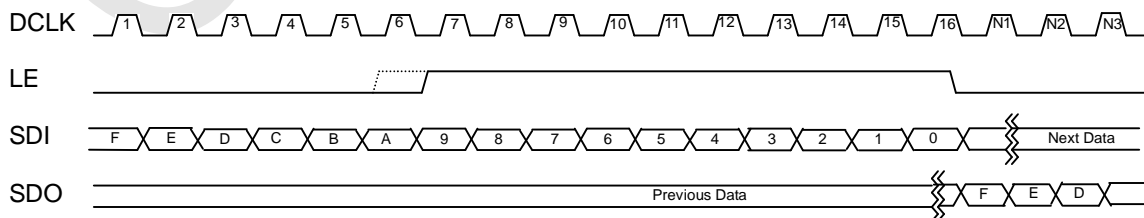
Global Latch



Read Configuration



Write Configuration



**Setting Gray Scales of Pixels**

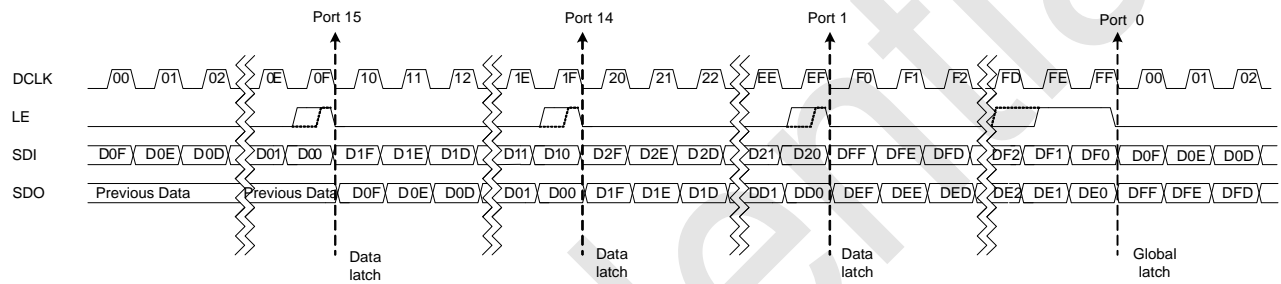
MBI5042 implements the gray level of each output port using the S-PWM™ control algorithm. With the 16-bit data, all output channels can be built with 65,536 gray scales.

There are two methods to issue the “global latch” command.

1. When configuration bit “F” is set to “0” (Default), the 16-bit input shift register latches 15 times of the gray scale data into each data buffer with a “data latch” command sequentially. With a “global latch” command for the 16<sup>th</sup> gray scale data, the 256-bit data buffers will be clocked in with the MSB first, loading the data from port 15 to port 0.
2. When configuration bit “F” is set to “1”, the 16-bit input shift register latches 16 times of the gray scale data into each data buffer with a “data latch” command sequentially. With a “global latch” command for additional latch, the 256-bit data buffers will be clocked in with the MSB first, loading the data from port 15 to port 0.

**Full Timing for Data Loading**

When bit “F” = “0”



When bit “F” = “1”

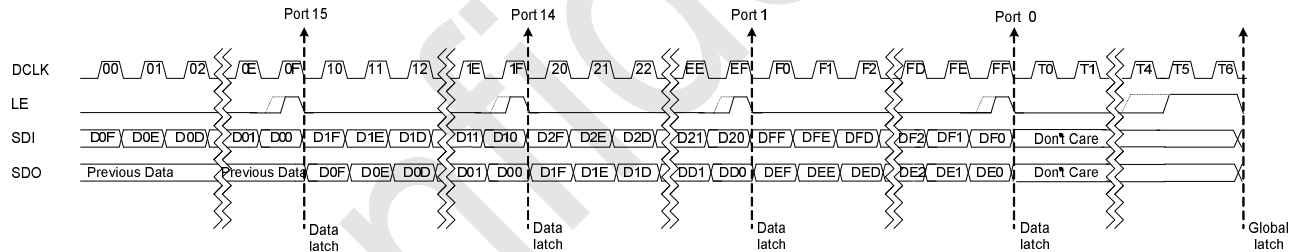


Figure 4

**Definition of Configuration Register**

MSB															LSB
F	E	D	C	B	A	9	8	7	6	5	4	3	2	1	0

e.g.. Default Value

F	E	D	C	B	A	9	8	7	6	5	4	3	2	1	0
0	0	0	0	0	0	6'b101011						0	0	0	0

Bit	Attribute	Definition	Value	Function
F	Read/Write	Data loading	0 (Default)	15 times of "data latch" + 1 "global latch"
			1	16 times of "data latch" + 1 "global latch"
E	Read/Write	Reserved	0 (Default)	NA
			1	NA
D	Read/Write	Reserved	0 (Default)	NA
			1	NA
C	Read/Write	Reserved	0 (Default)	NA
			1	NA
B	Read/Write	PWM counter reset	0(Default)	Disable
			1	Enable with 12 or 13 DCLKs (rising edge) when LE is asserted
A	Read/Write	PWM data synchronization mode	0 (Default)	Auto-synchronization
			1	Manual synchronization
9~4	Read/Write	Current gain adjustment	000000 ~ 111111	6'b101011 (Default)
3~0	Read/Write	Reserved	0 (Default)	NA
			1	NA

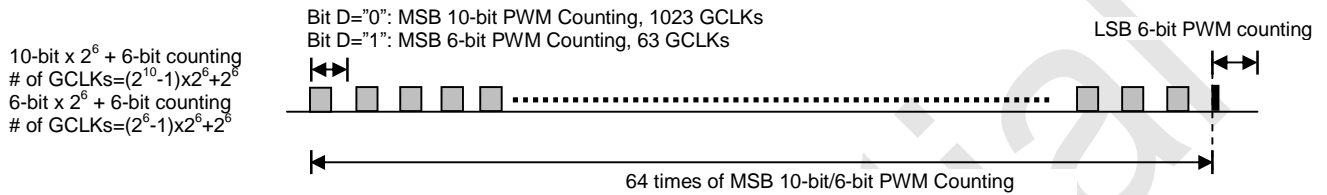
Confidential

**Setting the PWM Gray Scale Counter**

MBI5042 provides a selectable 16-bit or 12-bit color depth. The value of 16-bit image data of each output will be only implemented according 16-bit or 12-bit PWM counter. The default bit "D" is set to "0" for 16-bit color depth.

**The PWM Counting Mode**

MBI5042 defines the different counting algorithms that support S-PWM™, scrambled PWM, technology. With S-PWM™, the total PWM cycles can be broken down into MSB (Most Significant Bits) and LSB (Least Significant Bits) of gray scale cycles, and the MSB information can be dithered across many refresh cycles to achieve overall same high bit resolution.



■ : Output ports are turned "on".

Confidential

**Synchronization for PWM Counting**

Between the data frame and the video frame, when the bit “A” is set to “0” (Default), MBI5042 will automatically handle the synchronization of previous data and next data for PWM counting. The next image data will be updated to output buffers and start PWM counting when the previous data has finished one internal PWM cycle. It will prevent the lost count of image data resolution and guarantee the data accuracy. In this mode, system controller only needs to provide a continuous running GCLK for PWM counter. The output will be renewed after finishing one of MSB PWM cycles.

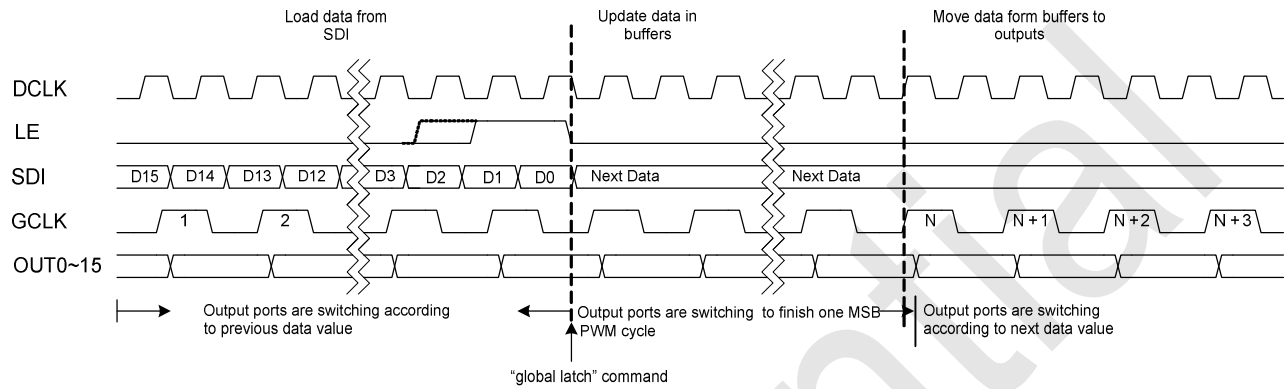


Figure 6

When the bit “A” is set to “1”, MBI5042 will update the next image data into output buffer immediately, no matter the counting status of previous image data is. In this mode, system controller will synchronize the GCLK according image data outside MBI5042 by itself. Otherwise, the conflict of previous image data and next image data will cause the data lost.

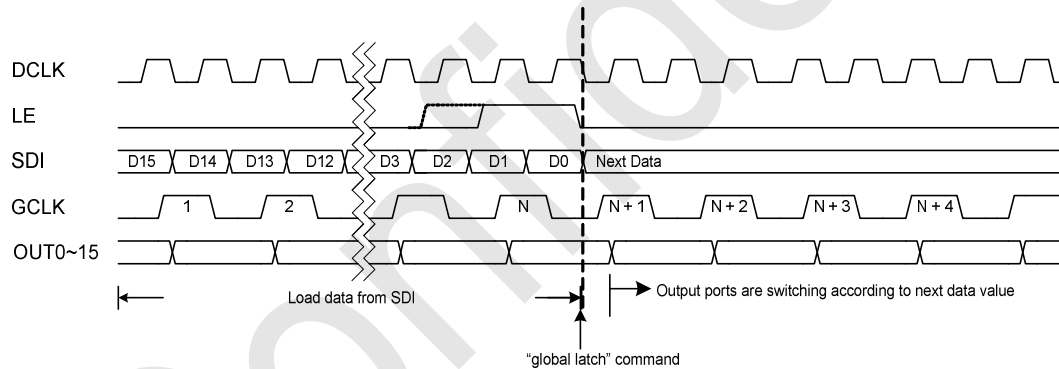


Figure 7

### Constant Current

In LED display application, MBI5042 provides nearly no variation in current from channel to channel and from IC to IC. This can be achieved by:

- 1) The typical current variation between channels is less than 1.5%, and that between ICs is less than  $\pm 3\%$ .
- 2) In addition, the current characteristic of output stage is flat and users can refer to the figure as shown below. The output current can be kept constant regardless of the variations of LED forward voltages ( $V_F$ ). This guarantees LED to be performed on the same brightness as user's specification.

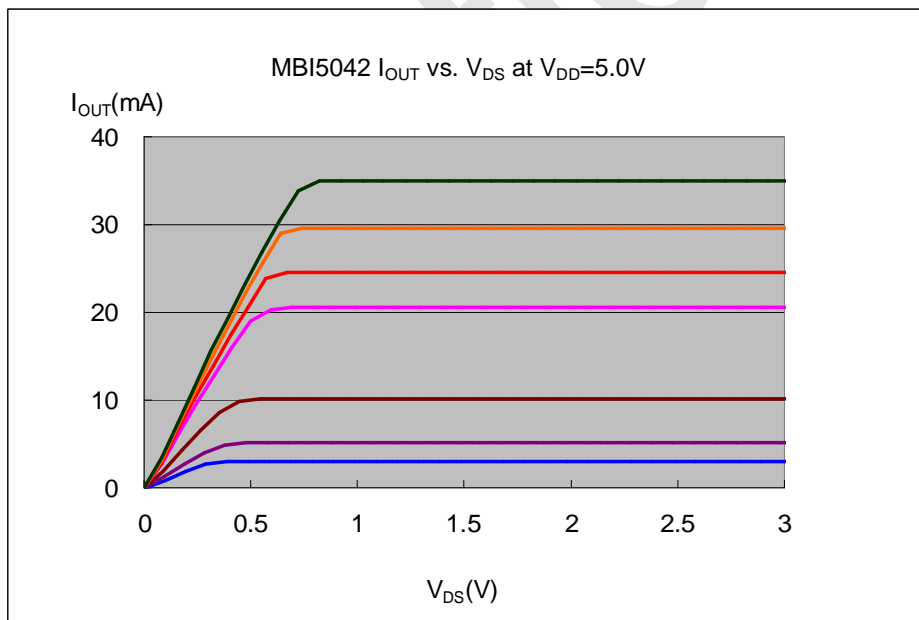
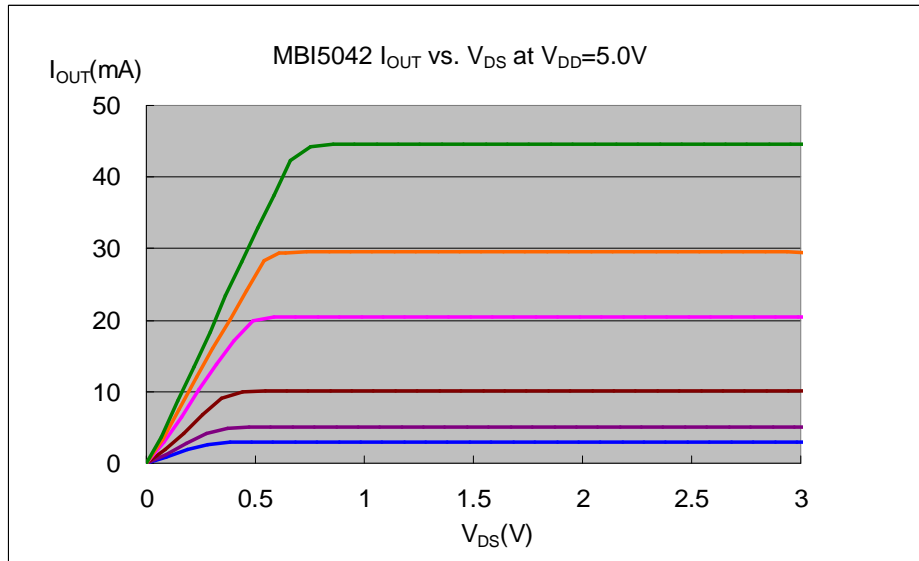


Figure 8

### Setting Output Current

The output current ( $I_{OUT}$ ) is set by an external resistor,  $R_{ext}$ . The default relationship between  $I_{OUT}$  and  $R_{ext}$  is shown in the following figure.

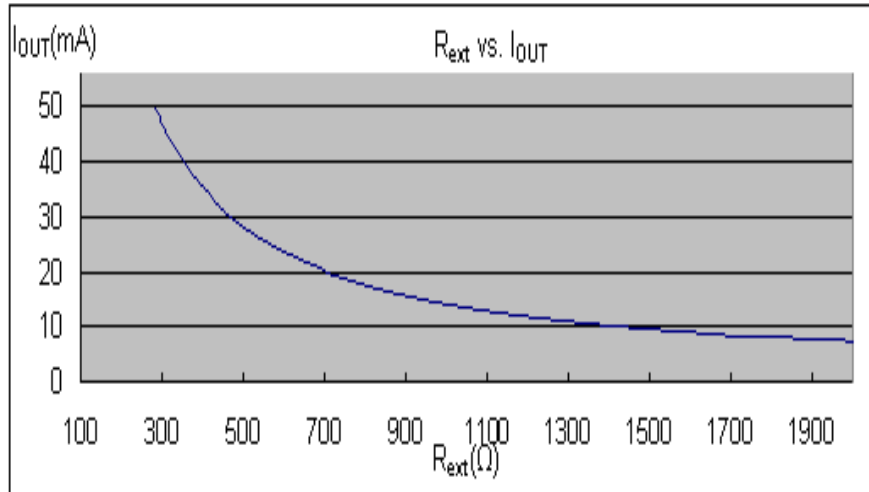


Figure 9

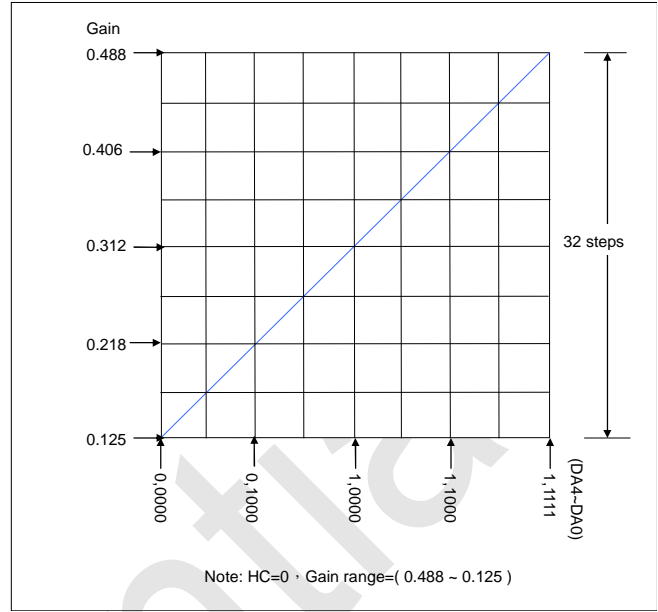
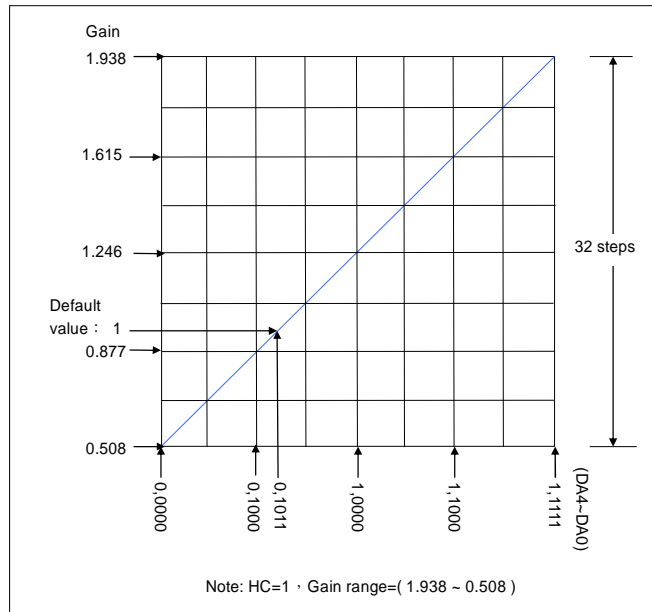
Also, the output current can be calculated from the equation:

$$V_{R-EXT} = 0.61 \text{ Volt} \times G; I_{OUT} = (V_{R-EXT} / R_{ext}) \times 23.3$$

Whereas  $R_{ext}$  is the resistance of the external resistor connected to R-EXT terminal and  $V_{R-EXT}$  is its voltage. G is the digital current gain, which is set by the bit9 – bit2 of the configuration register. The default value of G is 1. For your information, the output current is about 20mA when  $R_{ext} = 700\Omega$  and 60mA when  $R_{ext} = 230\Omega$  if G is set to default value 1. The formula and setting for G are described in next section.



Current Gain Adjustment



The bit 9 to bit 4 of the configuration register set the gain of output current, i.e., G. As totally 6-bit in number, i.e., ranged from 6'b00000000 to 6'b11111111, these bits allow the user to set the output current gain up to 64 levels. These bits can be further defined inside Configuration Register as follows:

F	E	D	C	B	A	9	8	7	6	5	4	3	2	1	0
-	-	-	-	-	-	HC	DA4	DA3	DA2	DA1	DA0	-	-	-	-

1. Bit 9 is HC bit. The setting is in low current band when HC=0, and in high current band when HC=1.
2. Bit 8 to bit 4 are DA4 ~ DA0.

The relationship between these bits and current gain G is:

$$HC=1, D=(65xG-33)/3$$

$$HC=0, D=(256xG-32)/3$$

and D in the above decimal numeration can be converted to its equivalent in binary form by the following equation:

$$D= DA4x2^4+DA3x2^3+DA2x2^2+DA1x2^1+DA0x2^0$$

In other words, these bits can be looked as a floating number with 1-bit exponent HC and 5-bit mantissa DA4-DA0.

For example,

$$HC=1, G=1.246, D=(65x1.246-33)/3=16$$

the D in binary form would be:

$$D=16=1x2^4+0x2^3+0x2^2+0x2^1+0x2^0$$

The 6 bits (bit 5~bit 0) of the configuration register are set to 6'b110000.

Staggered Delay of Output

MBI5042 has a built-in staggered circuit to perform delay mechanism. Among output ports exist a graduated 5ns delay time among  $\overline{OUT4n}$  ,  $\overline{OUT4n+1}$  ,  $\overline{OUT4n+2}$  , and  $\overline{OUT4n+3}$  , by which the output ports will be divided to four groups at a different time so that the instant current from the power line will be lowered.

### Package Power Dissipation (PD)

The maximum allowable package power dissipation is determined as  $P_D(max)=(T_J-T_a)/R_{th(j-a)}$ . When 16 output channels are turned on simultaneously, the actual package power dissipation is

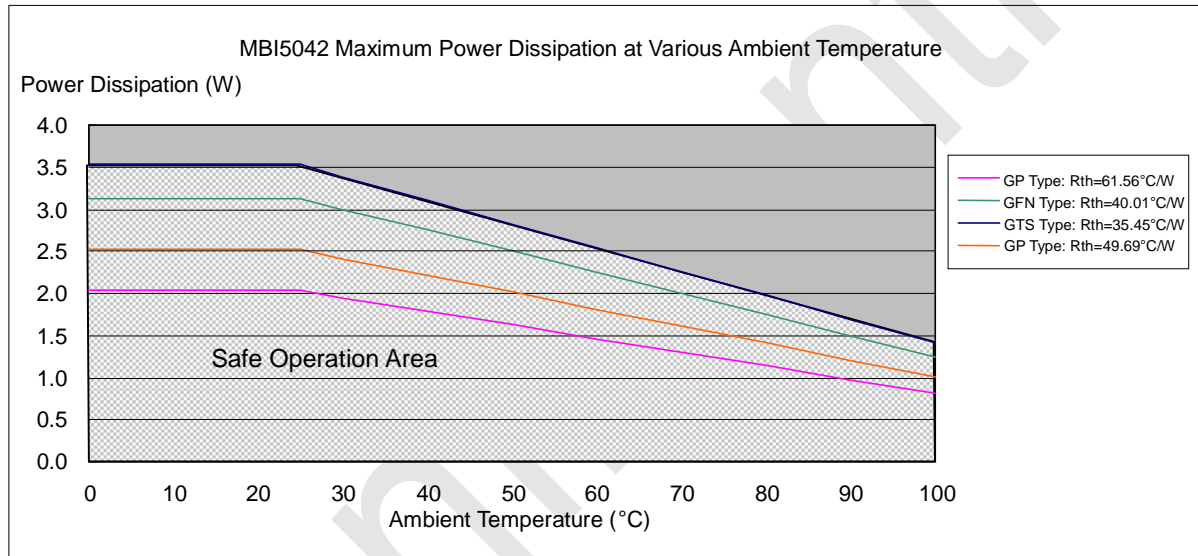
$P_D(act)=(I_{DD} \times V_{DD})+(I_{OUT} \times Duty \times V_{DS} \times 16)$ . Therefore, to keep  $P_D(act) \leq P_D(max)$ , the allowable maximum output current as a function of duty cycle is:

$$I_{OUT} = \{[(T_J - T_a) / R_{th(j-a)}] - (I_{DD} \times V_{DD})\} / V_{DS} / Duty / 16, \text{ where } T_J = 150^\circ\text{C}.$$

Please see the follow table for  $P_D$  and  $R_{th(j-a)}$  for different package

Device Type	$R_{th(j-a)}$ ( $^\circ\text{C/W}$ )	$P_D$ (W)
GF	49.69	2.52
GP	61.56	2.03
GTS	35.45	3.53
GFN	40.01	3.12

The maximum power dissipation,  $P_D(max)=(T_J-T_a)/R_{th(j-a)}$ , decreases as the ambient temperature increases.



### Usage of Thermal Pad

The PCB area  $L2 \times W2$  is 4 times of the IC's area  $L1 \times W1$ . The thickness of the PCB is 1.6mm, copper foil 1 Oz. The thermal pad on the IC's bottom has to be mounted on the copper foil.

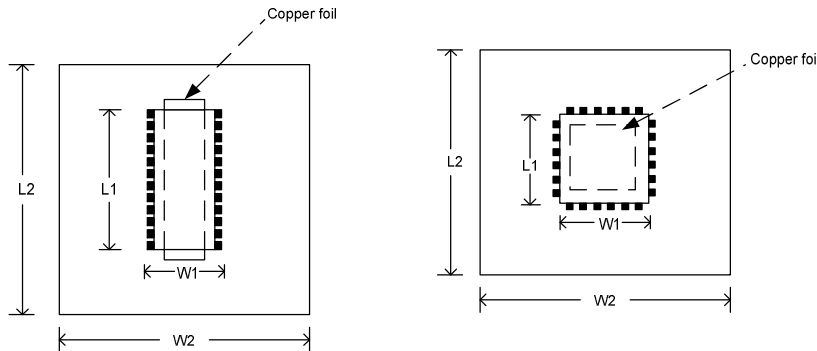


Figure 12

### LED Supply Voltage ( $V_{LED}$ )

MBI5042 are designed to operate with  $V_{DS}$  ranging from 0.4V to 1.0V (depending on  $I_{OUT}=5\sim 90mA$ ) considering the package power dissipating limits.  $V_{DS}$  may be higher enough to make  $P_{D( act )} > P_{D( max )}$  when  $V_{LED}=5V$  and  $V_{DS}=V_{LED}-V_F$ , in which  $V_{LED}$  is the load supply voltage. In this case, it is recommended to use the lowest possible supply voltage or to set an external voltage reducer,  $V_{DROP}$ .

A voltage reducer lets  $V_{DS}=(V_{LED}-V_F)-V_{DROP}$ .

Resistors or Zener diode can be used in the applications as shown in the following figures.

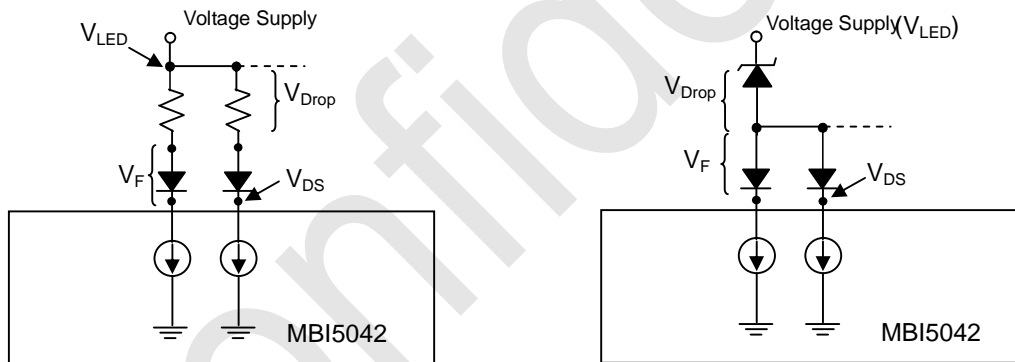
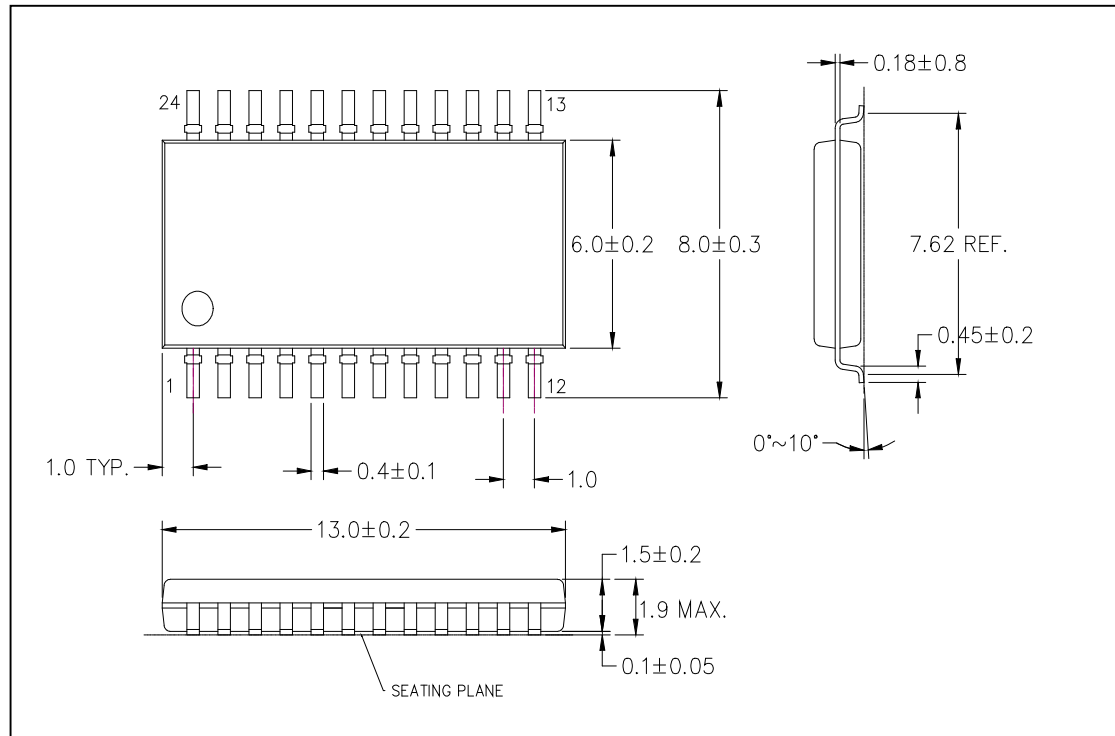


Figure 13

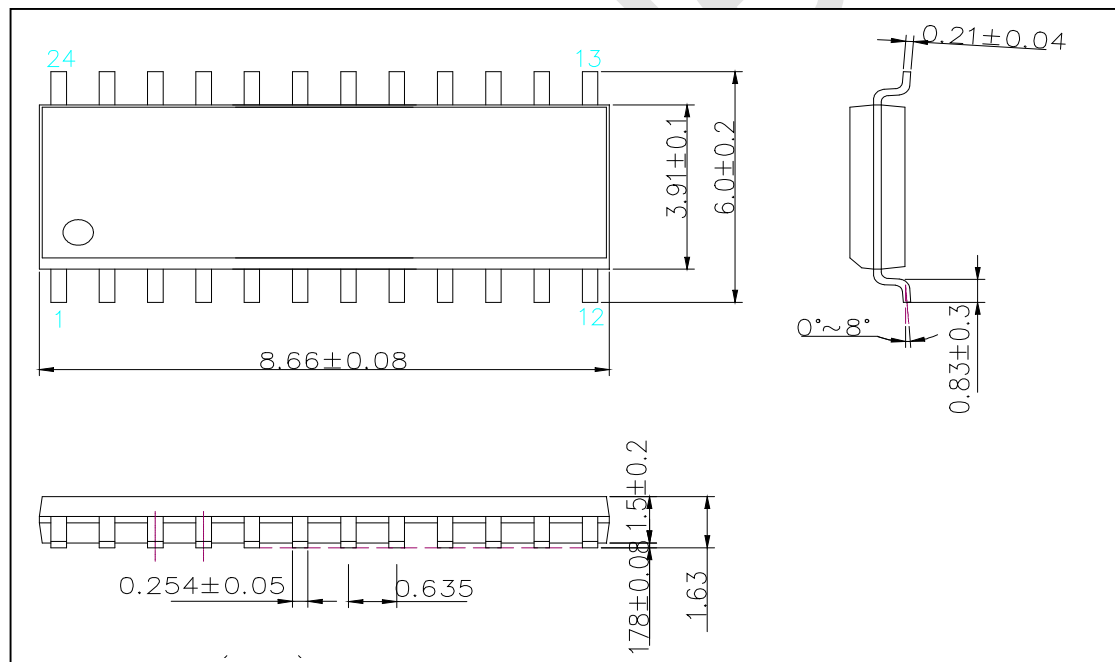
### Switching Noise Reduction

LED drivers are frequently used in switch-mode applications which always behave with switching noise due to the parasitic inductance on PCB. To eliminate switching noise, refer to "Application Note for 8-bit and 16-bit LED Drivers-Overshoot".

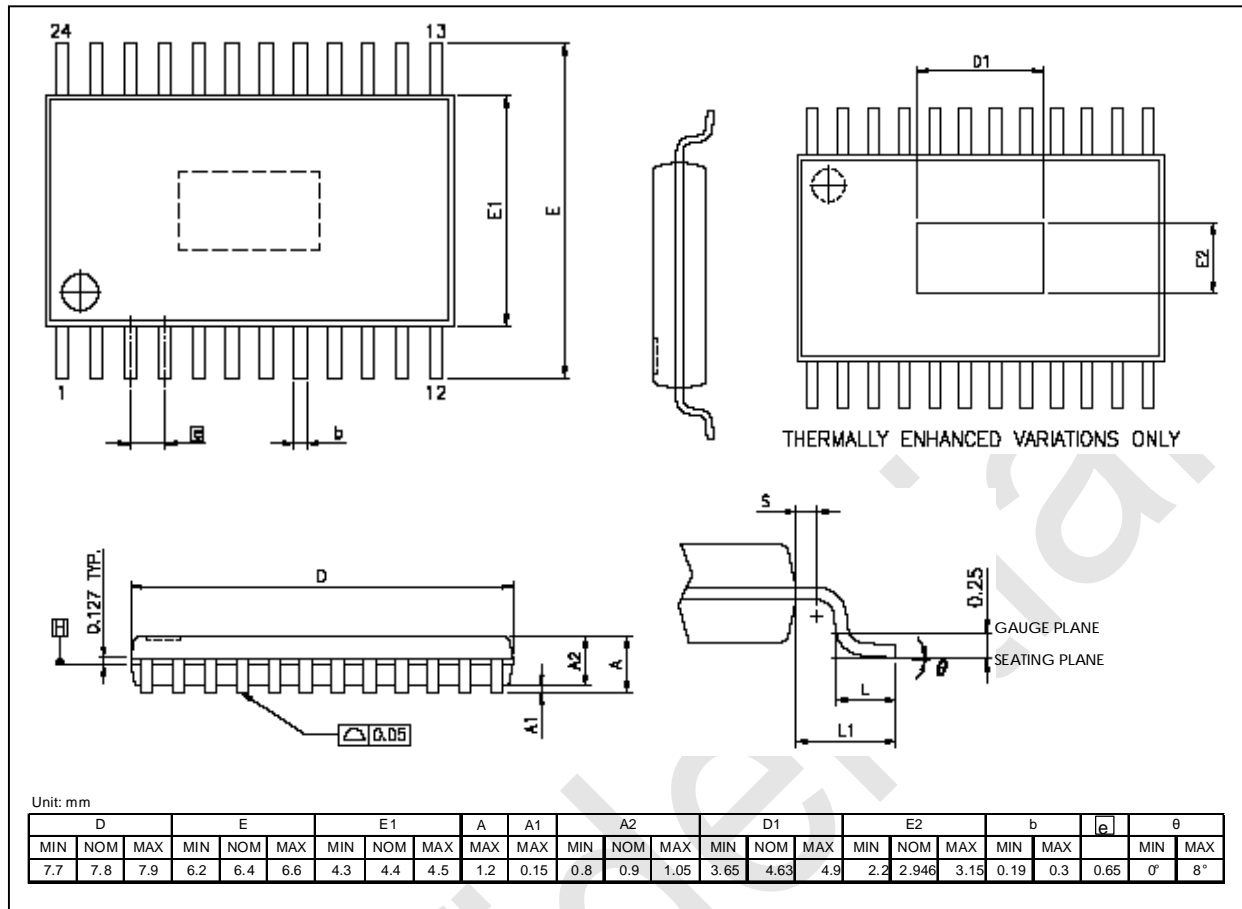
Package Outline



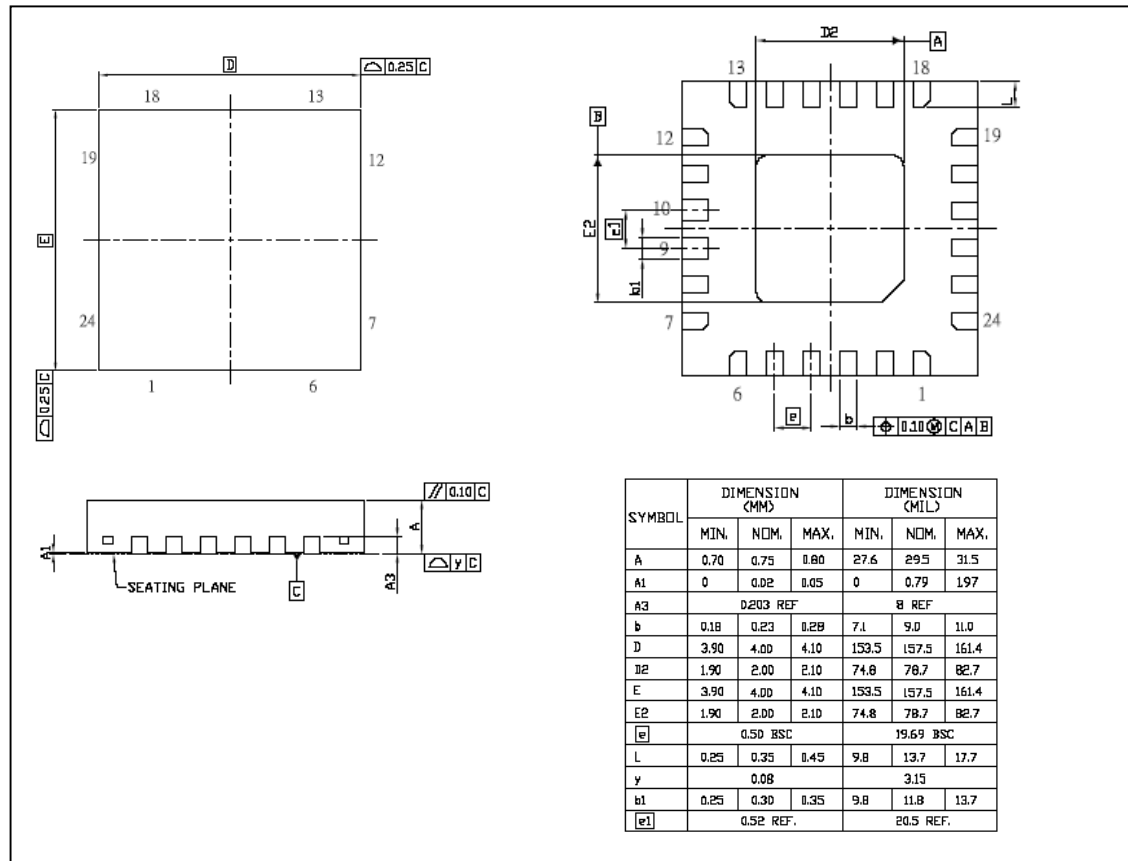
MBI5042 GF Outline Drawing



MBI5042 GP Outline Drawing



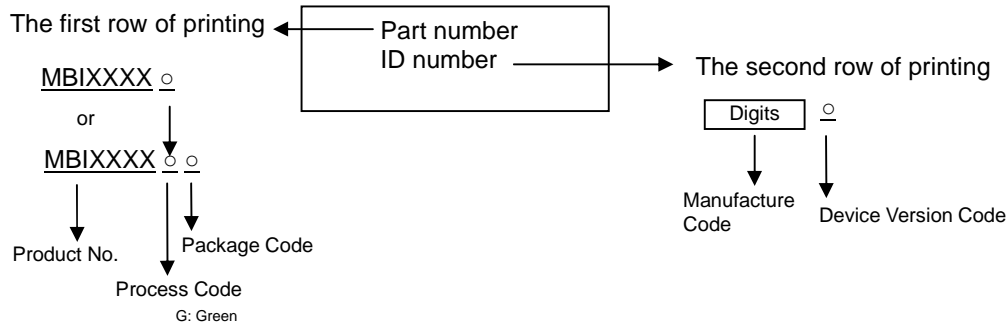
MBI5042 GTS Outline Drawing



MBI5042 GFN Outline Drawing

Note: The unit for the outline drawing is mm.

**Product Top Mark Information**



**Product Revision History**

Datasheet version	Device Version Code
V0.1	A

**Product Ordering Information**

Part Number	“Pb-free & Green” Package Type	Weight (g)
MBI5042GF	SOP24-300-1.00	0.30
MBI5040GP	SSOP24-150-0.64	0.11
MBI5042GTS	TSSOP24-173 -0.65	0.0967
MBI5042GFN	QFN24-4*4- 0.5	0.0379

### Disclaimer

Macroblock reserves the right to make changes, corrections, modifications, and improvements to their products and documents or discontinue any product or service without notice. Customers are advised to consult their sales representative for the latest product information before ordering. All products are sold subject to the terms and conditions supplied at the time of order acknowledgement, including those pertaining to warranty, patent infringement, and limitation of liability.

Macroblock's products are not designed to be used as components in device intended to support or sustain life or in military applications. Use of Macroblock's products in components intended for surgical implant into the body, or other applications in which failure of Macroblock's products could create a situation where personal death or injury may occur, is not authorized without the express written approval of the Managing Director of Macroblock.

Macroblock will not be held liable for any damages or claims resulting from the use of its products in medical and military applications.

Related technologies applied to the product are protected by patents. All text, images, logos and information contained on this document is the intellectual property of Macroblock. Unauthorized reproduction, duplication, extraction, use or disclosure of the above mentioned intellectual property will be deemed as infringement.

Confidential