

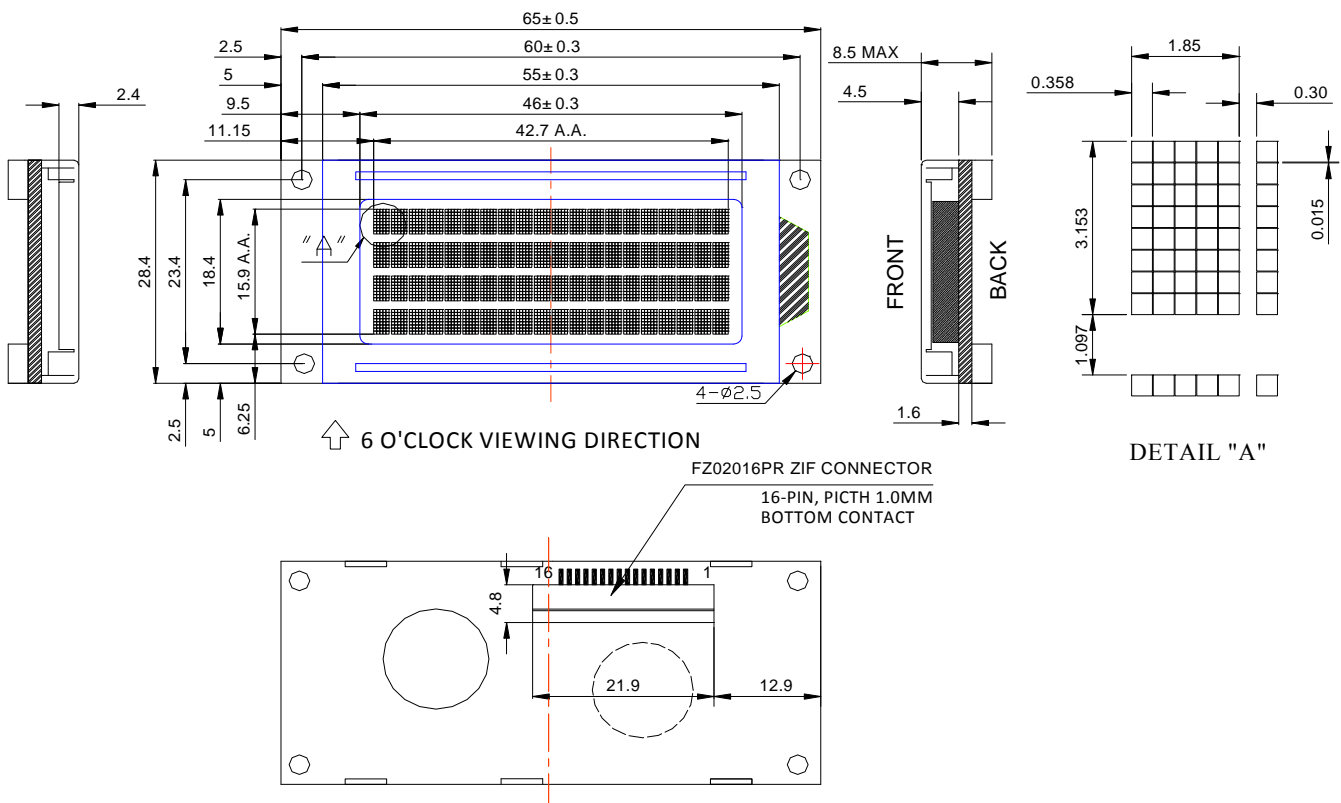
GDM2004J-FSW-FBW-3.3V/P

SPECIFICATIONS OF LCD MODULE

Features

1. 20x4 characters of 5x8 dot with cursor
2. Built-in controller ST7066U or equivalence.
3. FSTN LCD, transfective mode, positive display
4. 6:00 O'clock viewing direction
5. 1/16 duty cycle
6. Easy interface with 4-bit or 8-bit MPU
7. +3.3V power supply
8. Side type LED backlight, white color, to be driven by pin15, pin16

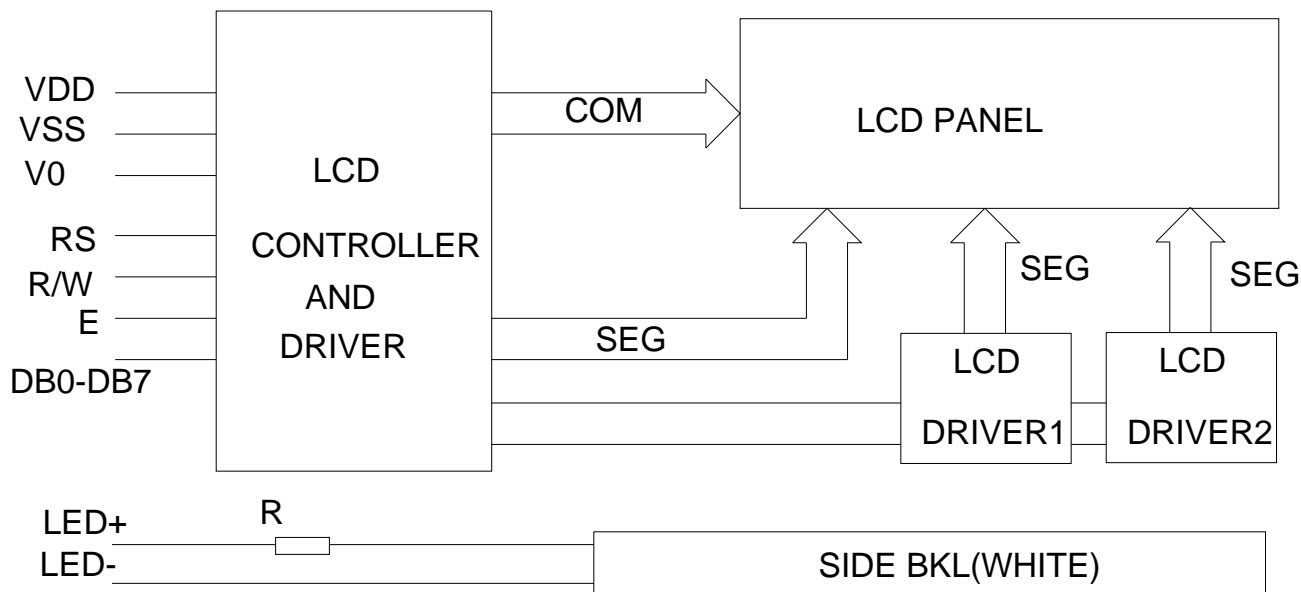
Outline dimension



Absolute maximum ratings

Item	Symbol	Standard	Unit
Power voltage	$V_{DD}-V_{SS}$	0	V
Input voltage	V_{IN}	V_{SS}	
Operating temperature range	V_{OP}	-20	°C
Storage temperature range	V_{ST}	-30	

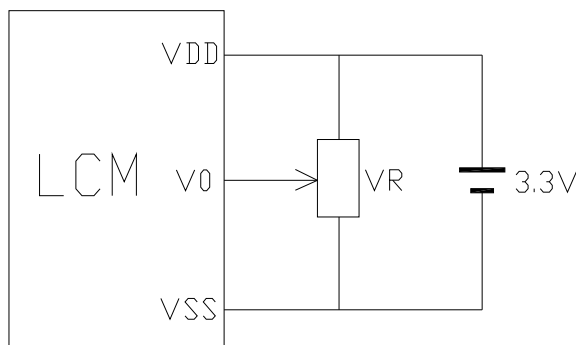
Block diagram



Interface pin description

Pin no.	Symbol	External connection	Function
1	V _{SS}	Power supply	Signal ground for LCM (GND)
2	V _{DD}		Power supply for logic (+3.3V) for LCM
3	V ₀		Contrast adjust
4	RS	MPU	Register select signal
5	R/W	MPU	Read/write select signal
6	E	MPU	Operation (data read/write) enable signal
7~10	DB0~DB3	MPU	Four low order bi-directional three-state data bus lines. Used for data transfer between the MPU and the LCM. These four are not used during 4-bit operation.
11~14	DB4~DB7	MPU	Four high order bi-directional three-state data bus lines. Used for data transfer between the MPU
15	LED+(A)	LED BKL power Supply	Power supply for BKL (+3.3V)
16	LED-(K)		Power supply for BKL (GND)

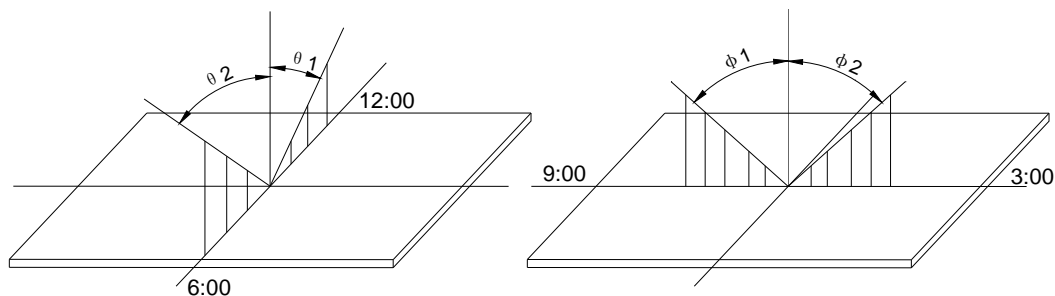
Contrast adjust



V_{DD}-V₀: LCD Driving voltage

VR: 10k~20k

Optical characteristics

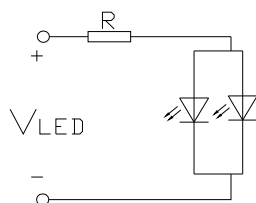


FSTN display module (Ta=25°C, V_{DD}=3.3V)

Item	Symbol	Condition	Min.	Typ.	Max.	Unit
Viewing angle	θ	$Cr \geq 2$	-60	-	35	deg
	Φ		-40	-	40	
Contrast ratio	Cr		-	6	-	-
Response time (rise)	Tr	-	-	190	280	ms
Response time (fall)	Tr	-	-	200	290	

Electrical characteristics

Backlight circuit diagram (white color)



Backlight rating

Item	Symbol	Min	Typ.	Max	Unit
Forward Voltage	V _{LED}	3.1	3.3	3.6	V
Forward current	I _F		25	30	mA
Power	P			150	mW
Luminance	L _v		250	400	Cd/m ²

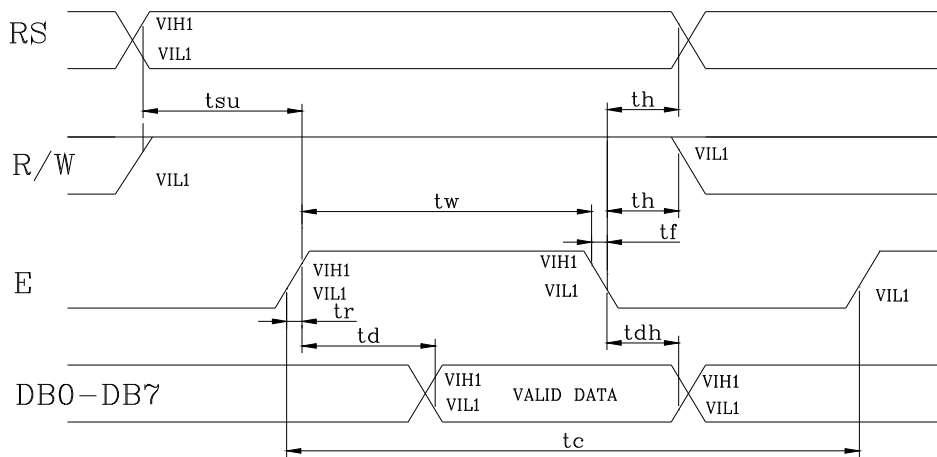
DC characteristics

Parameter	Symbol	Conditions	Min.	Typ.	Max.	Unit
Supply voltage for LCD	V _{DD} -V ₀	Ta =25°C	-	3.3	3.6	V
Input voltage	V _{DD}		2.7	3.3	3.6	
Backlight supply voltage	V _F	R _{LED} =10Ω	-	3.3	3.5	
Supply current	I _{DD}	Ta=25°C, V _{DD} =3.3V	-	2.5	3.5	mA
Backlight supply current	I _F	V _{LED} =3.3V R _{LED} =10Ω	-	20	25	
Input leakage current	I _{LKG}		-	-	1.0	uA
“H” level input voltage	V _{IH}		2.2	-	V _{DD}	V
“L” level input voltage	V _{IL}	Twice initial value or less	0	-	0.6	
“H” level output voltage	V _{OH}	I _{OH} =-0.25mA	2.4	-	-	
“L” level output voltage	V _{OL}	I _{OH} =1.6mA	-	-	0.4	

Read cycle (Ta=25°C, VDD=3.3V)

Parameter	Symbol	Test pin	Min.	Typ.	Max.	Unit
Enable cycle time	tc	E	1200	-	-	ns
Enable pulse width	tw		480	-	-	
Enable rise/fall time	tr, tf		-	-	25	
RS; R/W setup time	tsu	RS; R/W	0	-	-	
RS; R/W address hold time	th	RS; R/W	10	-	-	
Read data output delay	td	DB0~DB7	-	-	320	
Read data hold time	tdh		10	-	-	

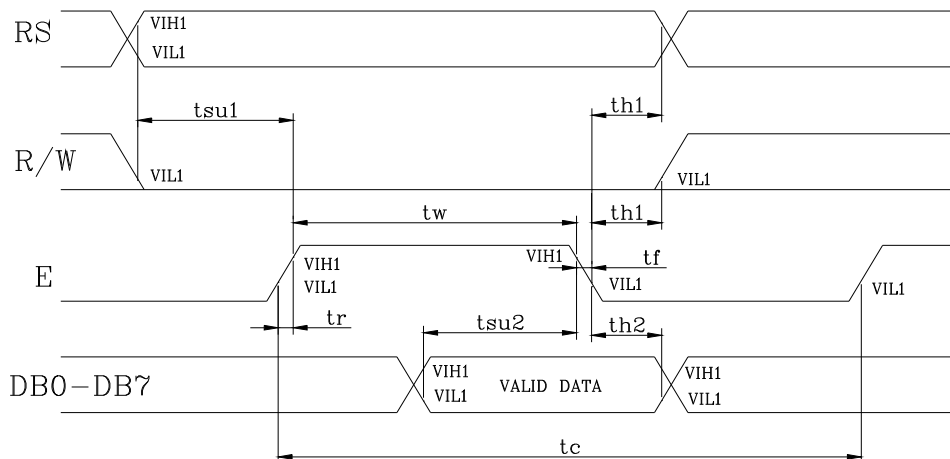
Read mode timing diagram



Write cycle (Ta=25°C, VDD=3.3V)

Parameter	Symbol	Test pin	Min.	Typ.	Max.	Unit
Enable cycle time	tc	E	1200	-	-	ns
Enable pulse width	tw		460	-	-	
Enable rise/fall time	tr, tf		-	-	25	
RS; R/W setup time	tsu1	RS; R/W	0	-	-	
RS; R/W address hold time	th1	RS; R/W	10	-	-	
Read data output delay	tsu2	DB0~DB7	80	-	-	
Read data hold time	th2		10	-	-	

Write mode timing diagram



Instruction description

Outline

To overcome the speed difference between the internal clock of ST7066U and the MPU clock, ST7066U performs internal operations by storing control information to IR or DR. The internal operation is determined according to the signal from MPU, composed of read/write and data bus.

Instructions can be divided largely into four groups:

- 1) ST7066U function set instructions (set display methods, set data length, etc.)
- 2) Address set instructions to internal RAM
- 3) Data transfer instructions with internal RAM
- 4) Others

The address of the internal RAM is automatically increased or decreased by 1.

Note: during internal operation, busy flag (DB7) is read "High".

Busy flag check must be preceded by the next instruction.

When an MPU program with checking the busy flag (DB7) is made, it must be necessary 1/2 fuss for executing the next instruction by the falling edge of the "E" signal after the busy flag (DB7) goes to "LOW".

Contents

- 1) Clear display

RS	R/W	DB7	DB6	DB5	DB4	DB3	DB2	DB1	DB0
0	0	0	0	0	0	0	0	0	1

Clear all the display data by writing "20H" (space code) to all DDRAM address, and set DDRAM address to "00H" into AC (address counter).

Return cursor to the original status, namely, brings the cursor to the left edge on the first line of the display.

Make the entry mode increment (I/D="High").

Return home

RS	R/W	DB7	DB6	DB5	DB4	DB3	DB2	DB1	DB0
0	0	0	0	0	0	0	0	1	-

Return home is cursor return home instruction.

Set DDRAM address to "00H" into the address counter.

Return cursor to its original site and return display to its original status, if shifted.

Content of DDRAM does not change.

- 2) Entry mode set

RS	R/W	DB7	DB6	DB5	DB4	DB3	DB2	DB1	DB0
0	0	0	0	0	0	0	0	I/D	SH

Set the moving direction of cursor and display.

I/D: increment / decrement of DDRAM address (cursor or blink)

When I/D="high", cursor/blink moves to right and DDRAM address is increased by 1.

When I/D="Low", cursor/blink moves to left and DDRAM address is increased by 1.

*CGRAM operates the same way as DDRAM, when reading from or writing to CGRAM.

(I/D="high". shift left, I/D="Low". Shift right).

GDM2004J-FSW-FBW-3.3V/P

3) Display ON/OFF control

RS	R/W	DB7	DB6	DB5	DB4	DB3	DB2	DB1	DB0
0	0	0	0	0	0	1	D	C	B

Control display/cursor/blink ON/OFF 1 bit register.

D: Display ON/OFF control bit

When D="High", entire display is turned on.

When D="Low", display is turned off, but display data remains in DDRAM.

C: cursor ON/OFF control bit

When D="High", cursor is turned on.

When D="Low", cursor is disappeared in current display, but I/D register preserves its data.

B: Cursor blink ON/OFF control bit

When B="High", cursor blink is on, which performs alternately between all the "High" data and display characters at the cursor position.

When B="Low", blink is off.

4) Cursor or display shift

RS	R/W	DB7	DB6	DB5	DB4	DB3	DB2	DB1	DB0
0	0	0	0	0	1	S/C	R/L	-	-

Shifting of right/left cursor position or display without writing or reading of display data.

This instruction is used to correct or search display data. (Refer to Table 6)

During 2-line mode display, cursor moves to the 2nd line after the 40th digit of the 1st line.

When display data is shifted repeatedly, each line is shifted individually.

When display shift is performed, the contents of the address counter are not changed.

Shift patterns according to S/C and R/L bits

S/C	R/L	Operation
0	0	Shift cursor to the left, AC is decreased by 1
0	1	Shift cursor to the right, AC is increased by 1
1	0	Shift all the display to the left, cursor moves according to the display
1	1	Shift all the display to the right, cursor moves according to the display

5) Function set

RS	R/W	DB7	DB6	DB5	DB4	DB3	DB2	DB1	DB0
0	0	0	0	1	DL	N	F	-	-

DL: Interface data length control bit

When DL="High", it mans 8-bit bus mode with MPU.

When DL="Low", it mans 4-bit bus mode with MPU. Hence, DL is a signal to select 8-bit or 4-bit bus mode.

In 4-bit bus mode, it needs to transfer 4-bit data twice.

N: Display line number control bit

When N="Low", 1-line display mode is set.

When N="High", 2-line display mode is set.

F: Display line number control bit

When F="Low", 5x8 dots format display mode is set.

When F="High", 5x11 dots format display mode.

GDM2004J-FSW-FBW-3.3V/P

6) Set CGRAM address

RS	R/W	DB7	DB6	DB5	DB4	DB3	DB2	DB1	DB0
0	0	0	1	AC5	AC4	AC3	AC2	AC1	AC0

Set CGRAM address to AC.

The instruction makes CGRAM data available from MPU.

7) Set DDRAM address

RS	R/W	DB7	DB6	DB5	DB4	DB3	DB2	DB1	DB0
0	0	1	AC6	AC5	AC4	AC3	AC2	AC1	AC0

Set DDRAM address to AC.

This instruction makes DDRAM data available from MPU.

When 1-line display mode (N=LOW), DDRAM address is form "00H" to "4FH".

In 2-line display mode (N=High), DDRAM address in the 1st line form "00H" to "27H", and DDRAM address

In the 2nd line is from "40H" to "67H".

8) Read busy flag & address

RS	R/W	DB7	DB6	DB5	DB4	DB3	DB2	DB1	DB0
0	1	BF	AC6	AC5	AC4	AC3	AC2	AC1	AC0

This instruction shows whether ST7066U is in internal operation or not.

If the resultant BF is "High", internal operation is in progress and should wait BF is to be LOW, which by then if the next instruction can be performed. In this instruction you can also read the value of the address counter.

9) Write data to RAM

RS	R/W	DB7	DB6	DB5	DB4	DB3	DB2	DB1	DB0
1	0	D7	D6	D5	D4	D3	D2	D1	D0

Write binary 8-bit data to DDRAM/CGRAM.

The selection of RAM from DDRAM, and CGRAM, is set by the previous address set instruction (DDRAM address set, CGRAM address set).

RAM set instruction can also determine the AC direction to RAM.

After write operation. The address is automatically increased/decreased by 1, according to the entry mode.

10) Read data from RAM

RS	R/W	DB7	DB6	DB5	DB4	DB3	DB2	DB1	DB0
1	1	D7	D6	D5	D4	D3	D2	D1	D0

Read binary 8-bit data from DDRAM/CGRAM.

The selection of RAM is set by the previous address set instruction. If the address set instruction of RAM is not performed before this instruction, the data that has been read first is invalid, as the direction of AC is not yet determined.

If RAM data is read several times without RAM address instructions set before, read operation, the correct RAM data can be obtained from the second. But the first data would be incorrect, as there is no time margin to transfer RAM data.

In case of DDRAM read operation, cursor shift instruction plays the same role as DDRAM address set instruction,

It also transfers RAM data to output data register.

After read operation, address counter is automatically increased/decreased by 1 according to the entry mode.

After CGRAM read operation, display shift may not be executed correctly.

NOTE: In case of RAM write operation, AC is increased/decreased by 1 as in read operation.

At this time, AC indicates next address position, but only the previous data can be read by the read instruction.

Instruction table

Instruction	Instruction code										Description	Execution Time (fosc=270 KHZ)	
	RS	R/W	DB7	DB6	DB5	DB4	DB3	DB2	DB1	DB0			
Clear Display	0	0	0	0	0	0	0	0	0	0	1	Write "20H" to DDRA and set DDRAM address to "00H" from AC	1.52ms
Return Home	0	0	0	0	0	0	0	0	0	1	-	Set DDRAM address to "00H" From AC and return cursor to Its original position if shifted. The contents of DDRAM are not changed.	1.52ms
Entry mode Set	0	0	0	0	0	0	0	0	1	I/D	SH	Assign cursor moving direction And blinking of entire display	37us
Display ON/OFF control	0	0	0	0	0	0	0	1	D	C	B	Set display (D), cursor (C), and Blinking of cursor (B) on/off Control bit.	37us
Cursor or Display shift	0	0	0	0	0	0	1	S/C	R/L	-	-	Set cursor moving and display Shift control bit, and the Direction, without changing of DDRAM data.	37us
Function set	0	0	0	0	1	DL	N	F	-	-	-	Set interface data length (DL: 8-Bit/4-bit), numbers of display Line (N: =2-line/1-line) and, Display font type (F: 5x11/5x8)	37us
Set CGRAM Address	0	0	0	1	AC5	AC4	AC3	AC2	AC1	AC0	AC0	Set CGRAM address in address Counter.	37us
Set DDRAM Address	0	0	1	AC6	AC5	AC4	AC3	AC2	AC1	AC0	AC0	Set DDRAM address in address Counter.	37us
Read busy Flag and Address	0	1	BF	AC6	AC5	AC4	AC3	AC2	AC1	AC0	AC0	Whether during internal Operation or not can be known By reading BF. The contents of Address counter can also be read.	0us
Write data to Address	1	0	D7	D6	D5	D4	D3	D2	D1	D0	D0	Write data into internal RAM (DDRAM/CGRAM).	37us
Read data From RAM	1	1	D7	D6	D5	D4	D3	D2	D1	D0	D0	Read data from internal RAM (DDRAM/CGRAM).	37us

NOTE: When an MPU program with checking the busy flag (DB7) is made, it must be necessary 1/2fosc is necessary for executing the next instruction by the falling edge of the "E" signal after the busy flag (DB7) goes to "Low".

DDRAM address:

																	Display position			
1	2	3	4	5	6	7	8	9	10	11	12	13	14	15	16	17	18	19	20	
00	01	02	03	04	05	06	07	08	09	0A	0B	0C	0D	0E	0F	10	11	12	13	
40	41	42	43	44	45	46	47	48	49	4A	4B	4C	4D	4E	4F	50	51	52	53	
14	15	16	17	18	19	1A	1B	1C	1D	1E	1F	20	21	22	23	24	25	26	27	
54	55	56	57	58	59	5A	5B	5C	5D	5E	5F	60	61	62	63	64	65	66	67	

DDRAM address

Standard character pattern

b7-b4 b3-b0	0000	0001	0010	0011	0100	0101	0110	0111	1000	1001	1010	1011	1100	1101	1110	1111
0000	CG RAM (1)			0	1	P	^	P				一	ヨ	三	ヨ	P
0001	(2)	.	1	A	Q	a	q				二	フ	ク	三	ヨ	q
0010	(3)	"	2	B	R	b	r				フ	イ	ウ	ク	ヨ	ヨ
0011	(4)	#	3	C	S	c	s				フ	ウ	テ	エ	ヨ	ヨ
0100	(5)	\$	4	D	T	d	t				フ	エ	ク	ヨ	ヨ	ヨ
0101	(6)	%	5	E	U	e	u				フ	オ	ク	ヨ	ヨ	ヨ
0110	(7)	&	6	F	V	f	v				フ	カ	ニ	ヨ	ヨ	ヨ
0111	(8)	*	7	G	W	g	w				フ	キ	ク	ヨ	ヨ	ヨ
1000	(1)	()	8	H	X	h	x				フ	ク	ク	ヨ	ヨ	ヨ
1001	(2))	9	I	Y	i	y				フ	ケ	ク	ヨ	ヨ	ヨ
1010	(3)	*	:	J	Z	j	z				フ	コ	ク	ヨ	ヨ	ヨ
1011	(4)	+	;	K	[k	[フ	ク	ク	ヨ	ヨ	ヨ
1100	(5)	,	<	L]	l]				フ	ク	ク	ヨ	ヨ	ヨ
1101	(6)	-	=	N	^	n	^				フ	ク	ク	ヨ	ヨ	ヨ
1110	(7)	.	>	N	^	n	^				フ	ク	ク	ヨ	ヨ	ヨ
1111	(8)	/	?	O	_	o	_				フ	ク	ク	ヨ	ヨ	ヨ