



Representative photograph, actual product appearance may vary.

Due to regional agency approval requirements, some products may not be available in your area. Please contact your regional Honeywell office regarding your product of choice.

HOA0709-001

HOA Series Infrared Reflective Sensor, Darlington Output, Plastic Package

Features

- Choice of phototransistor or photodarlington output
- Focused for maximum response
- Ambient light and dust protective filter
- Adjustable mounting slot

Description

The HOA0708/0709 series consists of an infrared emitting diode and an NPN silicon phototransistor (HOA0708-001, -011) or photodarlington (HOA0709-001, -011) encased side-by-side on converging optical axes in a black thermoplastic housing. The detector responds to radiation from the IRED only when a reflective object passes within its field of view. The HOA0708-011 and HOA0709-011 employ an IR transmissive filter to minimize the effects of visible ambient light and provide a smooth optical face which prevents the accumulation of airborne contaminants in the optical path. The HOA0708/0709 series employs plastic molded components. For additional component information see SEP8505, SDP8405, and SDP8105.

Housing material is polycarbonate. Housings are soluble in chlorinated hydrocarbons and ketones. Recommended cleaning agents are methanol and isopropanol.



HOA0709-001

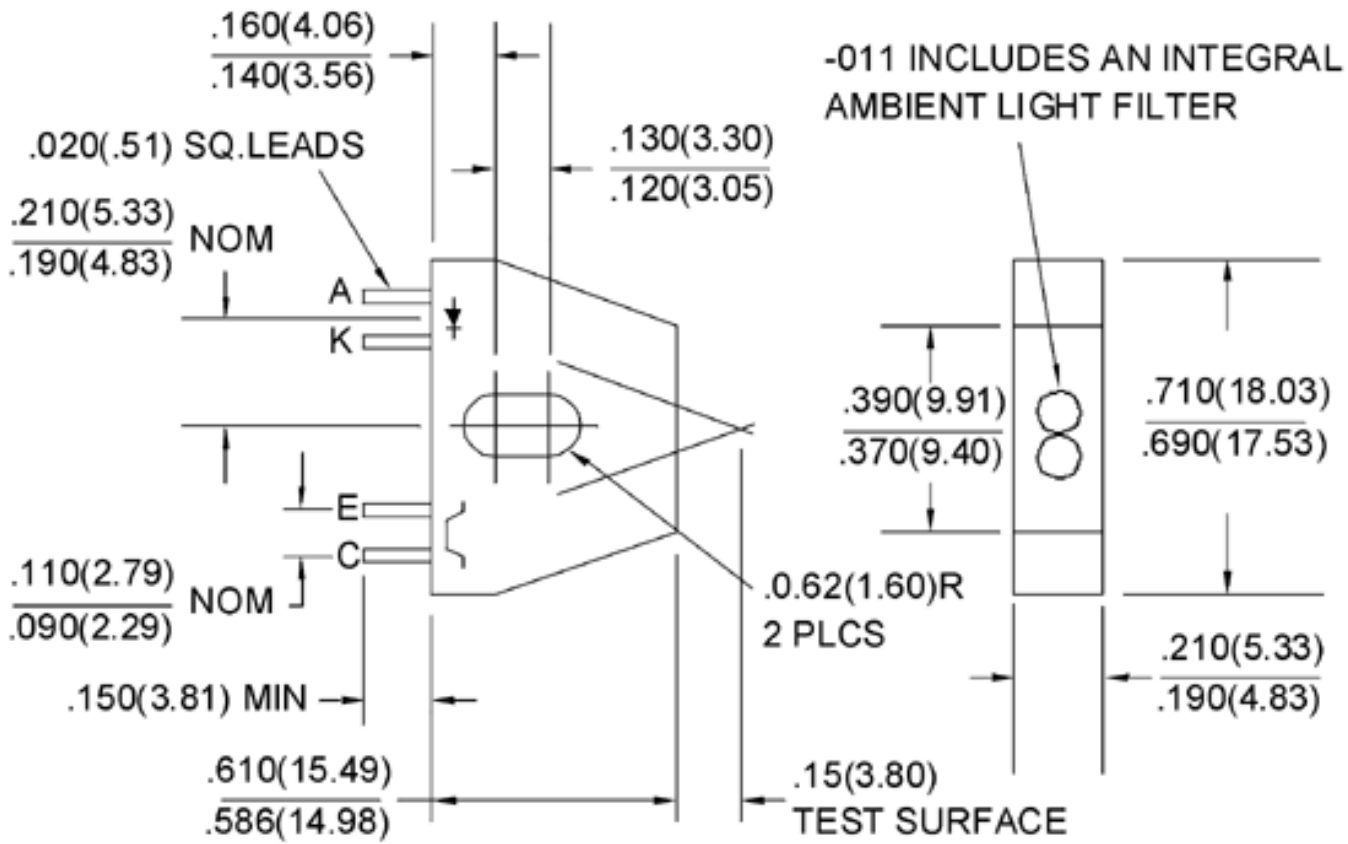
HOA Series Infrared Reflective Sensor, Darlington Output, Plastic Package

Product Specifications	
Product Type	IR Switch
On-State Collector Current	1.00 mA
Output	Darlington
Package Components	Plastic
Forward Current	40 mA
Continuous Forward Current	50 mA
Forward Voltage	1.6 V
Reverse Current	10 μ A
Rise and Fall Time	15 ns
Power Dissipation	70 mW
Operating Temperature Range	-40 °C to 85 °C [-40 °F to 185 °F]
Dark Current	100 nA
Collector-Emitter Breakdown Voltage	30 V
Emitter-Collector Breakdown Voltage	5 V
Collector-Emitter Saturation Voltage	0.4 V
Availability	Global
Product Name	Reflective Sensor
Optimum Point of Response	3,81 mm [0.15 in]

Honeywell

HOA0709-001

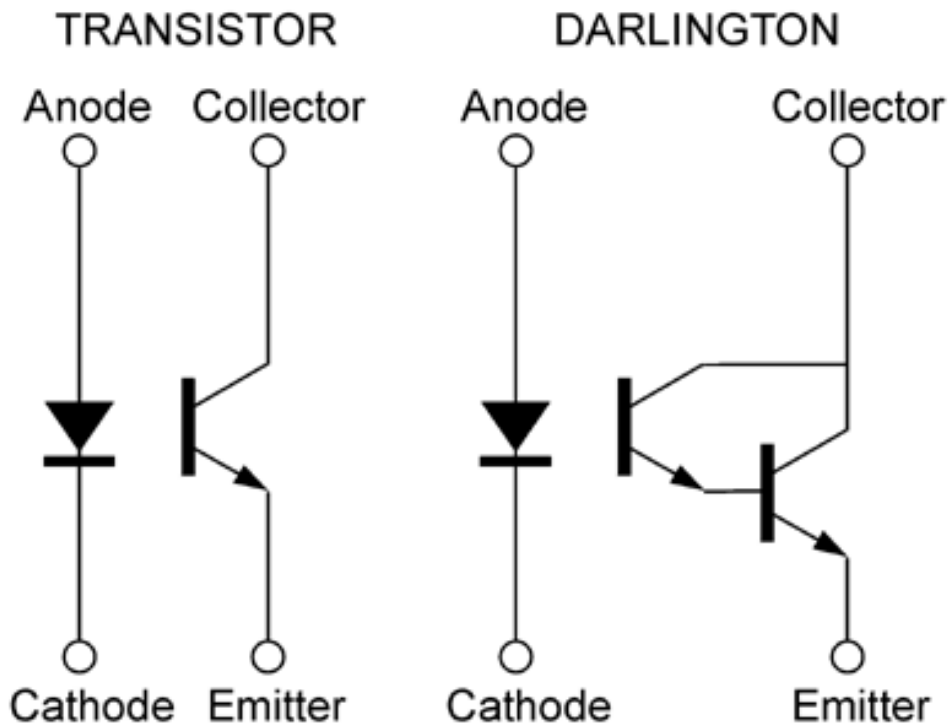
HOA Series Infrared Reflective Sensor, Darlington Output, Plastic Package



Honeywell

HOA0709-001

HOA Series Infrared Reflective Sensor, Darlington Output, Plastic Package



Honeywell

HOA0709-001

HOA Series Infrared Reflective Sensor, Darlington Output, Plastic Package

⚠ WARNING

PERSONAL INJURY

DO NOT USE these products as safety or emergency stop devices, or in any other application where failure of the product could result in personal injury.

Failure to comply with these instructions could result in death or serious injury.

 **WARNING**

MISUSE OF DOCUMENTATION

- The information presented in this product sheet (or catalog) is for reference only. **DO NOT USE** this document as product installation information.
- Complete installation, operation and maintenance information is provided in the instructions supplied with each product.

Failure to comply with these instructions could result in death or serious injury.

© Copyright Honeywell Inc. 1998-2006 All rights reserved.