

SIZE E25 - 3 or 1 OUTPUTS: 5+12/12v or 24v - FLYBACK TRANSFORMER

Primary / Secondary Insulation $\geq 4000V$

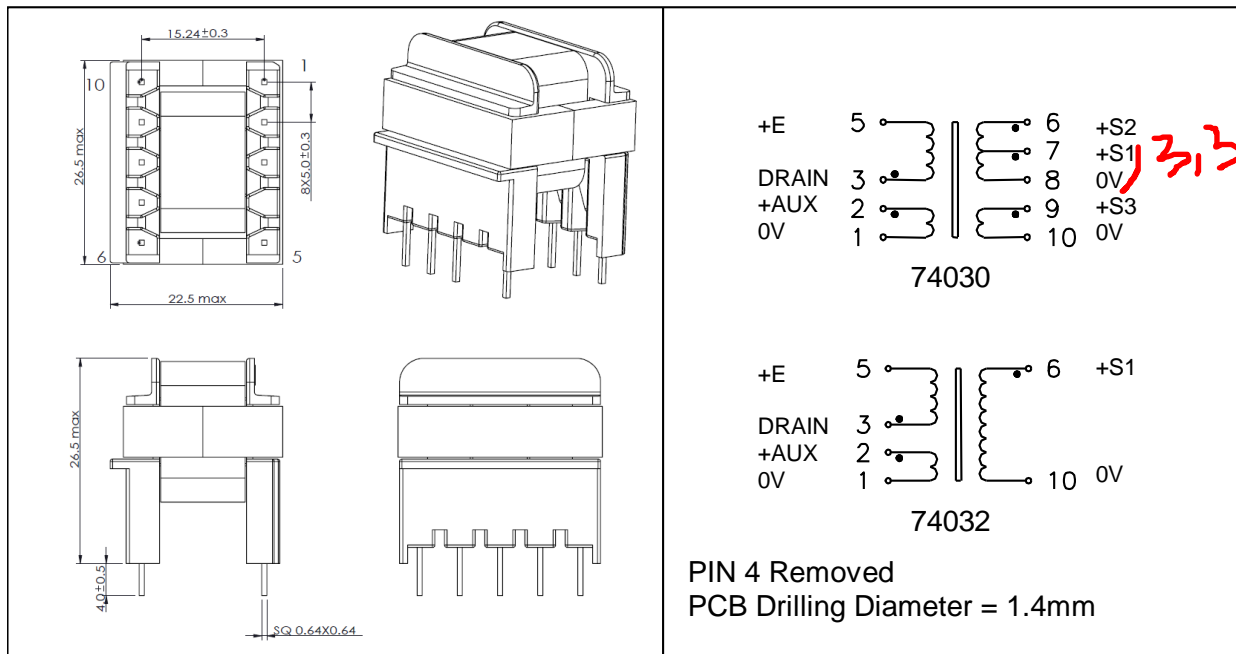
Primary / Auxiliary Insulation $\geq 1500V$

Creepage distance Primary / Secondary $\geq 6mm$

Ambient temperature $< 50^{\circ}C$

Construction conforms to IEC950, IEC335, IEC61558 for reinforced insulation

Exclusively uses UL94-V0 listed materials



MYRRA P / N	Output Power maximum	Windings					
			Pins	Turns	Voltage	Current maximum	Inductance (+/-10%)
74030	30 w	Pri	3 – 5	70	65 – 130 (VOR)	1.5 Apeak	750 μ H
		Aux	2 – 1	8	7 – 14.5 Vdc	1 Adc	
		S1	7 – 8	4	3.3 - 7	3 Adc	
		S2	6 – 8	9	8 – 16 Vdc	1.5 Adc	
		S3	9 – 10	9	8 – 16 Vdc	1.5 Adc	
74032	35 w	Pri	3 – 5	72	62 - 125 (VOR)	1.1 Apeak	1100 μ H
		Aux	2 – 1	10	8 - 16 Vdc	1 Adc	
		S1	6 – 10	18	15 - 30 Vdc	1.4 Adc	

Note for 74030 : S2 and S3 can be connected in series or in parallel

Examples of application with Integrated Circuits :

MYRRA P / N	Control IC Manufacturer	Control IC P / N	Input voltage	Power	Frequency
74030	Power Integrations	TOP244P	185 - 265Vrms	30w	132kHz
	Power Integrations	TOP244Y	85 - 265Vrms	25w	66 or 132kHz
	ST Microelectronics	VIPer50	85 - 265Vrms	22w	70kHz
	ST Microelectronics	VIPer50	185 - 265Vrms	30w	70kHz
	Motorola	MC33371	85 - 265Vrms	22w	100kHz
	Motorola	MC33371	185 - 265Vrms	30w	100kHz
	Infineon	TDA16832	185 - 265Vrms	30w	100kHz
	Fairchild	KA1H0265R	85 - 265Vrms	22w	100kHz
74032	Power Integrations	TOP244P	185 - 265Vrms	25w	132kHz