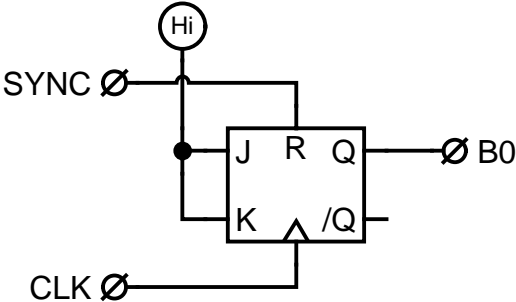
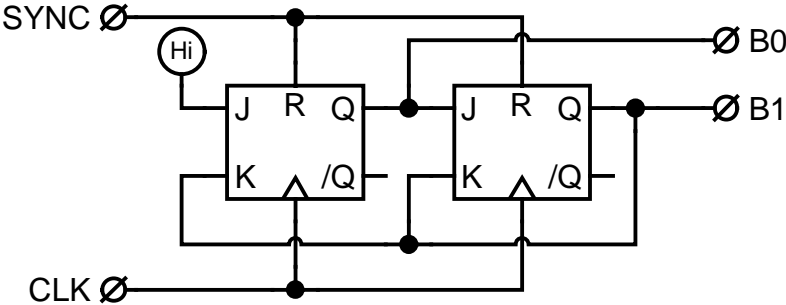


DIVIDE BY 2



DIVIDE BY 3

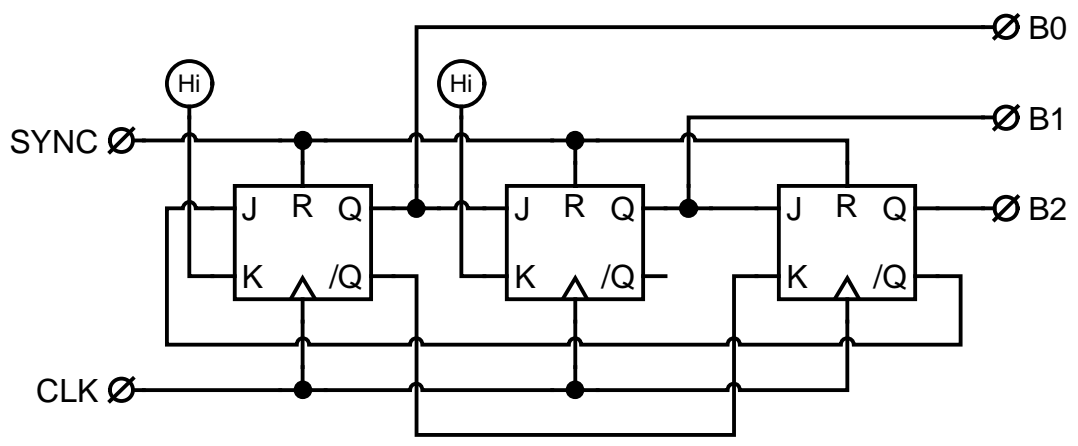


SEQUENCE

CLK	B0	B1
	L	L
	H	L
	H	H

L H unstable, will yield HL on next CLK transition

DIVIDE BY 5



SEQUENCE

CLK	B0	B1	B2
	L	L	L
	H	L	L
	L	H	L
	H	L	H
	L	H	H
	L	L	H
	L	L	L
	H	H	L
	L	L	H
	H	H	H
	L	L	H