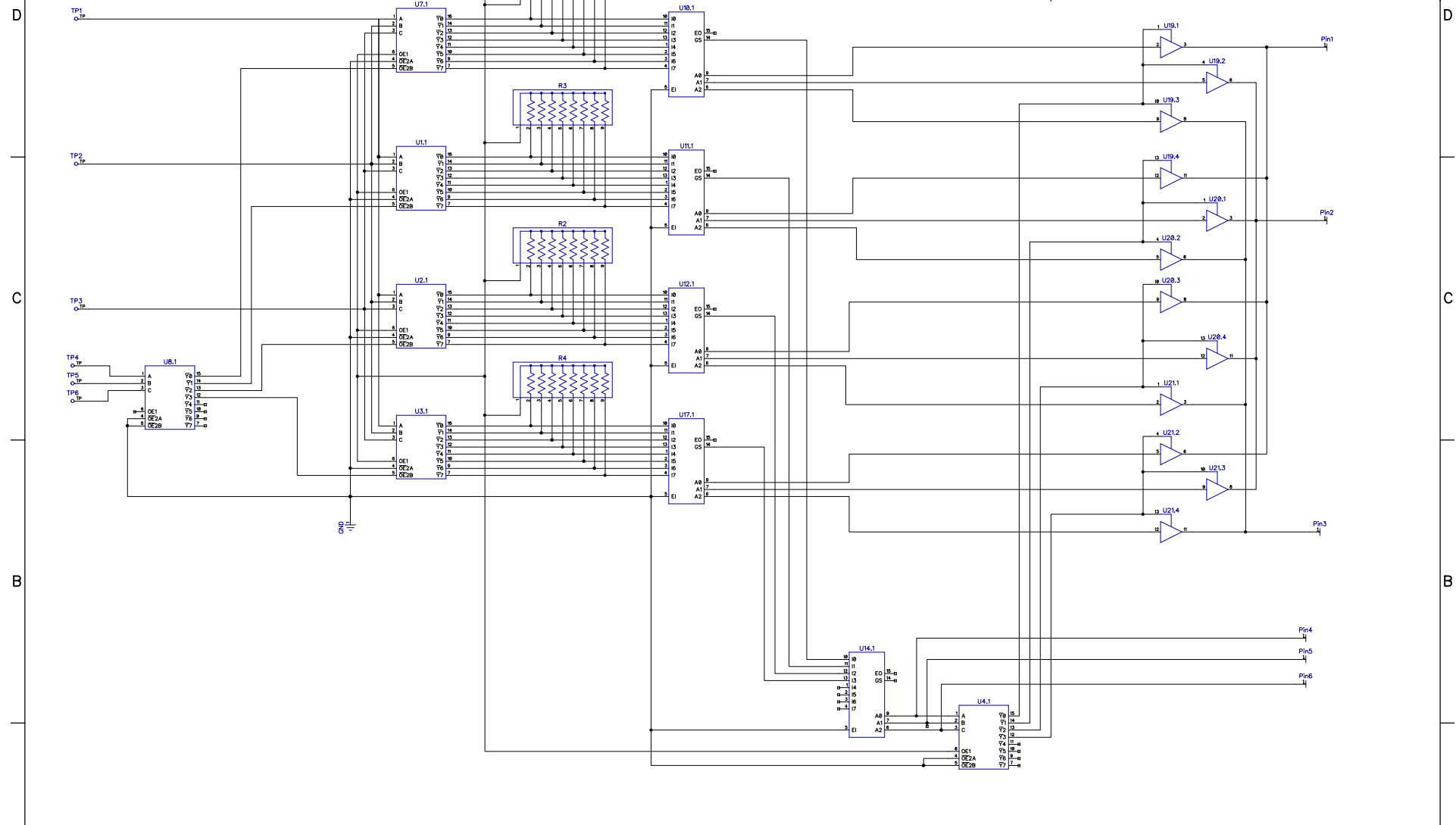


REVISIONS				
ZONE	REV	DESCRIPTION	DATE	APPROVED



1/2 testeur cable			
SIZE	FSCM NO.	DWG NO.	REV
SCALE	Sheet 1		