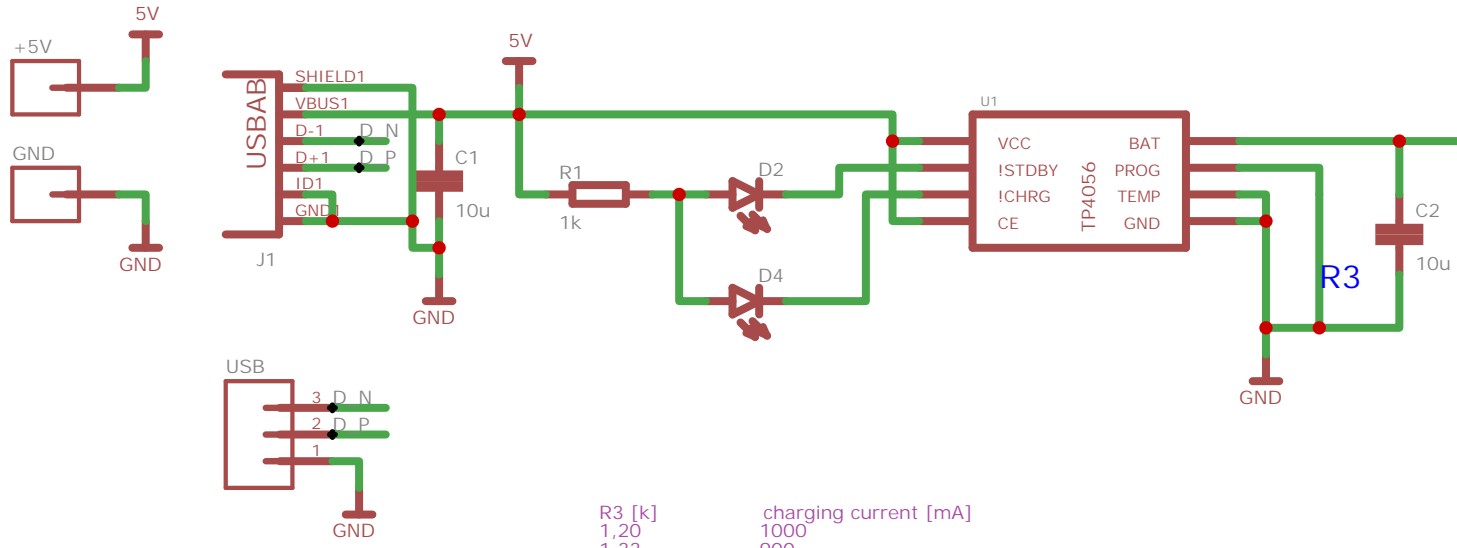
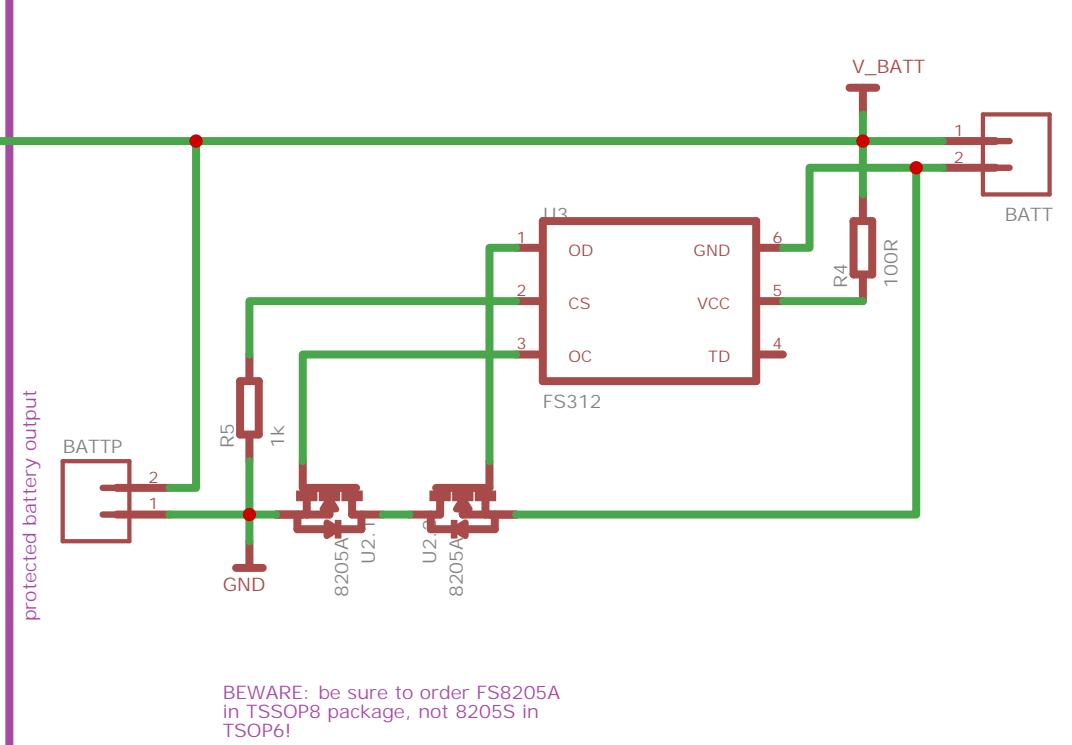


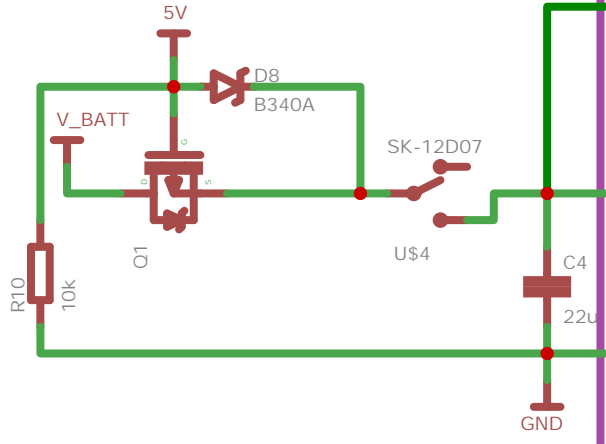
CHARGING MODULE



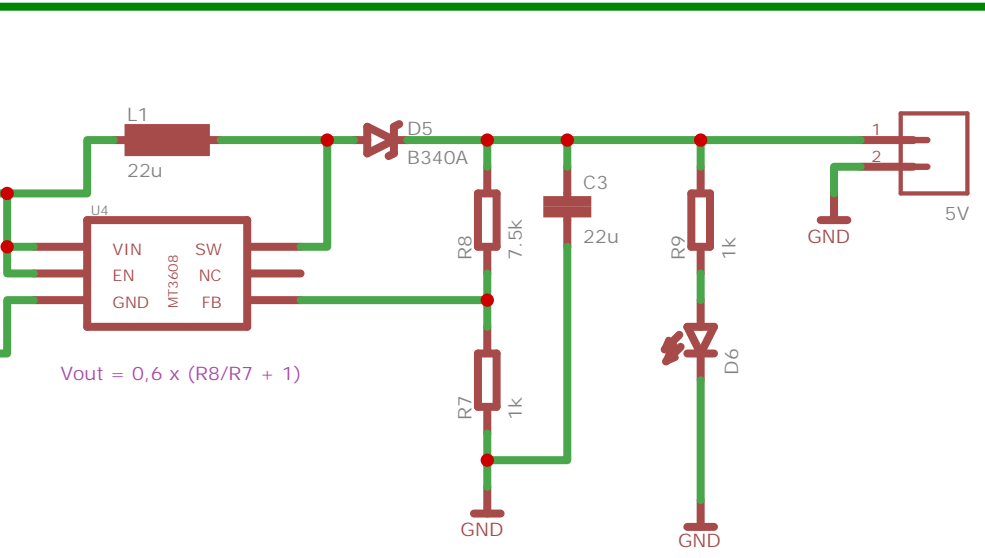
PROTECTION MODULE



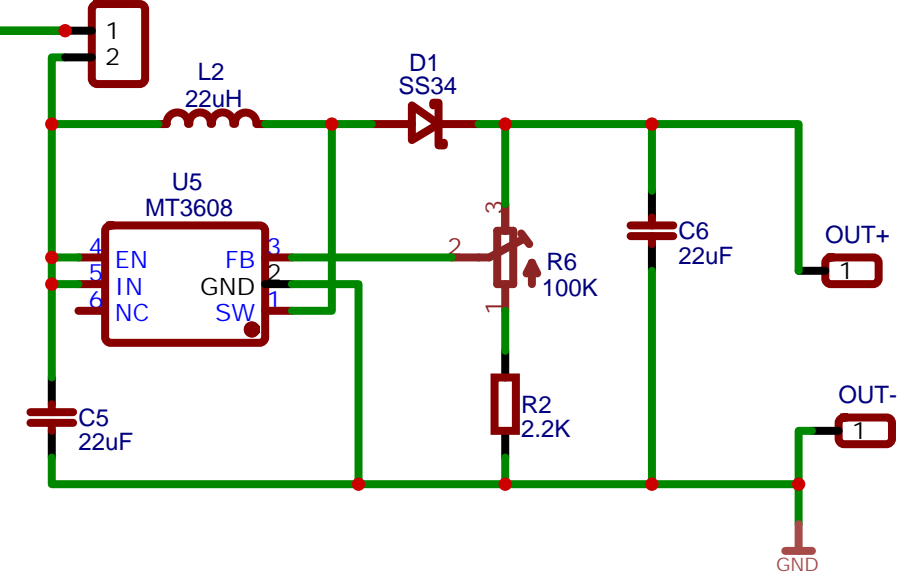
LOAD SHARING MODULE



BOOST 5V MODULE



VERS SWITCH 2 POS



all resistors are 1% 0,25 W in 1206 package unless otherwise noted