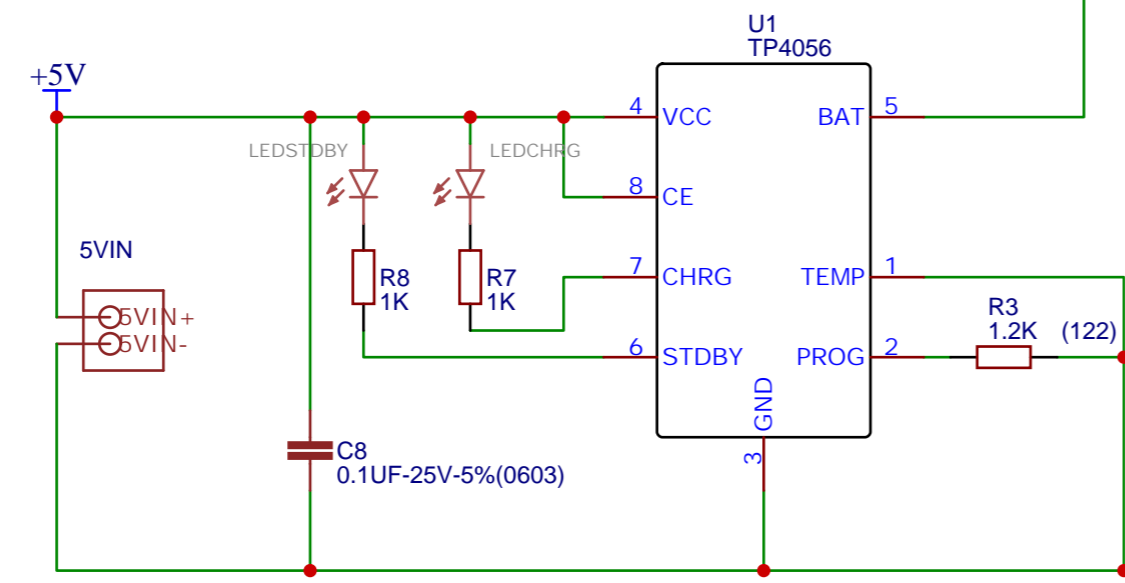
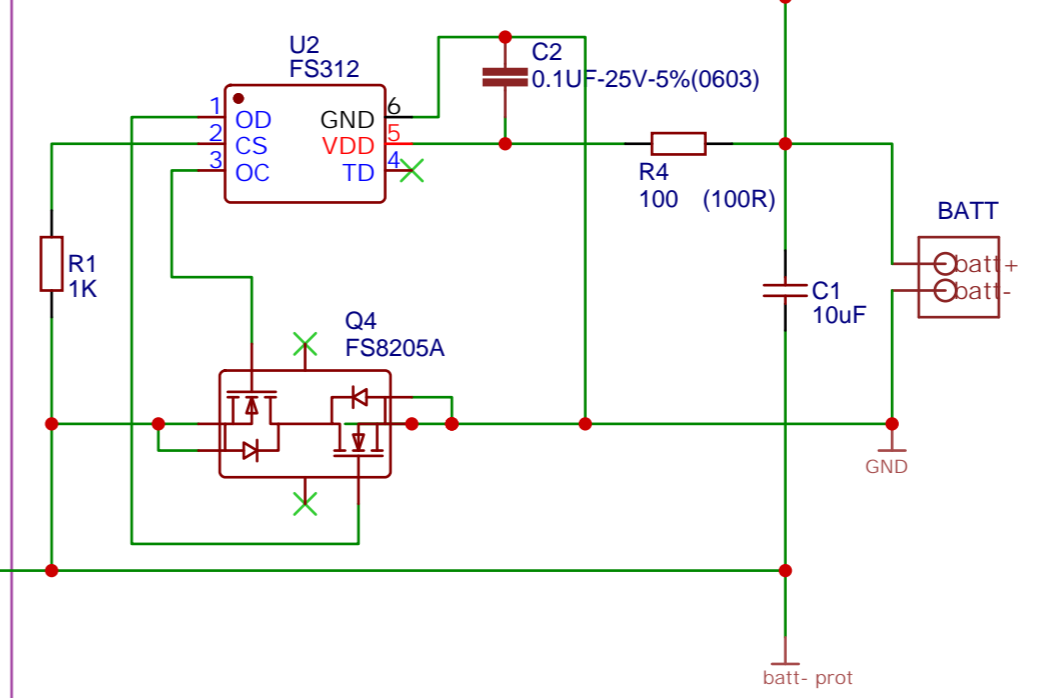


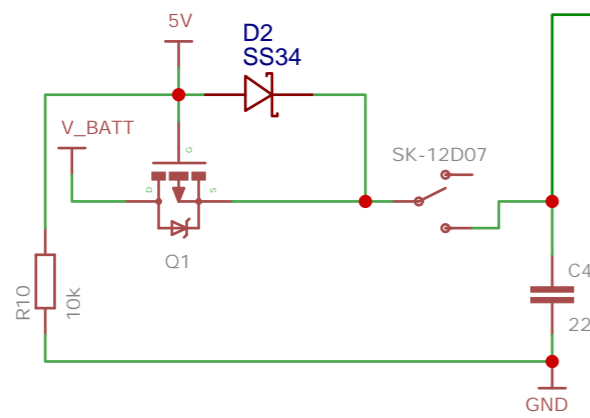
CHARGING MODULE



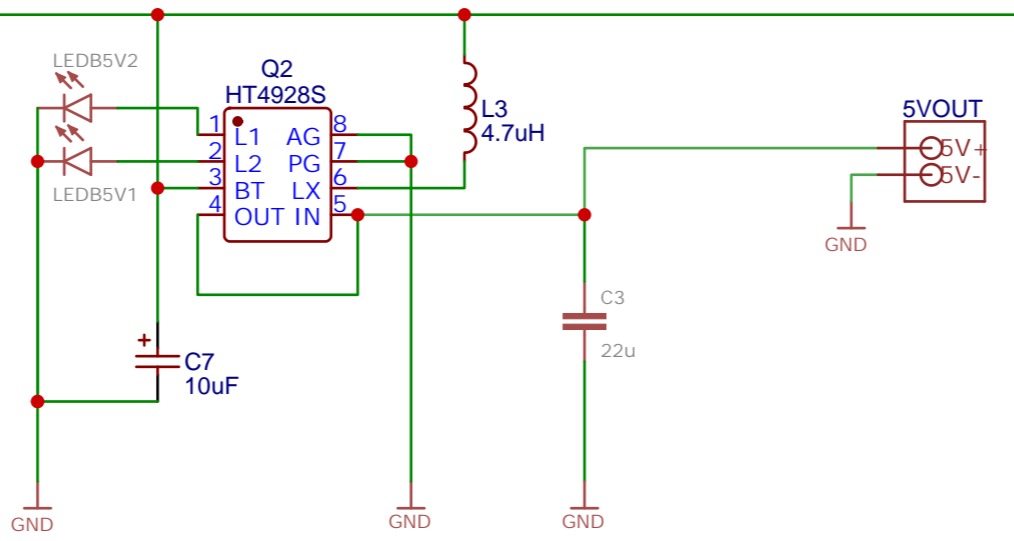
PROTECTION MODULE



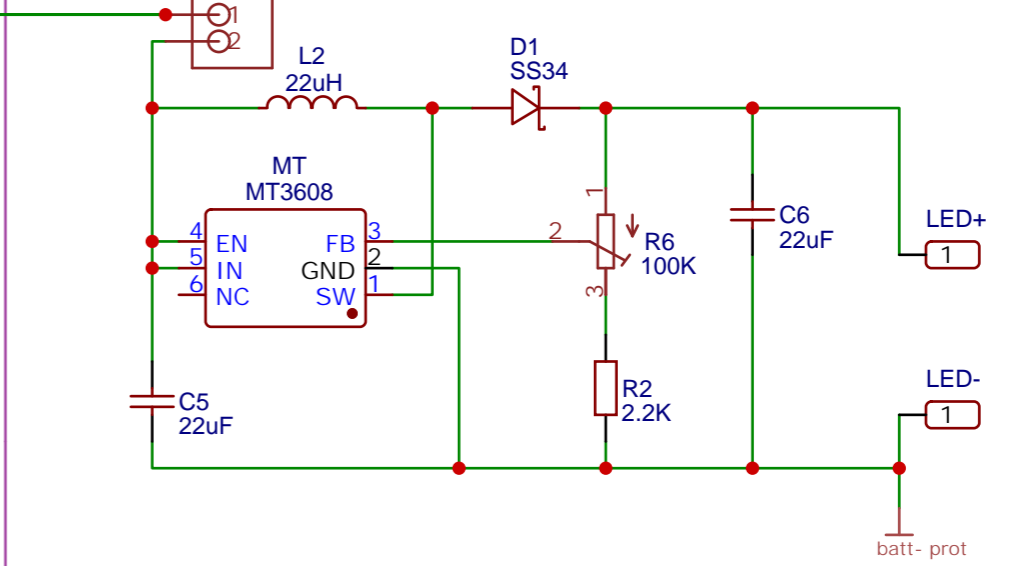
LOAD SHARING MODULE



BOOST 5V MODULE



BOOST adjustable 9-24V MODULE



protected battery output

Rprog [k]	charging current [mA]
1,20	1000
1,33	900
1,50	780
1,66	690
2,00	580
3,00	400
4,00	300
5,00	250
10,0	130

I_{chrg} = 1200 / R_{prog}

BEWARE: be sure to order FS8205A in TSSOP8 package, not 8205S in TSOP6!

all resistors are 1% 0,25 W in 1206 package unless otherwise noted