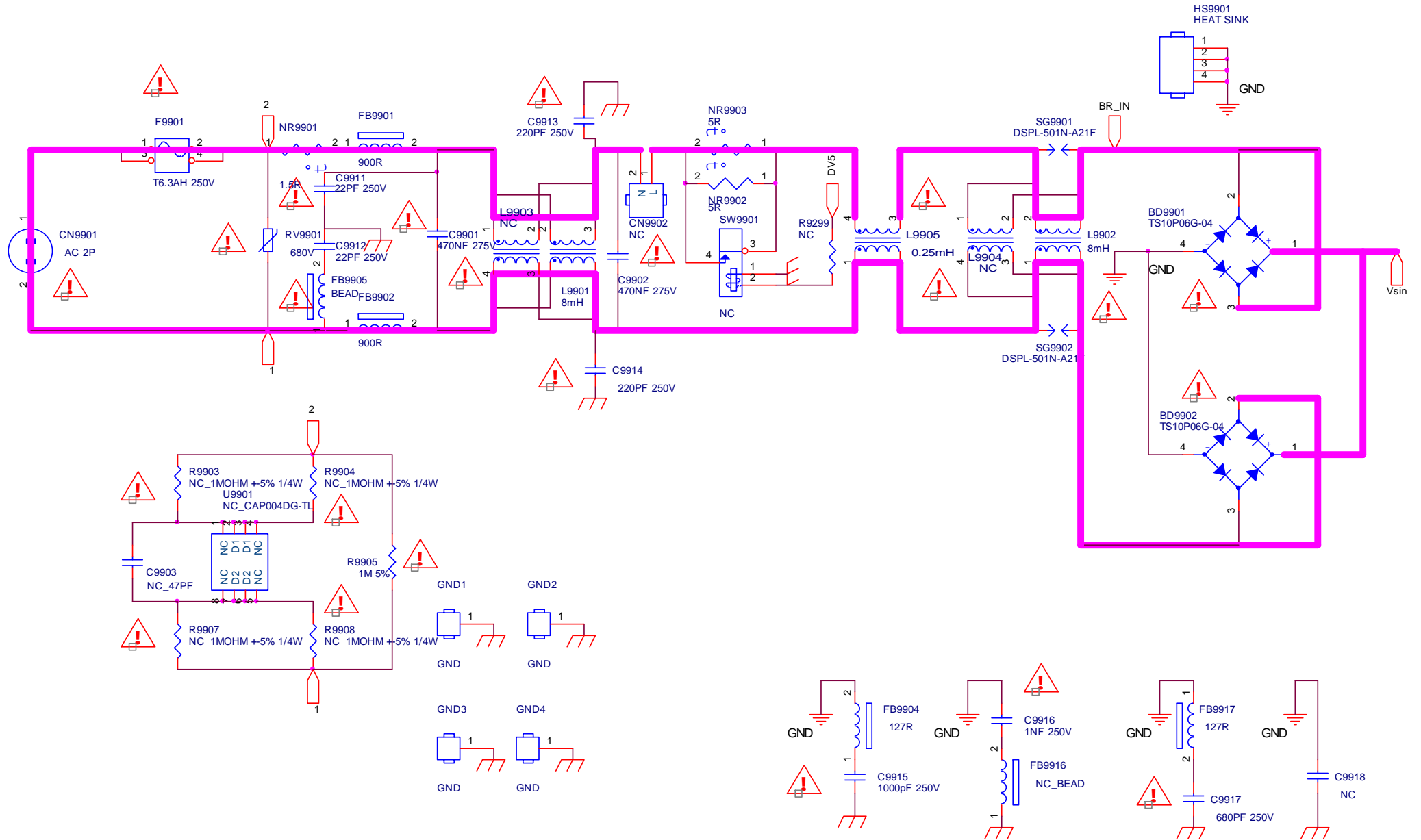
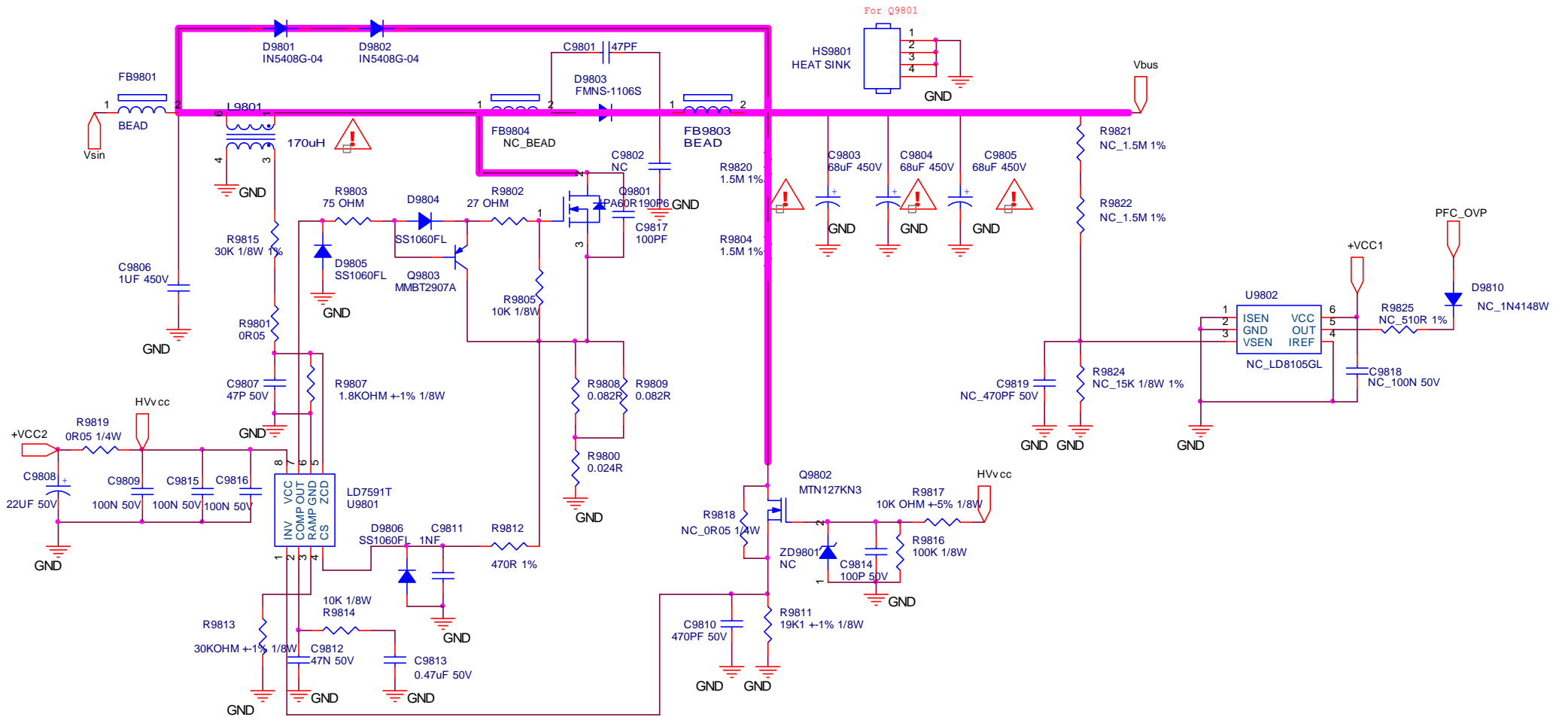


# 8.4 A 715G8682 PSU(For (For 65" 6412 Series)

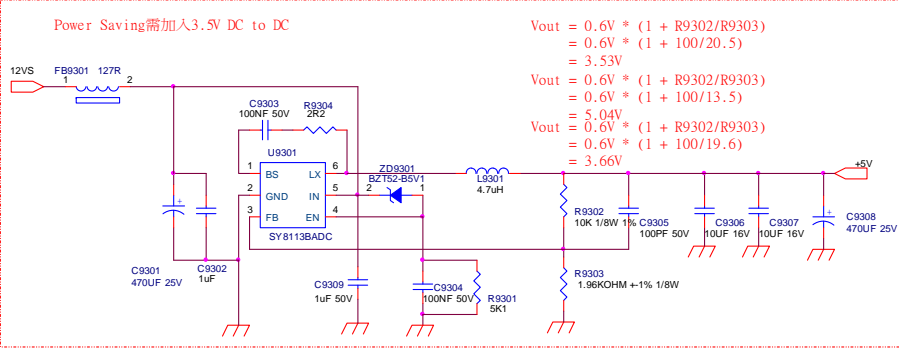
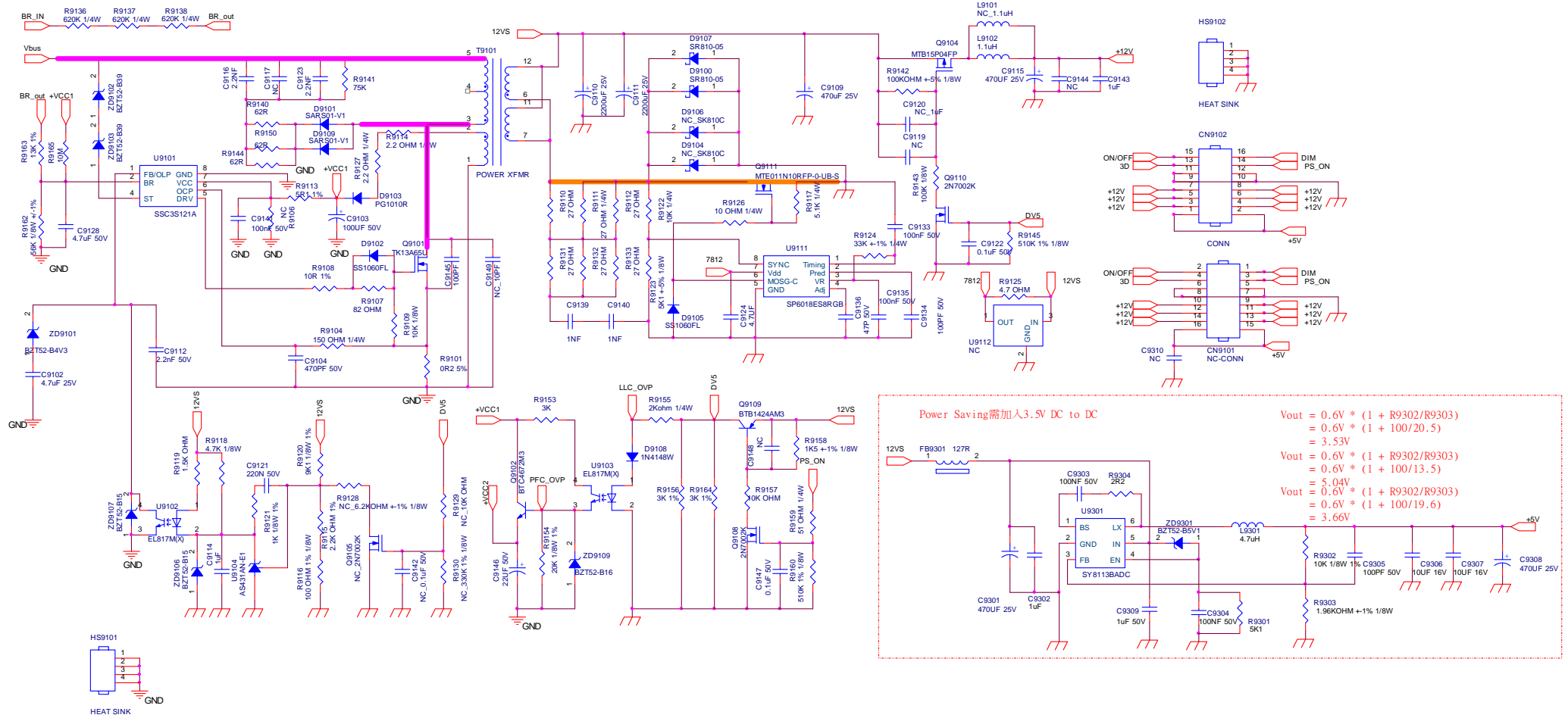
## 8-4-1 AC Input



8-4-2 PFC with LD7591T



### 8-4-3 Flyback with SSC3S121



# 8-4-4 LLC with TPV101

