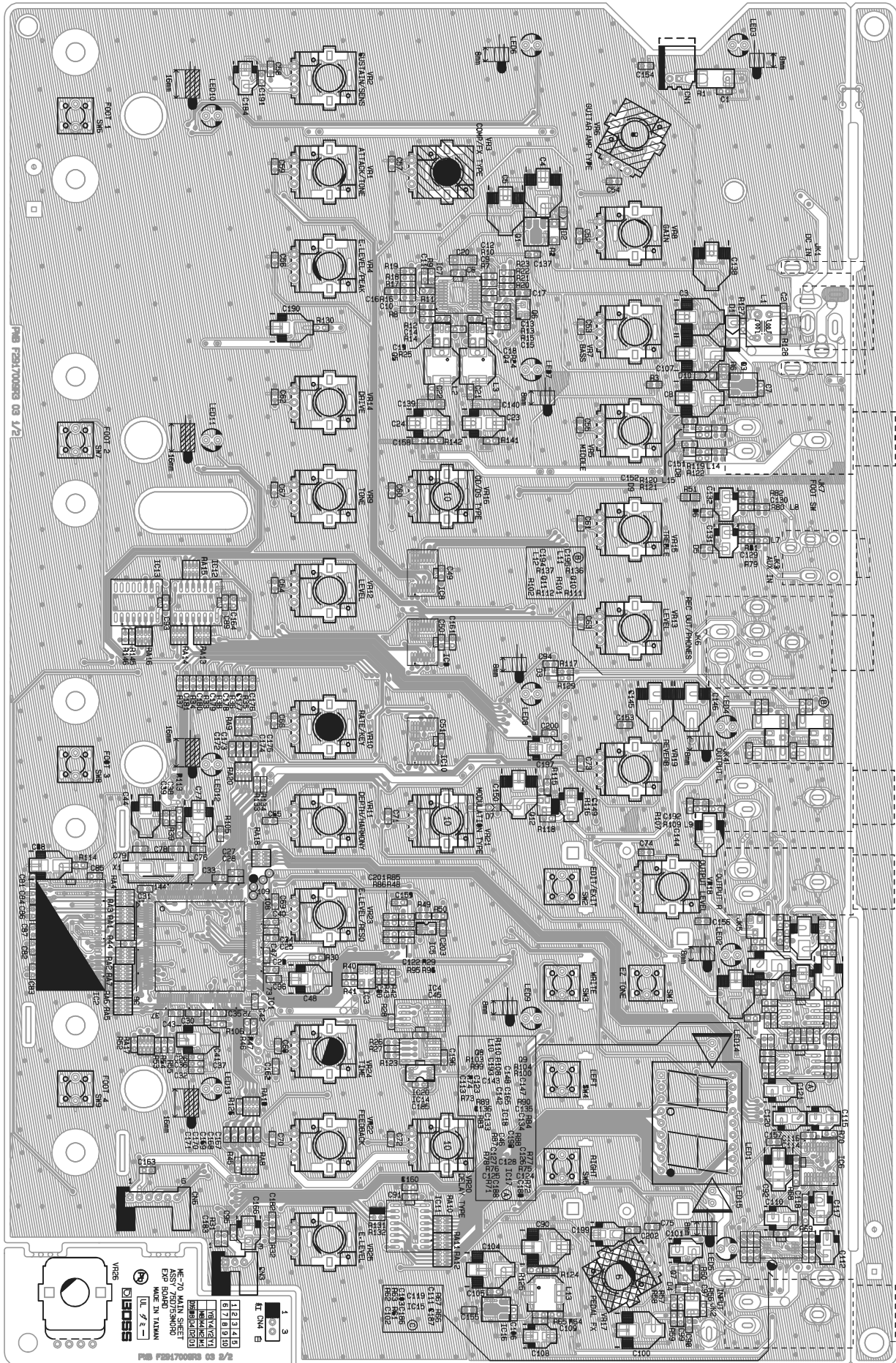
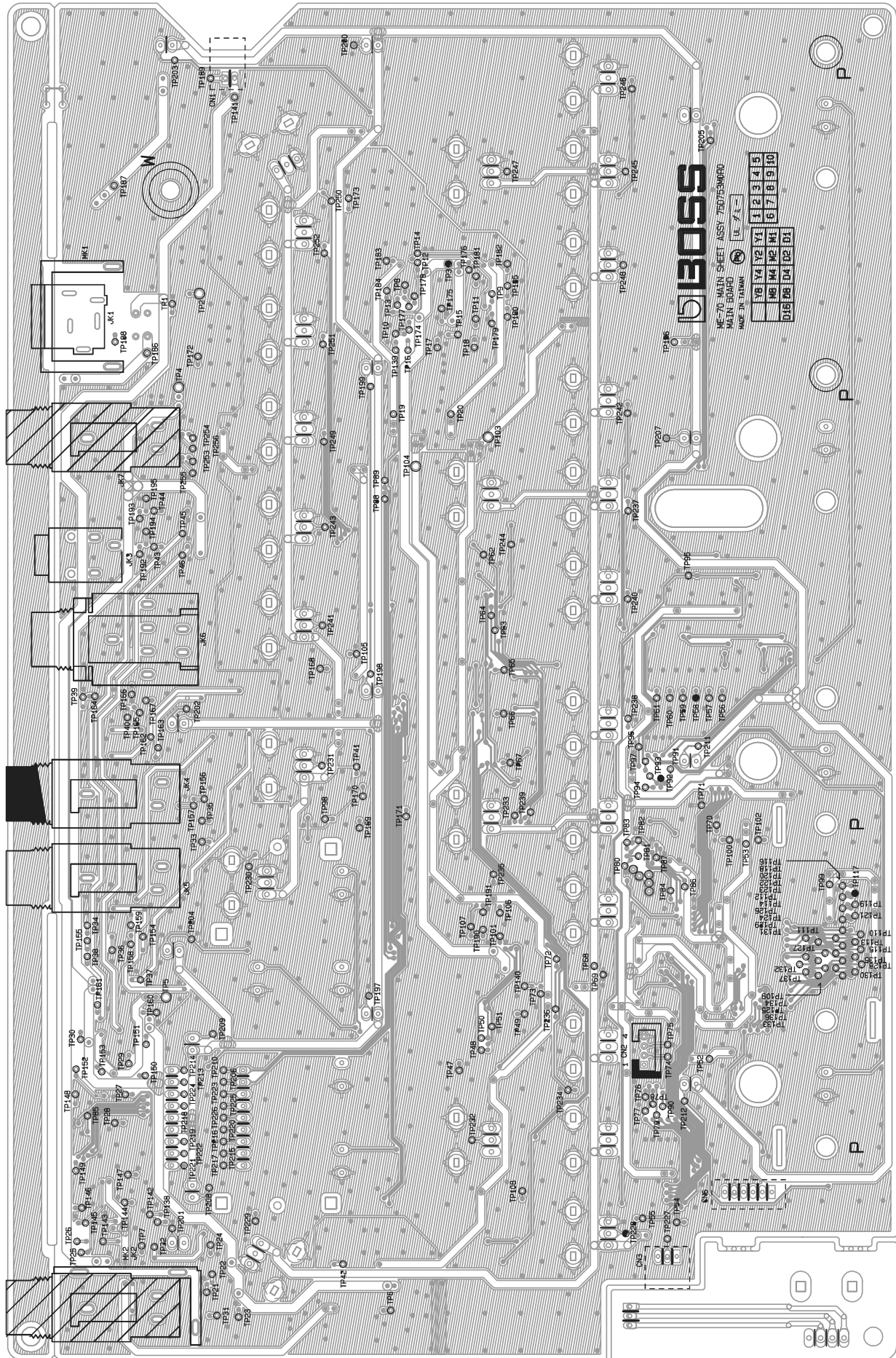
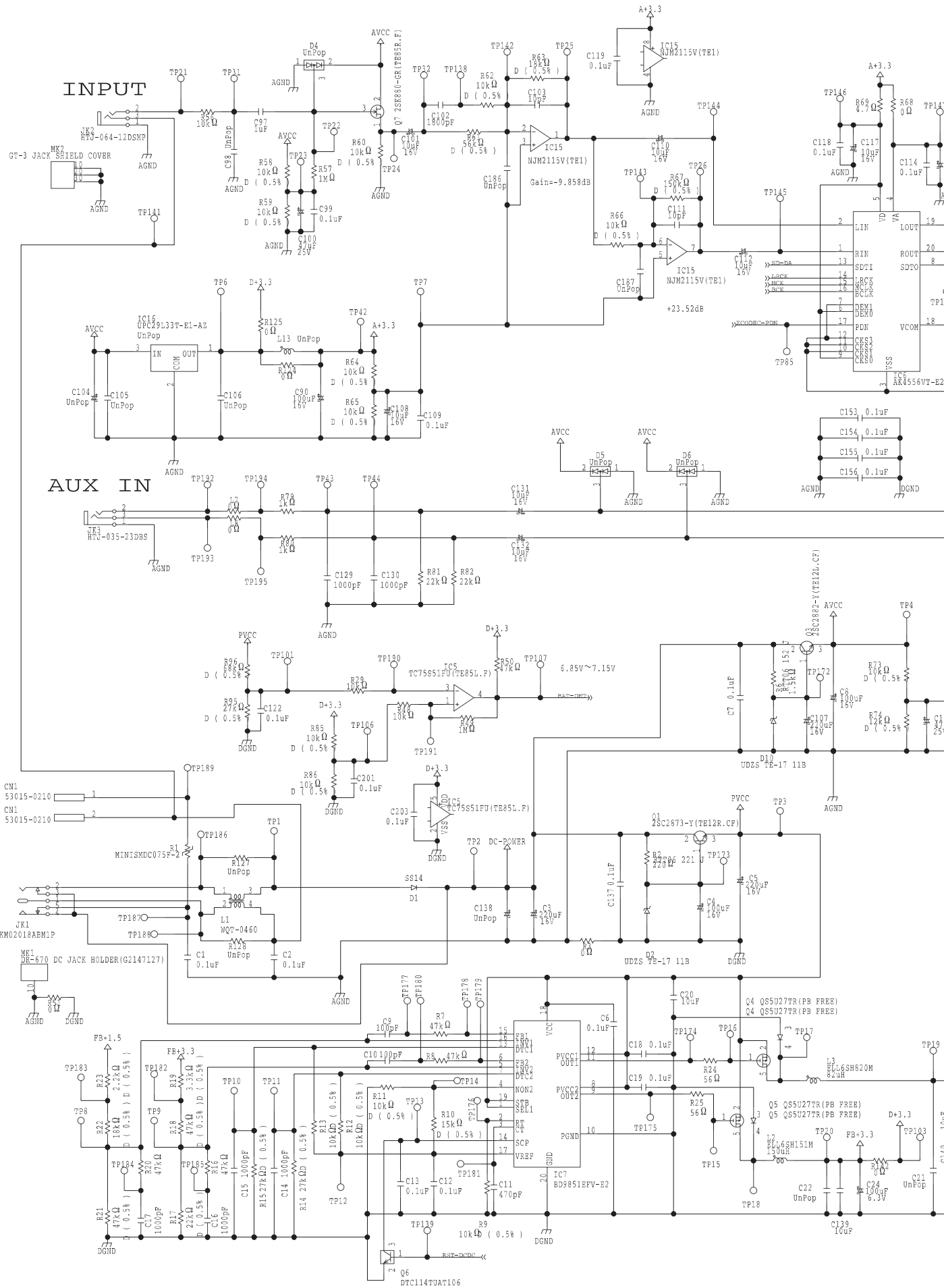


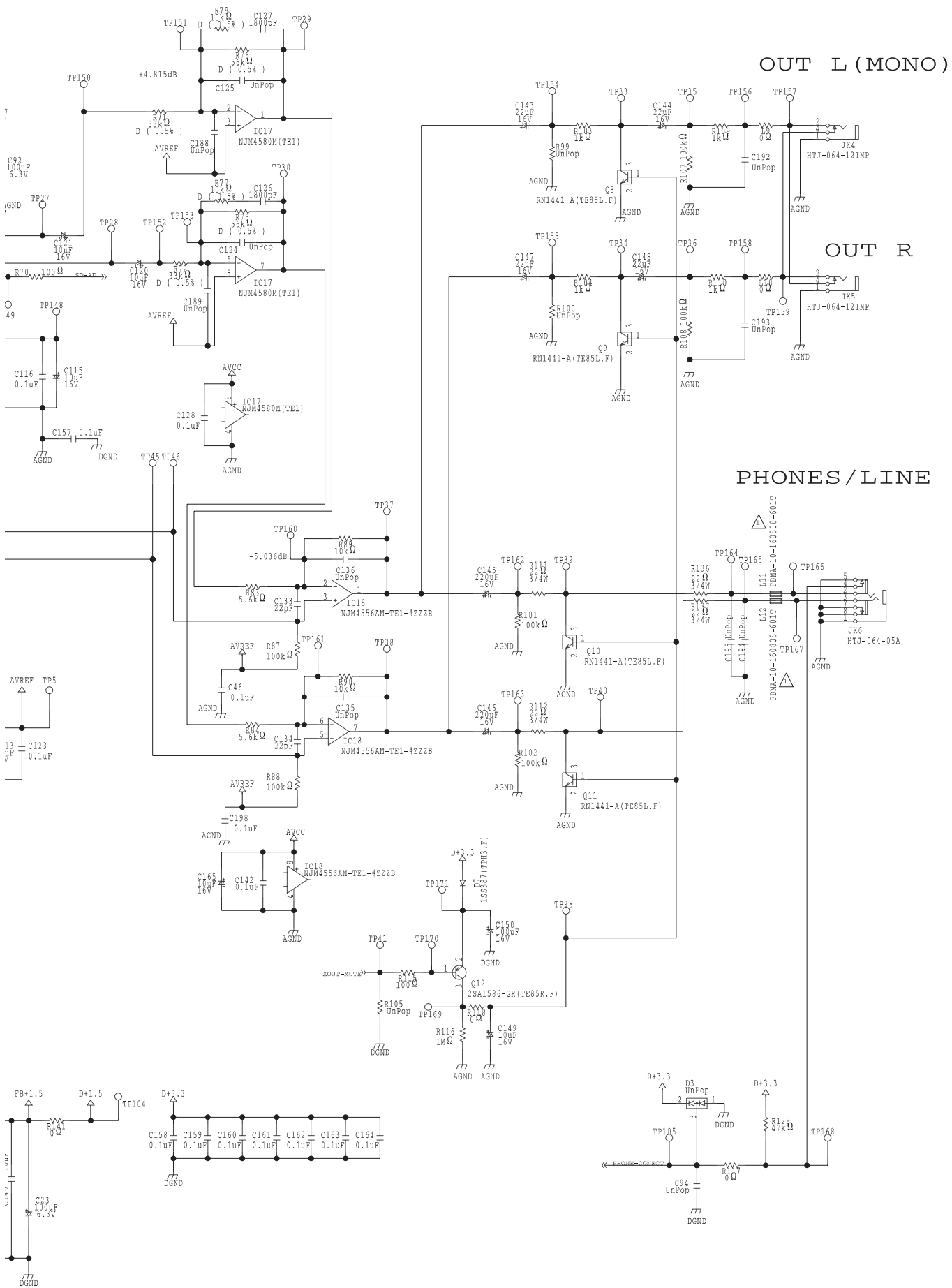
Circuit Board (Main Board)





Circuit Diagram (Main Board: Analog, Power)





Circuit Diagram (Main Board: Digital)

