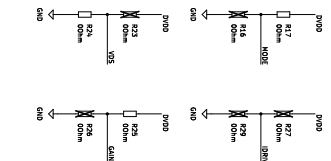
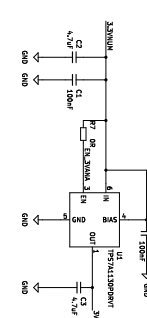
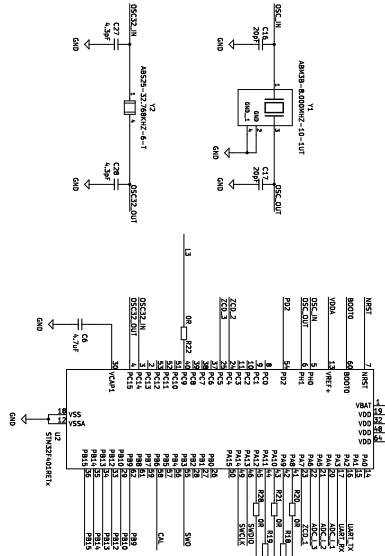
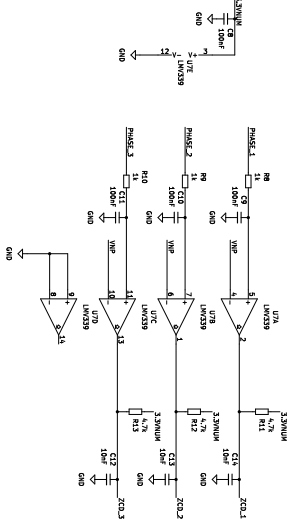


Hand in 500P -> Independent + Service  
 Details: 3.3µF  
 Rating: 5.0V  
 Tolerance: ±20%  
 Temperature: -55°C to 125°C  
 -> A: 3.3µF  
 -> B: 5.0V  
 -> C: 20%  
 -> D: -55°C  
 -> E: 125°C  
 4 bigger parallel 500P  
 4 bigger parallel 500P  
 4 bigger parallel 500P  
 4 bigger parallel 500P  
 4 bigger parallel 500P  
 -> V: -55...125°C/20%  
 VBS: Value = max + 10% (tolerance)  
 -> 3.3µF (3.3µF)  
 -> V: 5.0V (5.0V)  
 -> W: 20% (tolerance)  
 -> X: -55...125°C (Temp range)  
 -> Y: 10% (tolerance)  
 -> Z: 20% (tolerance)



3.3µF  
 12V  
 5000ohm  
 3.3µF  
 12V  
 5000ohm  
 3.3µF  
 12V  
 5000ohm

3.3µF  
 12V  
 5000ohm  
 3.3µF  
 12V  
 5000ohm  
 3.3µF  
 12V  
 5000ohm



Sheet /	
File: E:\SCHLICK\KLEIN\	
Title:	
Author:	
Checked: E.K. / T.M. / M.B.	
Date: 01/11/04	