

## 3-Pin Switch-Mode LED Lamp Driver IC

### Features

- Constant Output Current:
  - HV9921 – 20mA
  - HV9922 – 50mA
- Universal 85-264VAC Operation
- Fixed OFF-Time Buck Converter
- Internal 500V Power MOSFET

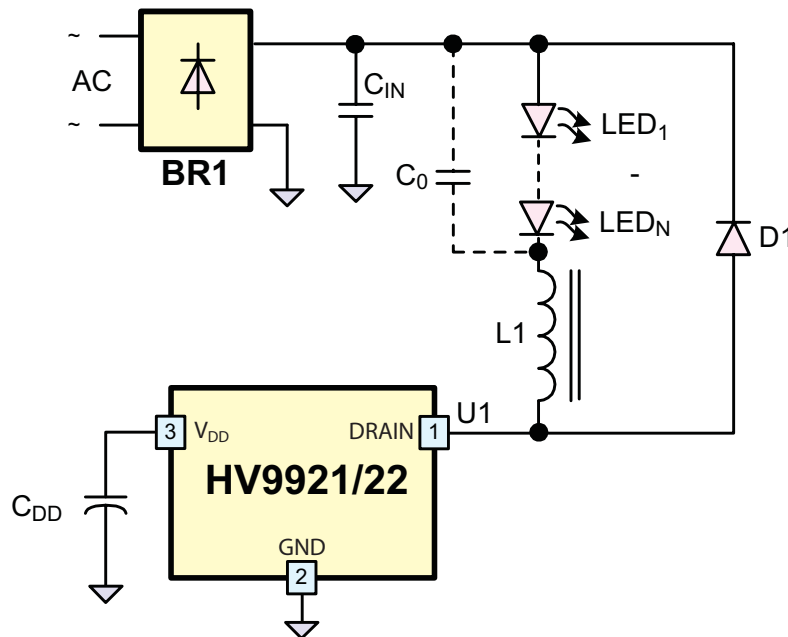
### Applications

- Decorative Lighting
- Low Power Lighting Fixtures

### General Description

The HV9921/22 are pulse width modulated (PWM) high-efficiency LED driver control ICs. They allow efficient operation of LED strings from voltage sources ranging up to 400VDC. The HV9921/22 include an internal high-voltage switching MOSFET controlled with fixed off-time  $T_{OFF}$  of approximately 10 $\mu$ s. The LED string is driven at constant current, thus providing constant light output and enhanced reliability. The output current is internally fixed at 20mA for HV9921 and 50mA for HV9922. The peak current control scheme provides good regulation of the output current throughout the universal AC line voltage range of 85 to 264VAC or DC input voltage of 20 to 400V.

### Typical Application Circuit



## Ordering Information

DEVICE	Package Options	
	TO-92	SOT-89
HV9921	HV9921N3	HV9921N8
HV9922	HV9922N3	HV9922N8

## Absolute Maximum Ratings

Supply Voltage, $V_{DD}$	-0.3 to +10V
Supply Current, $I_{DD}$	+5mA
Operating Ambient Temperature Range	-40°C to +85°C
Operating Junction Temperature Range	-40° to +125°C
Storage Temperature Range	-65° to +150°C
Power Dissipation @ 25°C, TO-92	740mW
Power Dissipation @ 25°C, SOT-89	1600mW <sup>†</sup>

<sup>†</sup> Mounted on FR4 board, 25mm x 25mm x 1.57mm.  
Stresses beyond those listed under "Absolute Maximum Ratings" may cause permanent damage to the device. These are stress ratings only, and functional operation of the device at these or any other conditions beyond those indicated in the operational sections of the specifications is not implied. Exposure to absolute maximum rating conditions for extended periods may affect device reliability.

**Electrical Characteristics** (The \* denotes the specifications which apply over the full operating junction temperature range of -40°C <  $T_A$  < +85°C, otherwise the specifications are at  $T_A=25^\circ\text{C}$ ,  $V_{DRAIN}=50\text{V}$ , unless otherwise noted)

### Regulator (VDD)

Symbol	Parameter	Min	Typ	Max	Units	Conditions
$V_{DD}$	$V_{DD}$ Regulator Output	7.1	7.5	7.8	V	
$V_{DRAIN}$	$V_{DRAIN}$ Supply Voltage	20			V	
$V_{UVLO}$	$V_{DD}$ Undervoltage Threshold	5.0			V	
$\Delta V_{UVLO}$	$V_{DD}$ Undervoltage Lockout Hysteresis		200		mV	
$I_{DD}$	Operating Supply Current		200	350	$\mu\text{A}$	$V_{DD(EXT)} = 8.5\text{V}$ , $V_{DRAIN} = 40\text{V}$

### Output (DRAIN)

Symbol	Parameter	Min	Typ	Max	Units	Conditions
$V_{BR}$	Breakdown Voltage	500			V	
$R_{ON}$	ON Resistance – HV9921		110	210	$\Omega$	$I_{DRAIN} = 20\text{mA}$
$R_{ON}$	ON Resistance – HV9922		100	200	$\Omega$	$I_{DRAIN} = 50\text{mA}$
$C_{DRAIN}$	Output Capacitance		1	5	pF	$V_{DRAIN} = 400\text{V}$
$I_{SAT}$	MOSFET Saturation Current	100	150		mA	

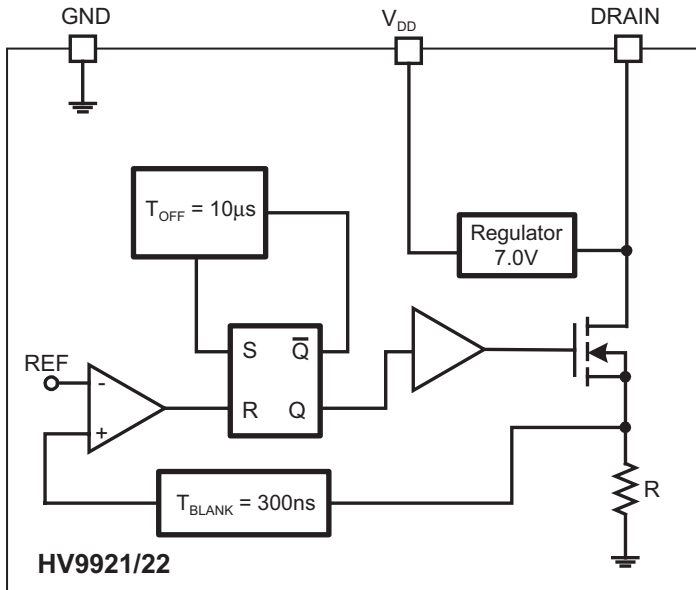
### Current Sense Comparator

Symbol	Parameter	Min	Typ	Max	Units	Conditions
$I_{TH}$	Threshold Current – HV9921	20.5		25.5	mA	*
$I_{TH}$	Threshold Current – HV9922	52		63	mA	*
$T_{BLANK}$	Leading Edge Blanking Delay	200	300	400	ns	*
$T_{ON(MIN)}$	Minimum ON Time			650	ns	

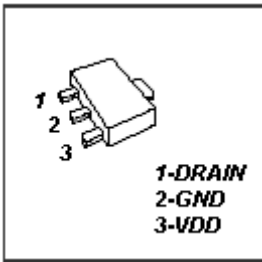
### OFF-Time Generator

Symbol	Parameter	Min	Typ	Max	Units	Conditions
$T_{OFF}$	OFF Time	8	10.5	13	$\mu\text{s}$	

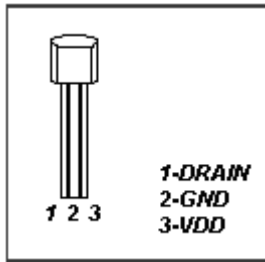
### Functional Block Diagram



### Pin Configuration



TO-243AA (SOT-89)



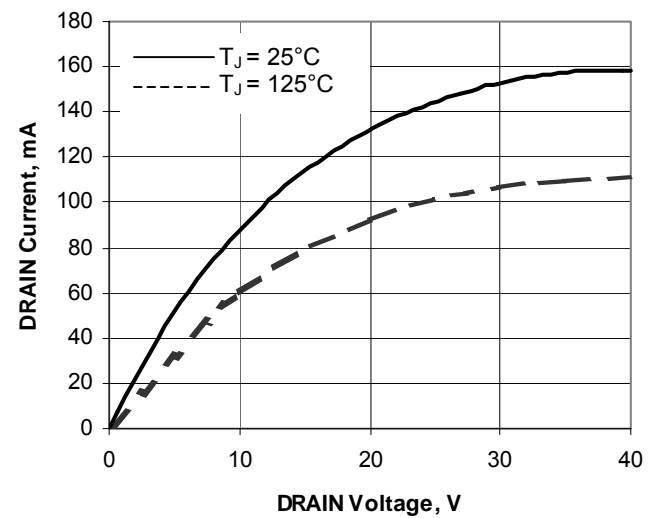
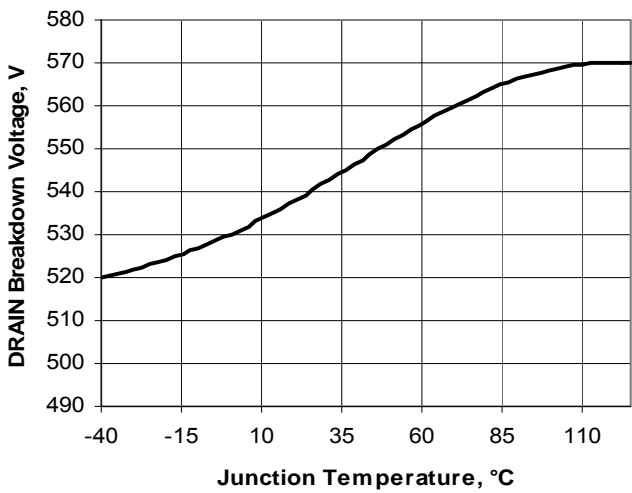
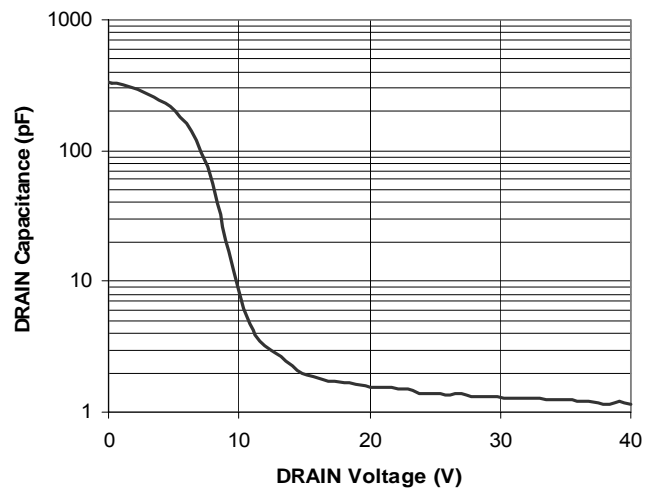
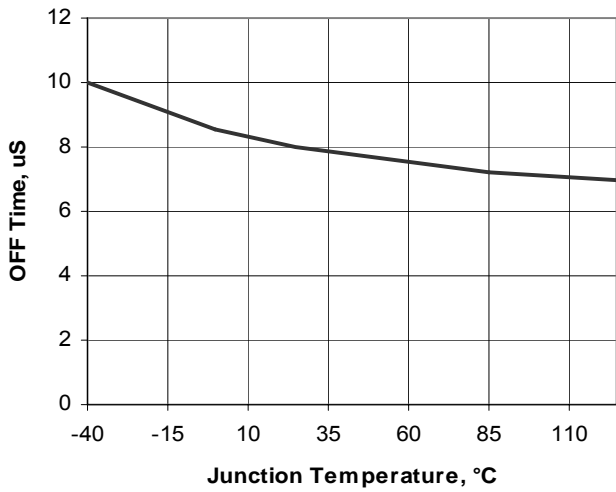
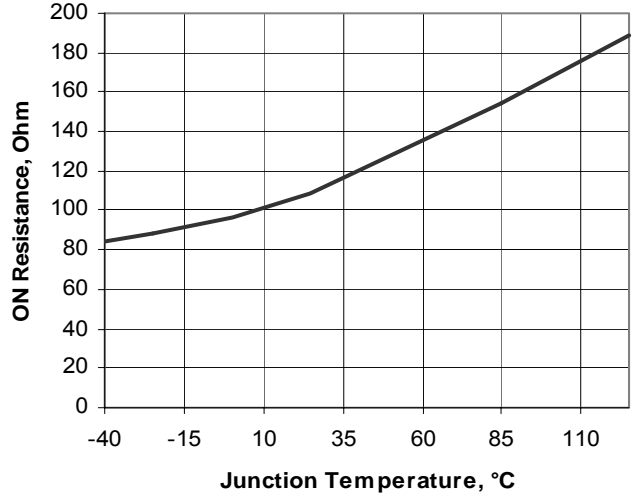
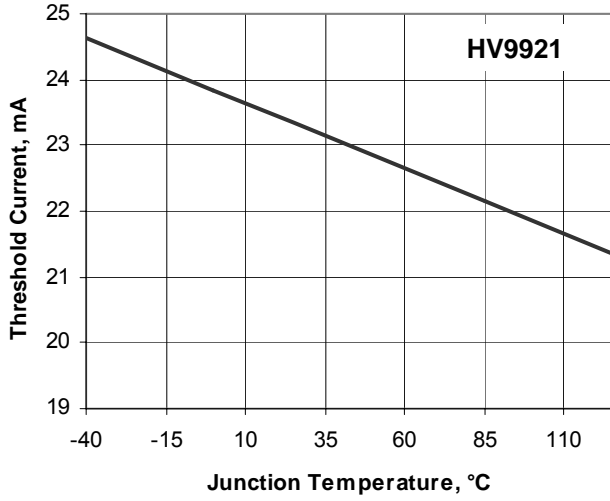
TO-92

**DRAIN** – This is a drain terminal of the output switching MOSFET and a linear regulator input.

**V<sub>DD</sub>** – This is a power supply pin for all control circuits. Bypass this pin with a 0.1µF low impedance capacitor.

**GND** – This is a common connection for all circuits.

Typical Performance Characteristics ( $T_J = 25^\circ\text{C}$  unless otherwise noted)



## Functional Description

HV9921 and HV9922 are PWM peak current controllers for controlling a buck converter topology in continuous conduction mode (CCM). The output current is internally preset at 20mA (HV9921) or 50mA (HV9922).

When the input voltage of 20 to 400V appears at the DRAIN pin, the internal high-voltage linear regulator seeks to maintain a voltage of 7VDC at the V<sub>DD</sub> pin. Until this voltage exceeds the internally programmed under-voltage threshold, the output switching MOSFET is non-conductive. When the threshold is exceeded, the MOSFET turns on. The input current begins to flow into the DRAIN pin. Hysteresis is provided in the under-voltage comparator to prevent oscillation.

When the input current exceeds the internal preset level, a current sense comparator resets an RS flip-flop, and the MOSFET turns off. At the same time, a one-shot circuit is activated that determines the duration of the off-state (10.5µS typ.). As soon as this time is over, the flip-flop sets again. The new switching cycle begins.

A “blanking” delay of 300nS is provided that prevents false triggering of the current sense comparator due to the leading edge spike caused by circuit parasitics.

## Application Information

The HV9921/22 is a low-cost off-line buck converter IC specifically designed for driving multi-LED strings. It can be operated from either universal AC line range of 85 to 264VAC, or 20 to 400VDC, and drives up to tens of high brightness LEDs. All LEDs can be run in series, and the HV9921/22 regulates at constant current, yielding uniform illumination. The HV9921/22 is compatible with triac dimmers. The output current is internally fixed at 20mA for HV9921 and 50mA for HV9922. Both parts are available in space saving TO-92 and SOT-89 packages.

### Selecting L1 and D1

There is a certain trade-off to be considered between optimal sizing of the output inductor L1 and the tolerated output current ripple. The required value of L1 is inversely proportional to the ripple current  $\Delta I_o$  in it.

$$L1 = \frac{V_o \cdot T_{OFF}}{\Delta I_o} \quad (1)$$

V<sub>O</sub> is the forward voltage of the LED string. T<sub>OFF</sub> is the off-time of the HV9921/22. The output current in the LED string (I<sub>o</sub>) is calculated then as:

$$I_o = I_{TH} - \frac{1}{2} \cdot \Delta I_o, \quad (2)$$

where I<sub>TH</sub> is the current sense comparator threshold. The ripple current introduces a peak-to-average error in the output current setting that needs to be accounted for. Due to the constant off-time control technique used in the HV9921/22, the ripple current is independent of the input AC or DC line voltage variation. Therefore, the output current will remain unaffected by the varying input voltage.

Adding a filter capacitor across the LED string can reduce the output current ripple even further, thus permitting a reduced value of L1. However, one must keep in mind that the peak-to-average current error is affected by the variation of T<sub>OFF</sub>. Therefore, the initial output current accuracy might be sacrificed at large ripple current in L1.

Another important aspect of designing an LED driver with HV9921/22 is related to certain parasitic elements of the circuit, including distributed coil capacitance of L1, junction capacitance and reverse recovery of the rectifier diode D1, capacitance of the printed circuit board traces C<sub>PCB</sub> and output capacitance C<sub>DRAIN</sub> of the controller itself. These parasitic elements affect the efficiency of the switching converter and could potentially cause false triggering of the current sense comparator if not properly managed. Minimizing these parasitics is essential for efficient and reliable operation of HV9921/22.

Coil capacitance of inductors is typically provided in the manufacturer’s data books either directly or in terms of the self-resonant frequency (SRF).

$$SRF = 1/(2\pi\sqrt{L \cdot C_L}),$$

where L is the inductance value, and C<sub>L</sub> is the coil capacitance.) Charging and discharging this capacitance every switching cycle causes high-current spikes in the LED string. Therefore, connecting a small capacitor C<sub>O</sub> (~10nF) is recommended to bypass these spikes.

Using an ultra-fast rectifier diode for D1 is recommended to achieve high efficiency and reduce the risk of false triggering of the current sense comparator. Using diodes with shorter reverse recovery time *t<sub>rr</sub>* and lower junction capacitance C<sub>J</sub> achieves better performance. The reverse voltage

rating  $V_R$  of the diode must be greater than the maximum input voltage of the LED lamp.

The total parasitic capacitance present at the DRAIN pin of the HV9921/22 can be calculated as:

$$C_P = C_{DRAIN} + C_{PCB} + C_L + C_J \quad (3)$$

When the switching MOSFET turns on, the capacitance  $C_P$  is discharged into the DRAIN pin of the IC. The discharge current is limited to about 150mA typically. However, it may become lower at increased junction temperature. The duration of the leading edge current spike can be estimated as:

$$T_{SPIKE} = \frac{V_{IN} \cdot C_P}{I_{SAT}} + t_{rr} \quad (4)$$

In order to avoid false triggering of the current sense comparator,  $C_P$  must be minimized in accordance with the following expression:

$$C_P < \frac{I_{SAT} \cdot (T_{BLANK(MIN)} - t_{rr})}{V_{IN(MAX)}} \quad (5)$$

where  $T_{BLANK(MIN)}$  is the minimum blanking time of 200ns, and  $V_{IN(MAX)}$  is the maximum instantaneous input voltage.

## Estimating Power Loss

Discharging the parasitic capacitance  $C_P$  into the DRAIN pin of the HV9921/22 is responsible for the bulk of the switching power loss. It can be estimated using the following equation:

$$P_{SWITCH} = \left( \frac{V_{IN}^2 C_P}{2} + V_{IN} I_{SAT} \cdot t_{rr} \right) \cdot F_S \quad (6)$$

where  $F_S$  is the switching frequency,  $I_{SAT}$  is the saturated DRAIN current of the HV9921/22. The switching loss is the greatest at the maximum input voltage.

The switching frequency is given by the following:

$$F_S = \frac{V_{IN} - \eta^{-1} \cdot V_O}{V_{IN} \cdot T_{OFF}} \quad (7)$$

where  $\eta$  is the efficiency of the power converter.

When the HV9921/22 LED driver is powered from the full-wave rectified AC input, the switching power loss can be estimated as:

$$P_{SWITCH} \approx \frac{1}{2 \cdot T_{OFF}} (V_{AC} \cdot C_P + 2 \cdot I_{SAT} \cdot t_{rr}) (V_{AC} - \eta^{-1} \cdot V_O) \quad (8)$$

$V_{AC}$  is the input AC line voltage.

The switching power loss associated with turn-off transitions of the DRAIN pin can be disregarded. Due to the large amount of parasitic capacitance connected to this switching node, the turn-off transition occurs essentially at zero-voltage.

Conduction power loss in the HV9921/22 can be calculated as

$$P_{COND} = D \cdot I_O^2 \cdot R_{ON} + I_{DD} \cdot V_{IN} \cdot (1 - D), \quad (9)$$

where  $D = V_O / \eta V_{IN}$  is the duty ratio,  $R_{ON}$  is the ON resistance,  $I_{DD}$  is the internal linear regulator current.

When the LED driver is powered from the full-wave rectified AC line input, the exact equation for calculating the conduction loss is more cumbersome. However, it can be estimated using the following equation:

$$P_{COND} = K_C \cdot I_O^2 \cdot R_{ON} + K_d \cdot I_{DD} \cdot V_{AC}, \quad (10)$$

where  $V_{AC}$  is the input AC line voltage. The coefficients  $K_C$  and  $K_d$  can be determined from the minimum duty ratio of the HV9921/22

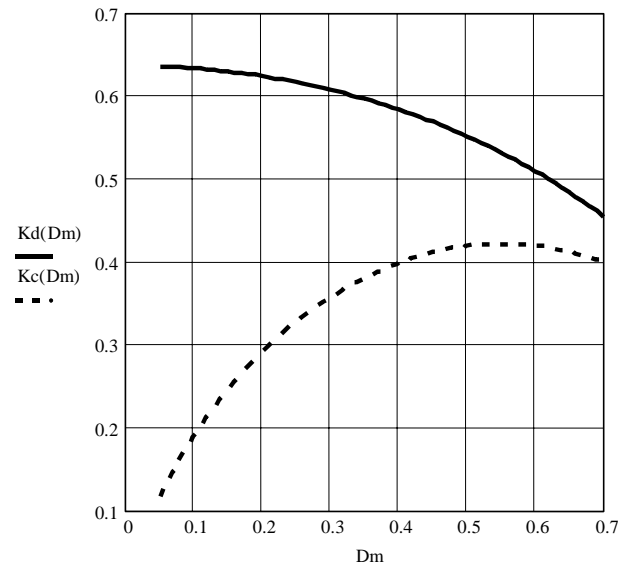


Fig. 1. Conduction Loss Coefficients  $K_C$  and  $K_d$

## EMI Filter

As with all off-line converters, selecting an input filter is critical to obtaining good EMI. A switching side capacitor, albeit of small value, is necessary in order to ensure low impedance to the high frequency

switching currents of the converter. As a rule of thumb, this capacitor should be approximately 0.1-0.2  $\mu\text{F}/\text{W}$  of LED output power. A recommended input filter is shown in Figure 2 for the following design example.

## Design Example 1

Let us design an HV9921 LED lamp driver meeting the following specifications:

Input: Universal AC, 85-264VAC  
 Output Current: 20mA  
 Load: String of 10 LED (LW541C by OSRAM  
 $V_F = 4.1\text{V}$  max. each)

### Step 1. Calculating L1.

The output voltage  $V_O = 10 \cdot V_F \approx 41\text{V}$  (max.). Use equation (1) assuming a 30% peak-to-peak ripple.

$$L1 = \frac{41\text{V} \cdot 10.5\mu\text{s}}{0.3 \cdot 20\text{mA}} = 72\text{mH}$$

Select L1 68mH, I=30mA. Typical SRF=170KHz. Calculate the coil capacitance.

$$C_L = \frac{1}{L1 \cdot (2\pi \cdot \text{SRF})^2} = \frac{1}{68\text{mH} \cdot (2\pi \cdot 170\text{KHz})^2} \approx 13\text{pF}$$

### Step 2. Selecting D1

Usually, the reverse recovery characteristics of ultra-fast rectifiers at  $I_F=20\sim 50\text{mA}$  are not provided in the manufacturer's data books. The designer may want to experiment with different diodes to achieve the best result.

Select D1 MUR160 with  $V_R = 600\text{V}$ ,  $t_{rr} \approx 20\text{ns}$  ( $I_F=20\text{mA}$ ,  $I_{RR}=100\text{mA}$ ) and  $C_J \approx 8\text{pF}$  ( $V_F>50\text{V}$ ).

### Step 3. Calculating total parasitic capacitance using (3)

$$C_p = 5\text{pF} + 5\text{pF} + 13\text{pF} + 8\text{pF} = 31\text{pF}$$

### Step 4. Calculating the leading edge spike duration using (4), (5)

$$T_{\text{SPIKE}} = \frac{264\text{V} \cdot \sqrt{2} \cdot 31\text{pF}}{100\text{mA}} + 20\text{ns} \approx 136\text{ns} < T_{\text{BLANK(MIN)}}$$

### Step 5. Estimating power dissipation in HV9921 at 264VAC using (8) and (10)

Let us assume that the overall efficiency  $\eta = 0.7$ .

### Switching power loss:

$$P_{\text{SWITCH}} \approx \frac{1}{2 \cdot 10.5\mu\text{s}} (264\text{V} \cdot 31\text{pF} + 2 \cdot 100\text{mA} \cdot 20\text{ns}) \left( 264\text{V} - \frac{41\text{V}}{0.7} \right)$$

$$P_{\text{SWITCH}} \approx 120\text{mW}$$

### Minimum duty ratio:

$$D_m = 41\text{V} / (0.7 \cdot 264\text{V} \cdot \sqrt{2}) \approx 0.16$$

### Conduction power loss:

$$P_{\text{COND}} = 0.25 \cdot (20\text{mA})^2 \cdot 210\Omega + 0.63 \cdot 200\mu\text{A} \cdot 264\text{V} \approx 55\text{mW}$$

### Total power dissipation in HV9921:

$$P_{\text{TOTAL}} = 120\text{mW} + 55\text{mW} = 175\text{mW}$$

### Step 6. Selecting input capacitor C<sub>IN</sub>

$$\text{Output Power} = 41\text{V} \cdot 20\text{mA} = 820\text{mW}$$

Select C<sub>IN</sub> ECQ-E4104KF by Panasonic (0.1 $\mu\text{F}$ , 400V, Metalized Polyester Film).

## Design Example 2

Let us design an LED lamp driver using the HV9922 that would meet the following specifications:

Input: Universal AC, 85-135VAC  
 Output Current: 50mA  
 Load: String of 12 LED (Power TOPLED® by OSRAM,  $V_F = 2.5\text{V}$  max. each)

### Step 1. Calculating L1.

The output voltage  $V_O = 12 \cdot V_F = 30\text{V}$  (max.). Use equation (1) assuming a 30% peak-to-peak ripple.

$$L1 = \frac{30\text{V} \cdot 10.5\mu\text{s}}{0.3 \cdot 50\text{mA}} = 21\text{mH}$$

Select L1 22mH, I=60mA. Typical SRF=270KHz. Calculate the coil capacitance.

$$C_L = \frac{1}{L1 \cdot (2\pi \cdot \text{SRF})^2} = \frac{1}{22\text{mH} \cdot (2\pi \cdot 270\text{KHz})^2} \approx 15\text{pF}$$

### Step 2. Selecting D1

Select D1 MUR160 with  $V_R = 600\text{V}$ ,  $t_{rr} \approx 50\text{ns}$  and  $C_J \approx 8\text{pF}$  ( $V_F>50\text{V}$ ).

**Step 3.** Calculating total parasitic capacitance using (3)

$$C_p = 5\text{ pF} + 5\text{ pF} + 15\text{ pF} + 8\text{ pF} = 33\text{ pF}$$

**Step 4.** Calculating the leading edge spike duration using (4), (5)

$$T_{SPIKE} = \frac{135\text{V} \cdot \sqrt{2} \cdot 33\text{ pF}}{100\text{ mA}} + 50\text{ ns} \approx 113\text{ ns} < T_{BLANK(MIN)}$$

**Step 5.** Estimating power dissipation in HV9922 at 135VAC using (8) and (10)

**Switching power loss:**

$$P_{SWITCH} \approx \frac{1}{2 \cdot 10.5\text{ }\mu\text{s}} (135\text{V} \cdot 33\text{ pF} + 2 \cdot 100\text{ mA} \cdot 50\text{ ns}) \left( 135\text{V} - \frac{30\text{V}}{0.7} \right)$$

$$P_{SWITCH} \approx 65\text{ mW}$$

**Minimum duty ratio:**

$$D_m = 30\text{V} / (0.7 \cdot 135\text{V} \cdot \sqrt{2}) \approx 0.23$$

**Conduction power loss:**

$$P_{COND} = 0.32 \cdot (50\text{ mA})^2 \cdot 200\text{ }\Omega + 0.62 \cdot 200\text{ }\mu\text{A} \cdot 135\text{V} \approx 175\text{ mW}$$

**Total power dissipation in HV9922:**

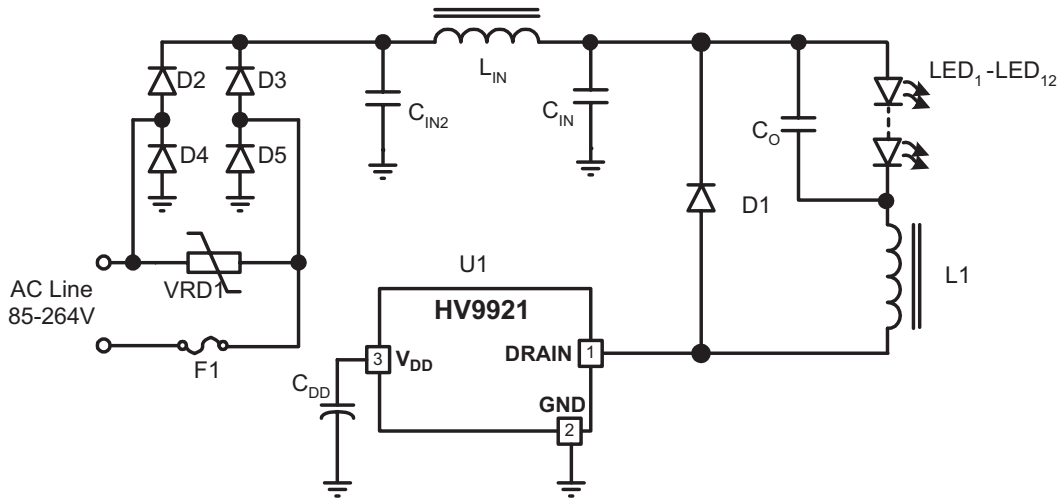
$$P_{TOTAL} = 65\text{ mW} + 175\text{ mW} = 240\text{ mW}$$

**Step 6.** Selecting input capacitor  $C_{IN}$

$$\text{Output Power} = 30\text{V} \cdot 50\text{ mA} = 1.5\text{ W}$$

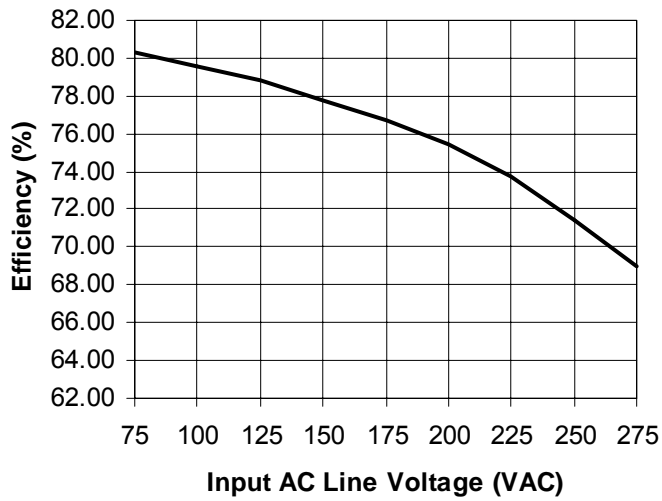
Select  $C_{IN}$  0.22 $\mu$ F, 250V.

**Figure 2.** Universal 85-264VAC LED Lamp Driver

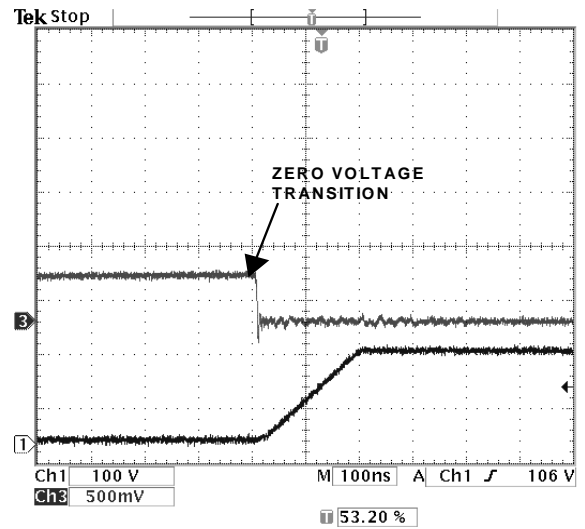




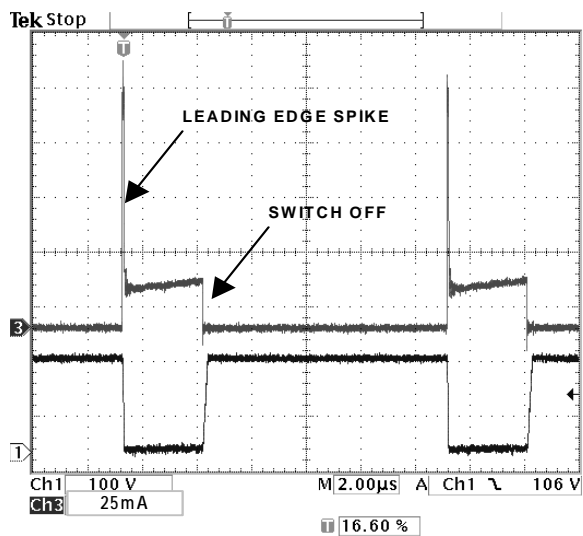
**Figure 3. Typical Efficiency**



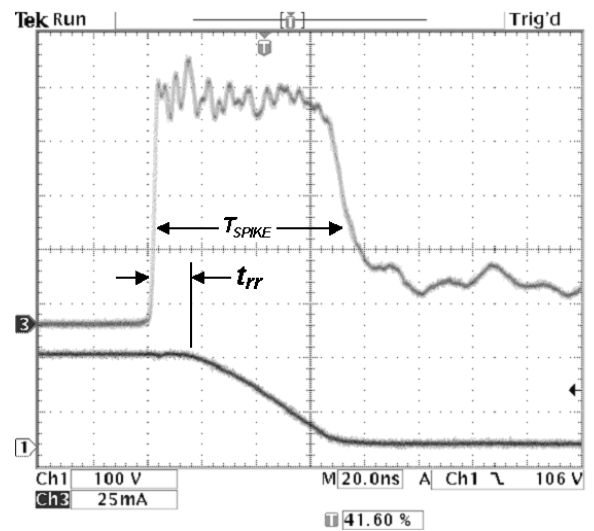
**Figure 4. Switch-Off Transition. Ch1:  $V_{DRAIN}$ , Ch3:  $I_{DRAIN}$**



**Figure 5. Typical Efficiency**



**Figure 6. Switch-Off Transition. Ch1:  $V_{DRAIN}$ , Ch3:  $I_{DRAIN}$**



## HV9921/22 Layout Considerations

See **Figure 7** for a recommended circuit board layout for the HV9921/22.

### Single Point Grounding

Use a single point ground connection from the input filter capacitor to the area of copper connected to the GND pin.

### Bypass Capacitor ( $C_{DD}$ )

The  $V_{DD}$  pin bypass capacitor  $C_{DD}$  should be located as near as possible to the  $V_{DD}$  and GND pins.

### Switching Loop Areas

The area of the switching loop connecting the input filter capacitor  $C_{IN}$ , the diode D1 and the HV9921/22 together should be kept as small as possible.

The switching loop area connecting the output filter capacitor  $C_O$ , the inductor L1 and the diode D1 together should be kept as small as possible.

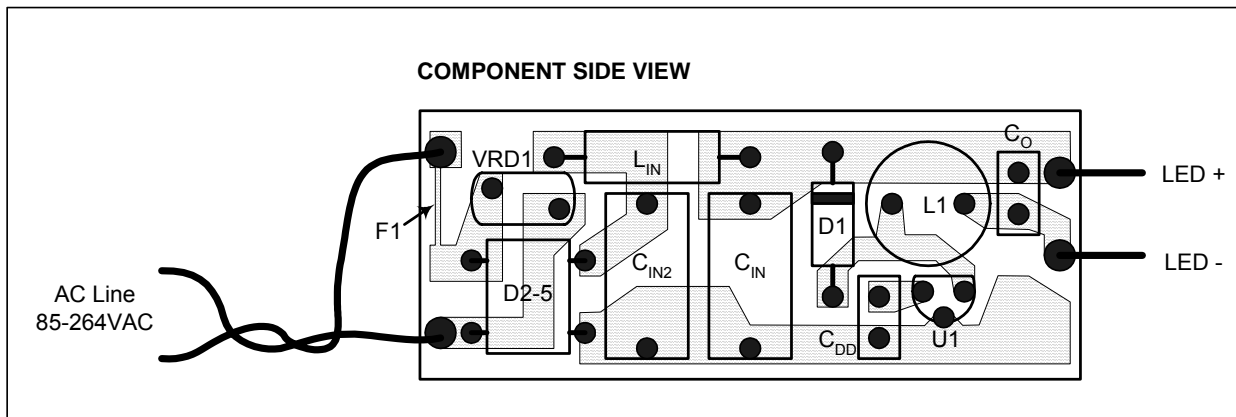
### Thermal Considerations vs. Radiated EMI

The copper area where GND pin is connected acts not only as a single point ground, but also as a heat sink. This area should be maximized for good heat sinking, especially when HV9921N8 or HV9922N8 (SOT-89 package) are used. The same applies to the cathode of the free-wheeling diode D1. Both nodes are quiet and therefore, will not cause radiated RF emission. The switching node copper area connected to the DRAIN pin of the HV9921/22, the anode of D1 and the inductor L1 needs to be minimized. A large switching node area can increase high frequency radiated EMI.

### Input Filter Layout Considerations

The input circuits of the EMI filter must not be placed in the direct proximity to the inductor L1 in order to avoid magnetic coupling of its leakage fields. This consideration is especially important when unshielded construction of L1 is used. When an axial input EMI filter inductor  $L_{IN}$  is selected, it must be positioned orthogonal with respect to L1. The loop area formed by  $C_{IN2}$ ,  $L_{IN}$  and  $C_{IN}$  should be minimized. The input lead wires must be twisted together.

**Figure 7. Recommended circuit board layout with HV9921N3/HV9922N3**



**Supertex inc.** does not recommend the use of its products in life support applications and will not knowingly sell its products for use in such applications unless it receives an adequate "products liability indemnification insurance agreement". **Supertex** does not assume responsibility for use of devices described and limits its liability to the replacement of the devices determined defective due to workmanship. No responsibility is assumed for possible omissions or inaccuracies. Circuitry and specifications are subject to change without notice. For the latest product specifications, refer to the **Supertex** website: <http://www.supertex.com>. For complete liability information on all **Supertex** products, refer to the most current databook or to the Legal/ Disclaimer page on the **Supertex** website.