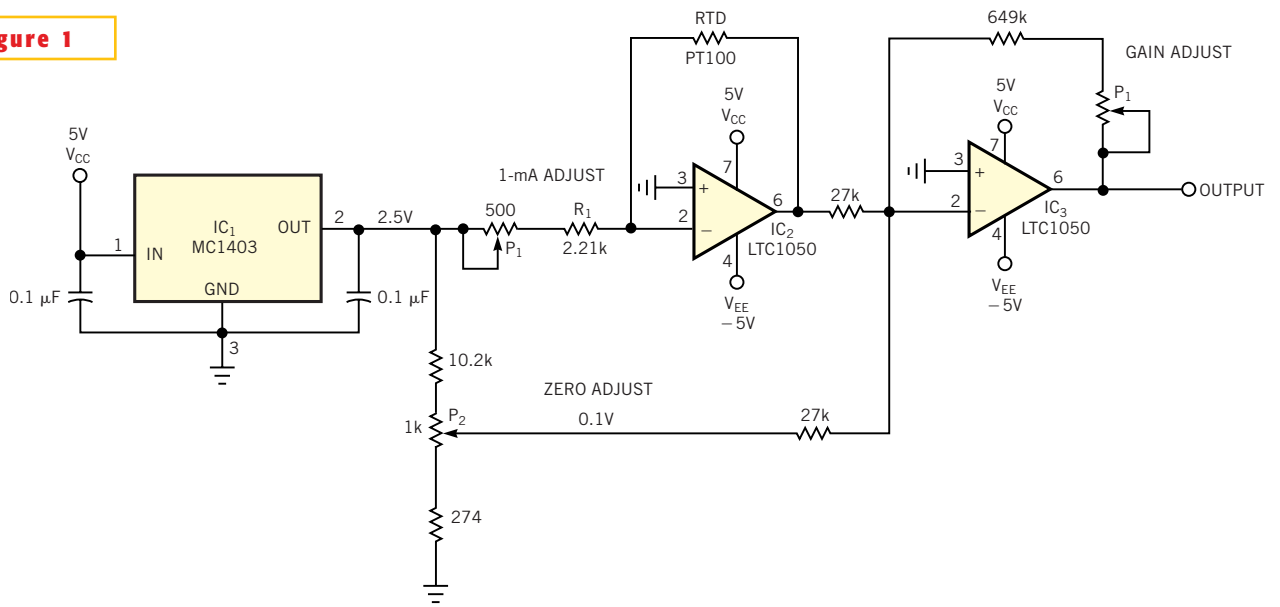


Figure 1



This circuit provides accurate temperature measurements using a PT100 RTD element.