

ANNEXE D-1

SNSA TELECOMMUNICATIONS - 3750VA INVERTER: SHEET 1 (GRID+FULL WAVE RECTIFIER)

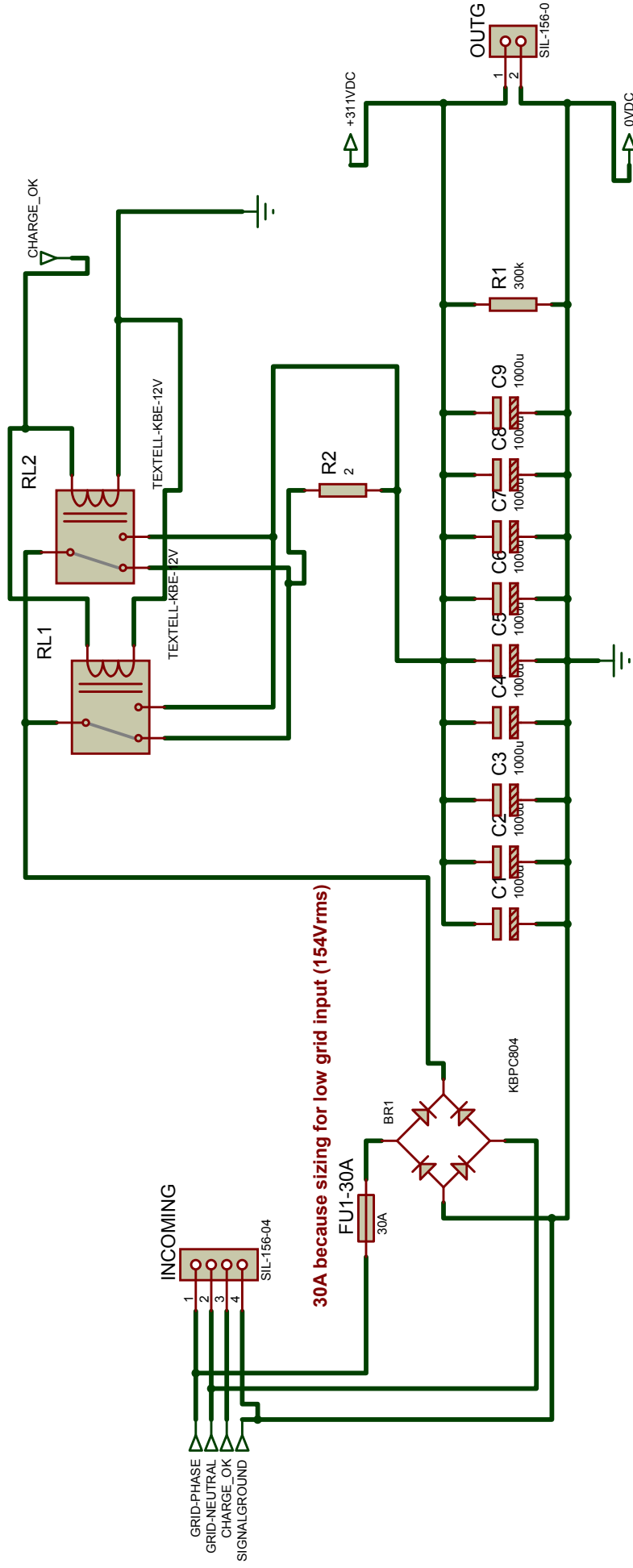


Figure 4a