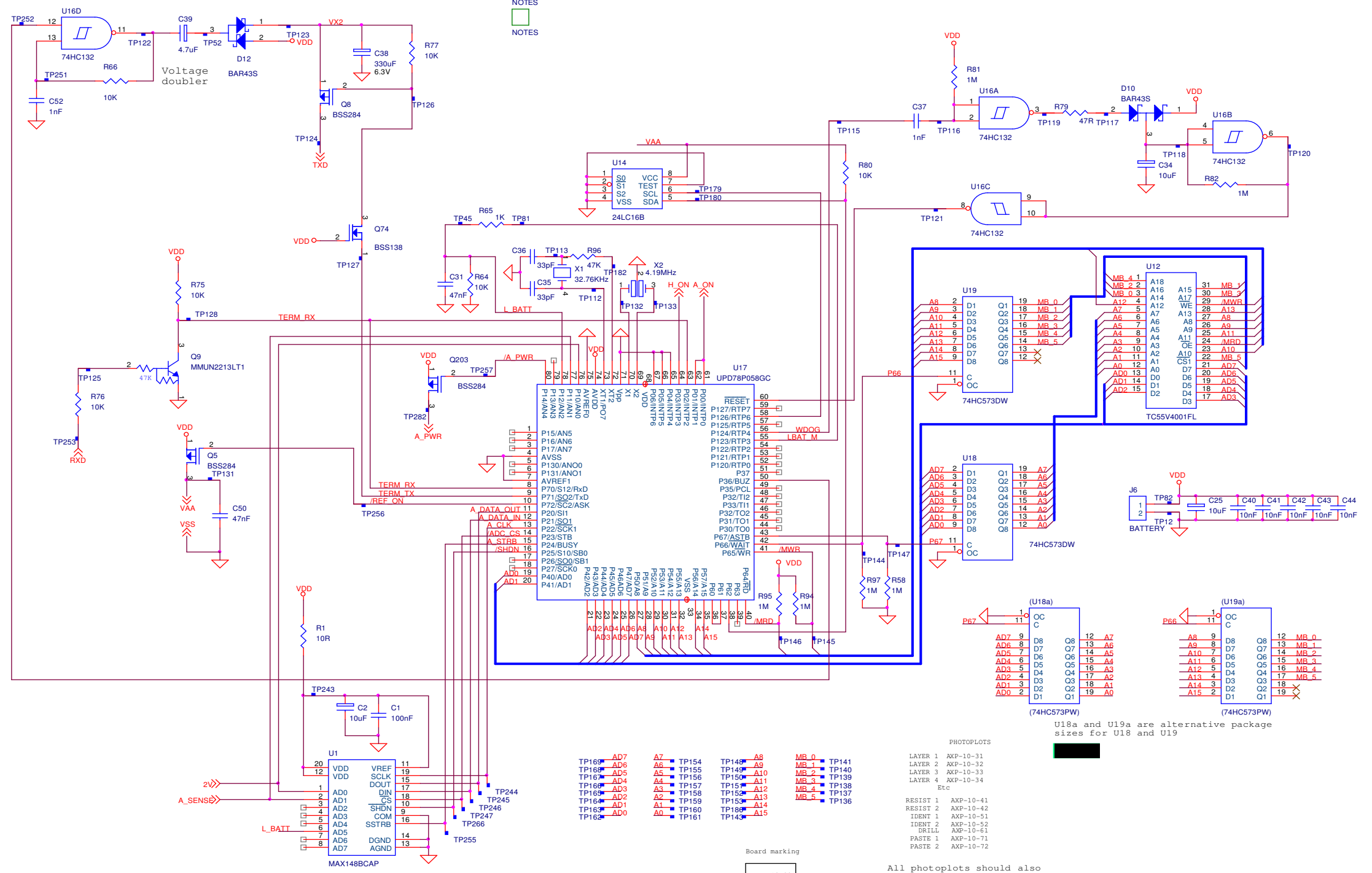


NOTES
NOTES



Board marking
AXP-10-00
Issue 3

PHOTOPLOTS
LAYER 1 AXP-10-31
LAYER 2 AXP-10-32
LAYER 3 AXP-10-33
LAYER 4 AXP-10-34
Etc
RESIST 1 AXP-10-41
RESIST 2 AXP-10-42
IDENT 1 AXP-10-51
IDENT 2 AXP-10-52
DRILL AXP-10-61
PASTE 1 AXP-10-71
PASTE 2 AXP-10-72

U18a and U19a are alternative package sizes for U18 and U19

All photoplots should also carry Issue 3 identifier