

EXT

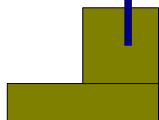
INT



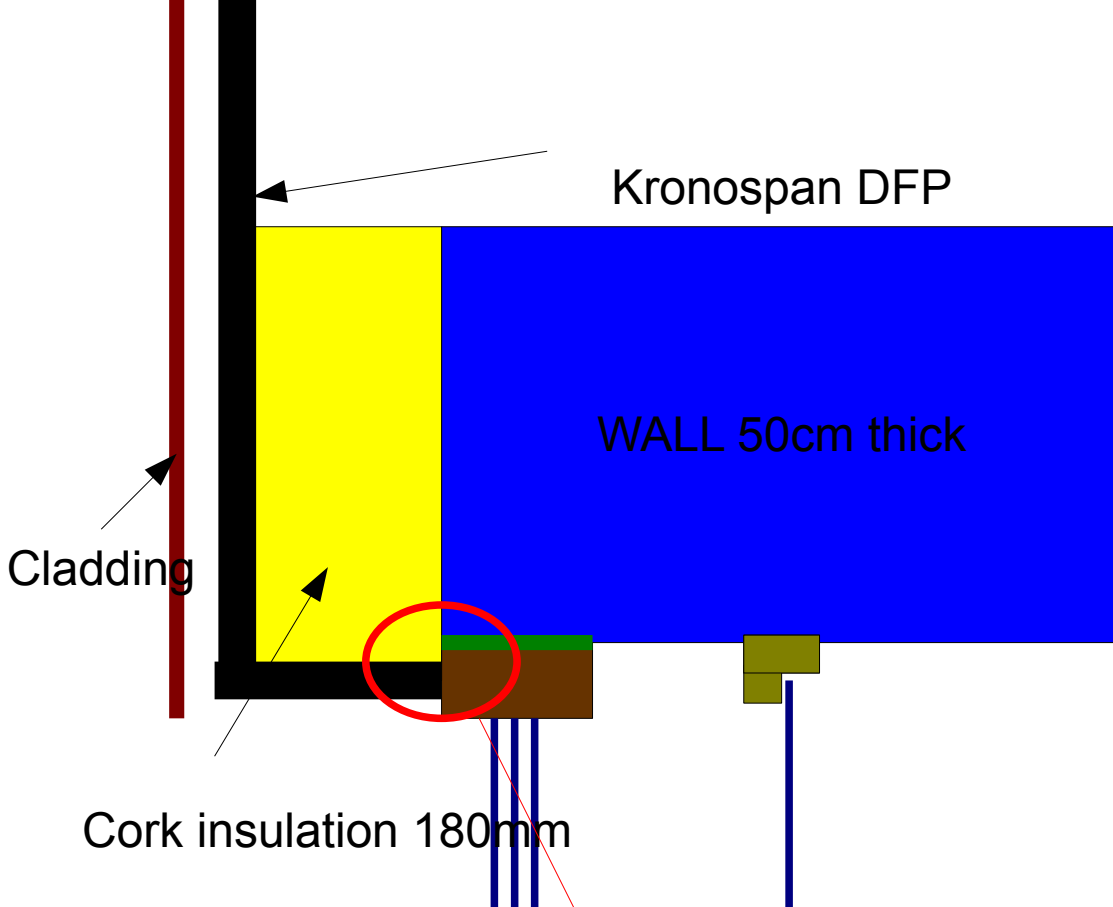
WALL 50cm thick



EXISTING WALL AND  
WINDOWS



WALL 50cm thick

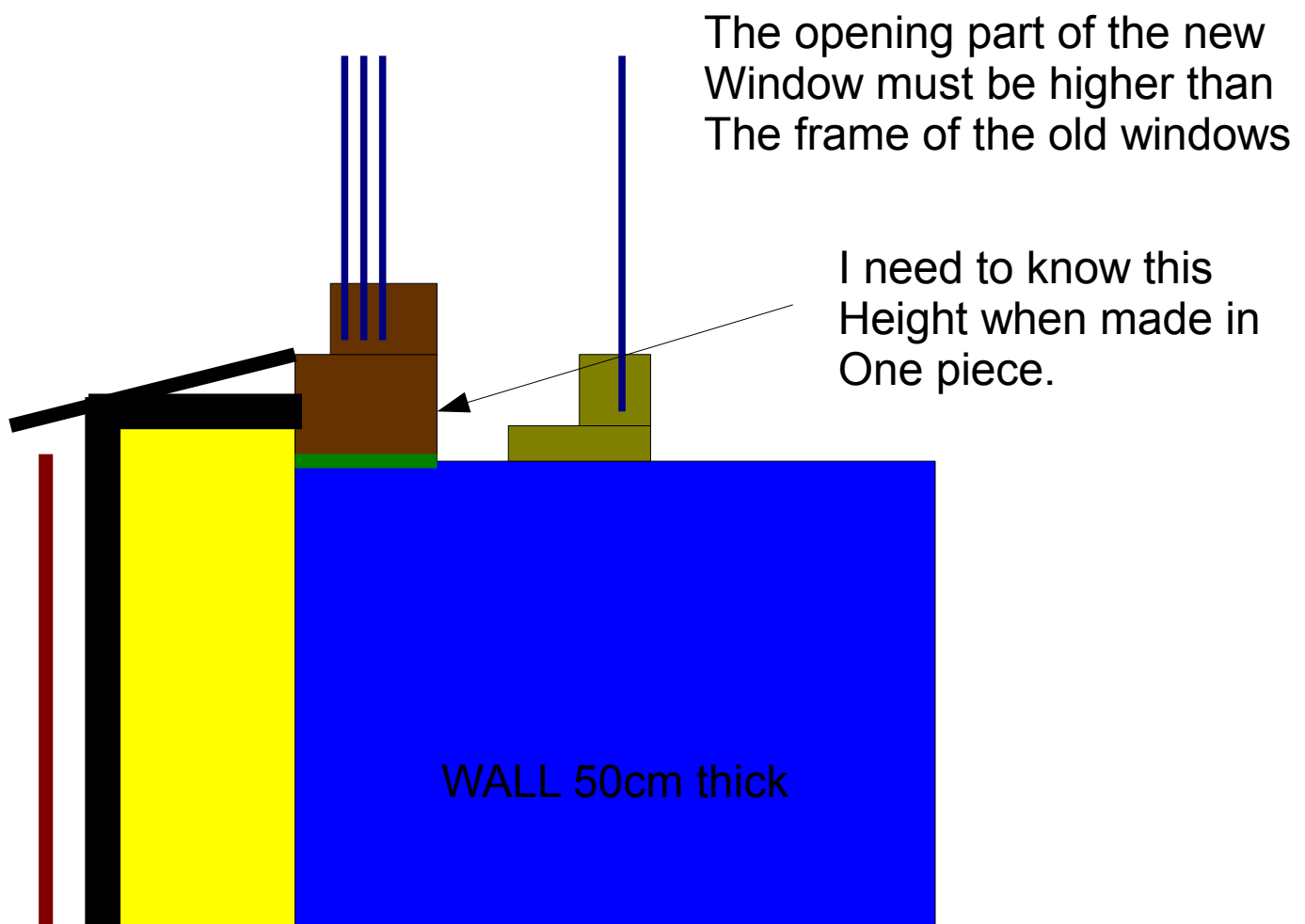


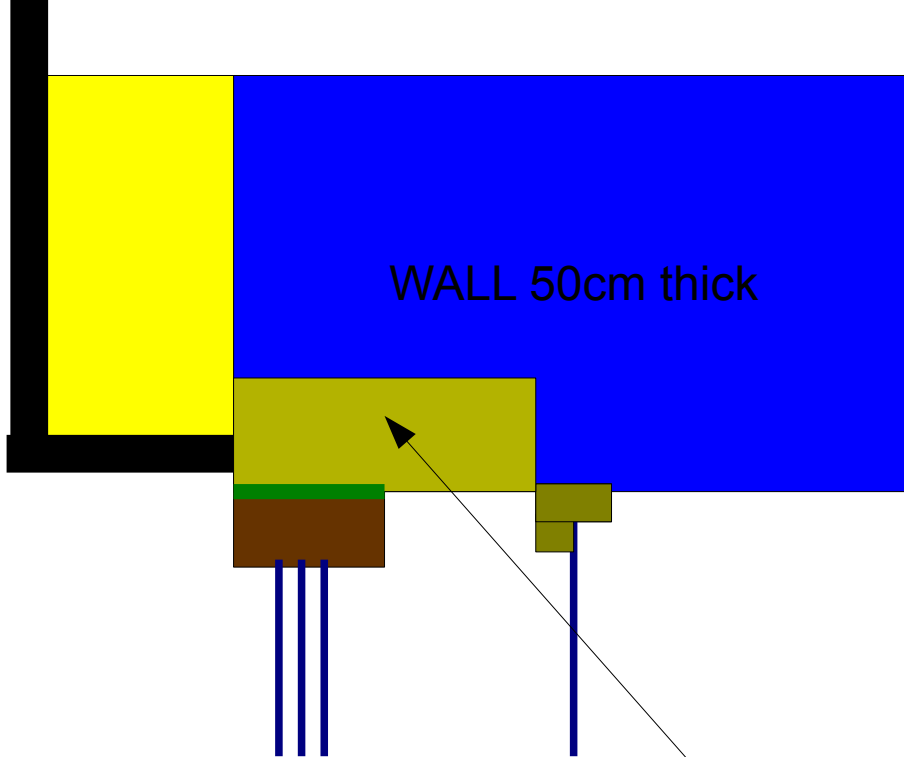
Solution #1 : The insulation comes on the frame

Inconvenient :

If the windows needs someday to be changed, the exterior  
Insulation needs to be undone !!!

Thermal bridge still exists.

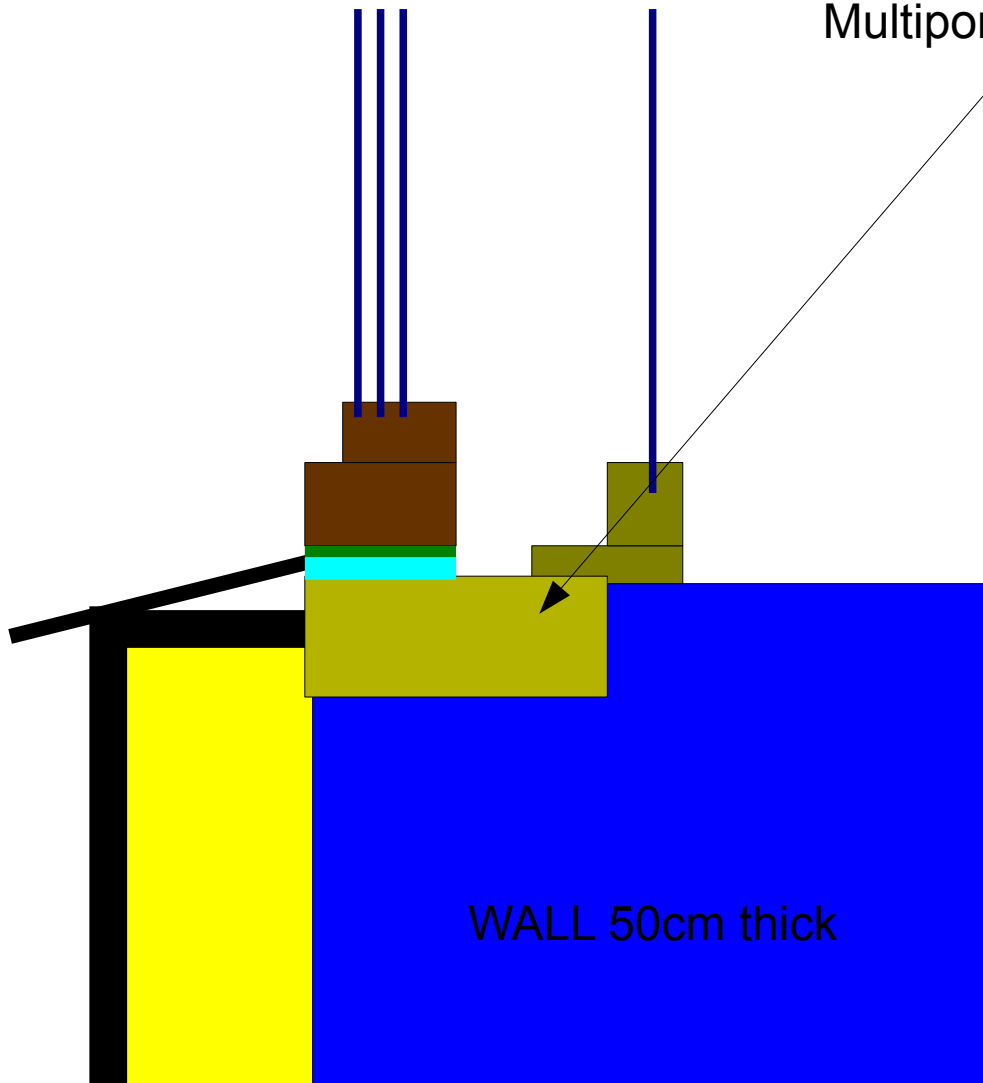




Solution #2 : Rigid isolation (TMS, cellular concrete or cork panel) is  
 Glued on the wall. Hence no thermic bridge.  
 Regular windows in one piece.  
 Inconvenient : Which insulation is airtight ?

I like this solution the most.

TMS, XPS, cork panel  
 Multipor, thermorock ?

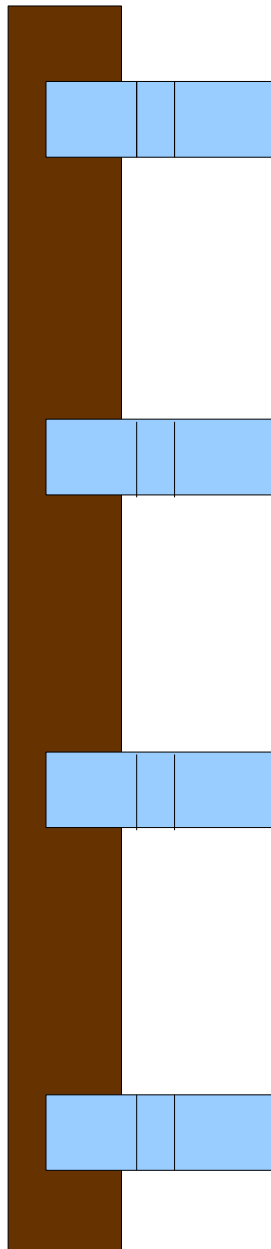


About windows fixation :

I'd like to avoid going all the way through the frame with big screws. So I think some bent metal fixture (3mm) could work very well. The dimension I give are just a guess.

What do you think of that ?

Frame from side



50mm ?

Frame from top



35mm

20mm

70mm

OR

12mm

