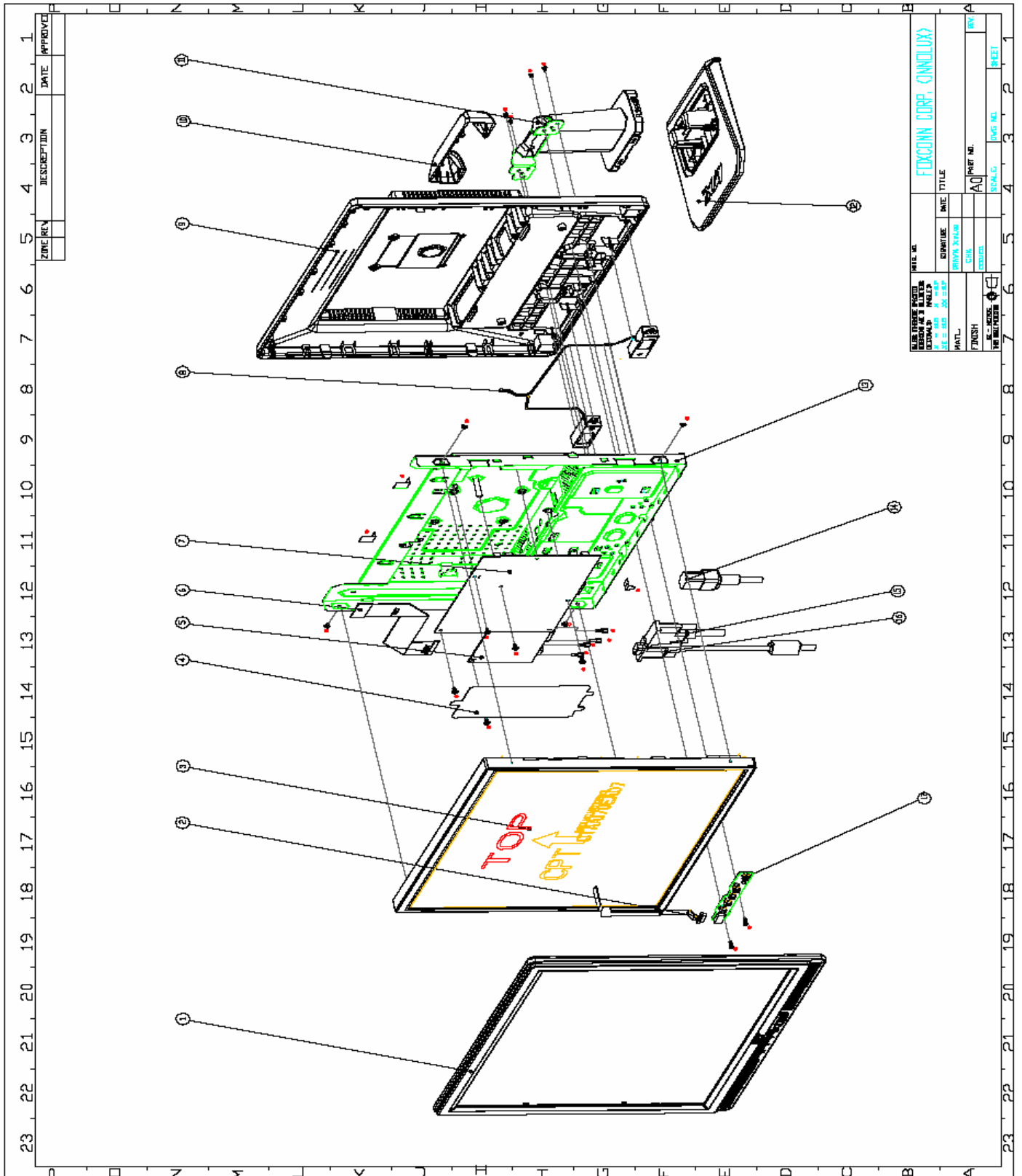


Chapter 4- Disassembly & Assembly

1. Exploded Diagram



Attachment 1- Bill of Material

PCBA P+I

Item	Component	Component Description	Quantity	Un	Installation Point
10	430637020020R	WFR. 2P P=3.5mm 90°4100-D02 RoHS	4	PC	CN501,CN502,CN503,CN504,
20	410500072270R	XSTR AOP605 N&P-CH PDIP-8(AOS RoHS	0	PC	
20	410500076270R	XSTR AOP604 N&P-CH PDIP-8(AOS) RoHS	0	PC	
20	410500069290R	XSTR AP4501GSD N&P-CH PDIP-8(A DVANCED P	2	PC	U501,U502,
30	426000090490R	XFMR SW 93uH EEL19 DIP SPW-049 RoHS	2	PC	T501,T502,
40	418110058560R	CAP CD SL 10pF 3KV J,ST,RoHS CC45SL3FD10	2	PC	C524,C526,
50	418105058960R	CAP CD SL 5pF 3KV D,ST, RoHS CC45SL3FD05	2	PC	C525,C527,
60	502040604500R	SHIELD,EMI, LE1915 ROHS	1	PC	H501,
70	412140001390R	IC EL817M-B(EVERLIGHT)RoHS	0	PC	
70	412140002380R	IC LTV817M-PR VDE (LITE-ON) P=10mm RoHS	1	PC	IC801,
80	411050007010R	DIO BRDG KBL405G 600V/4A(TSC) RoHS	0	PC	
80	411050006041R	DIO BRDG KBL06M 600V/4A(MOSPEC RoHS	0	PC	
80	411050005020R	DIO BRDG BL4-06-BF52-LF 600V/4A(FRONTIER	1	PC	D801,
90	420431014082R	CAP SEK 100uF/450V M,105°C CF 18x40(2.5)	1	PC	C805,
100	420421020102R	CAP EC 1000uF/10V M,105°C N-F 10x16(L-ES	2	PC	C809,C812,
110	420426810210R	CAP SD 680uF/25V M 105°C F 10x20 RoHS	2	PC	C808,C826,
120	416202223610R	CAP MEY 2200pF 250V M Y2 Y5V P=7.5mm RoH	2	PC	C801,C806,
130	416202224610R	CAP MEY 2200pF 400V M Y,F10mm RoHS	1	PC	C820,
140	416204724610R	CAP MEY 4700pF 400V M Y,F10mm RoHS	1	PC	C824,
150	416194743011R	CAP MEX 0.47uF 275V K X2,F15 RoHS	1	PC	C804,
160	425000010530R	COIL CHK 5uH 7.8X10 CHK-053 0 181085R0L	2	PC	L802,L803,
170	426000050070R	CHOKE L-FILTER 12mH LIN-007 ET-20,RoHS	1	PC	L801,
180	426000090510R	XFMR 750u@1K,+8%,3m,113m,SPW- 051,DIP-1	1	PC	T801,
190	432009400701R	NTC 5Ω 4A 10φ P=5mm, F RoHS	1	PC	RT801,
200	430613420290R	FUSE SLOW 2,250,Axial Lead,3.6 x10mm RoH	1	PC	F801,
210	440149000230R	SKT AC 10A/250V U/C/V,G/Y=45mm TU-301-SP	1	PC	P801,
220	430300800410R	HRN ASS'Y 8P 60mm UL1007#24, RoHS	1	PC	CN801,
230	418247233020R	CAP CD X7R 4700pF 1KV K,W/O FO RMING,RoH	1	PC	C803,
240	735100005400R	ASSY,H/S SRF5-04CT/8-10CT, LE1700 ROHS	1	PC	
250	735100005900R	ASSY,H/S TOP246Y, LE1X09 ROHS	1	PC	
260	412000225020R	IC TDA7496LK DIP-20(UTC)RoHS	0	PC	
260	412000225280R	IC TDA7496L AMPLIFIER(ST)RoHS W/DC VOLUM	1	PC	U701,
270	430631040080R	WFR. 4P 2.0mm R/A HF5604E RoHS	1	PC	CN701,
280	442299001110R	CON,PHONE JACK R/A,1P,CJ363P00 US0PS4,Ro	1	PC	P701,
290	511130000300R	SOLDER WIRE,Sn96.5/Ag3.0/Cu0.5/Ni0.06/Ge	0.003	G	
300	511130001200R	SOLDER BAR,Sn96.5/Ag3.0/Cu0.5/Ni0.06/Ge0	0.0048	G	
310	790571440600R	PCBA,PWR&INV/B,SMD,LE1718 ROHS	1	PC	
10	411090025040R	SCHTKY SRF1045CM 45V/10A ITO22 OAB(MOSPE	0	PC	
10	411090015020R	SCHTKY SRF5-04CT-LF ITO-220AB (FEC) RoHS	0	PC	
10	411090024040R	SCHTKY SRF1040CM 40V/10A ITO22 OAB(MOSPE	1	PC	D805,
20	411090016020R	SCHTKY SRF8-10CT-LF ITO-220AB (FEC) RoHS	0	PC	
20	411090009040R	SCHTKY SRF10100C 100V/10A(MOSP EC)ITO-22	1	PC	D803,
30	507200003800R	HEATSINK,56x20xt10mm LE1904/05	1	PC	
40	509112306100R	SCREW,P,CROSS,T.T-3*6,Zn	2	PC	
10	419342253670R	C SMD(0805) Y5V 2.2uF/25V Z RoHS	2	PC	C502,C511,
20	419311040060R	C SMD(0603) X7R 0.1uF/50V K RoHS	8	PC	C509,C531,C532,C533,C534,C701,C710,C821,
30	419311020060R	C SMD(0603) X7R 1000PF/50V K RoHS	1	PC	C504,
40	419341053670R	C SMD(0805) Y5V 1uF/25V Z RoHS	3	PC	C505,C528,C708,
50	419314720060R	C SMD(0603) X7R 4700PF/50V K RoHS	5	PC	C506,C711,C712,C713,C714,
60	419312220060R	C SMD(0603) X7R 2200PF/50V K RoHS	1	PC	C507,
70	419311030060R	C SMD(0603) X7R 0.01uF/50V K RoHS	1	PC	C508,
80	419316820070R	C SMD(0805) X7R 6800PF/50V K RoHS	2	PC	C523,C530,
90	419301810560R	C SMD(0603) NPO 180PF/50V J RoHS REV:A	1	PC	C529,
100	419314710070R	C SMD(0805) X7R 470PF/50V K RoHS	2	PC	C535,C536,
110	419316830060R	C SMD (0603) X7R 0.068uF 50V,K RoHS	1	PC	C503,
120	414916604310R	RES SMD (0603) 604KΩ F,RT RoHS	1	PC	R539,
130	414916000050R	RES SMD (0603) 0Ω J,RT RoHS	1	PC	R537,
140	414916010350R	RES SMD (0603) 10KΩ J,RT RoHS	4	PC	R532,R533,R534,R535,
150	414916590010R	RES SMD (0603) 590Ω F,RT RoHS	2	PC	R530,R531,
160	414916330410R	RES SMD (0603) 3.3M F RT RoHS	1	PC	R527,
170	414916180310R	RES SMD (0603) 180KΩ F,RT RoHS	2	PC	R523,R526,
180	414916012250R	RES SMD (0603) 1.2KΩ J,RT RoHS	2	PC	R510,R512,
190	414916010410R	RES SMD (0603) 100K F,RT RoHS	2	PC	R508,R524,
200	414916390110R	RES SMD (0603) 3.9KΩ F,RT RoHS	2	PC	R506,R507,
210	414916010550R	RES SMD (0603) 1MΩ J,RT RoHS REV:A	6	PC	R505,R515,R517,R519,R521,R529,
220	414908360110R	RES SMD (0805) 3.6KΩ F,RT RoHS	2	PC	R502,R504,
230	414916487010R	RES SMD (0603) 487Ω F,RT RoHS	2	PC	R509,R511,
240	414916110310R	RES SMD (0603) 110KΩ F,RT RoHS REV:A	1	PC	R522,
250	414904010050R	RES SMD (1206) 10Ω J,RT RoHS	2	PC	R802,R806,
260	414904100010R	RES SMD (1206) 100Ω F,RT RoHS	1	PC	R809,
270	414908010250R	RES SMD (0805) 1KΩ J,RT RoHS REV:A	5	PC	R813,R814,R815,R708,R709,
280	414908010350R	RES SMD (0805) 10KΩ J,RT RoHS REV:A	3	PC	R808,R819,R827,
290	414908120210R	RES SMD (0805) 12K F RT RoHS REV:A	1	PC	R817,
300	414908020150R	RES SMD (0805) 200Ω J,RT RoHS	1	PC	R829,
310	414908330110R	RES SMD (0805) 3.3KΩ F,RT RoHS REV:A	1	PC	R818,
320	414908033550R	RES SMD(0805) 3.3MΩ J,RT,RoHS	4	PC	R801,R805,R822,R823,
330	414908047450R	RES SMD (0805) 470KΩ J,RT RoHS	1	PC	R825,

340	414908510110R	RES SMD (0805) 5.1KΩ F,RT RoHS	1	PC	R810,
350	414916510210R	RES SMD (0603) 51KΩ F,RT RoHS	1	PC	R811,
360	414908051450R	RES SMD (0805) 510KΩ J,RT RoHS	3	PC	R803,R807,R824,
370	414908068950R	RES SMD (0805) 6.8Ω J RT RoHS	2	PC	R812,R816,
380	414916010150R	RES SMD (0603) 100Ω J,RT RoHS REV:A	2	PC	R703,R704,
390	414916015350R	RES SMD (0603) 15KΩ J,RT RoHS	2	PC	R701,R702,
400	414916047250R	RES SMD (0603) 4.7KΩ J,RT RoHS	2	PC	R705,R706,
410	414916100110R	RES SMD (0603) 1KΩ F,RT RoHS REV:A	1	PC	R707,
420	414916047150R	RES SMD (0603) 470Ω J,RT RoHS REV:A	4	PC	R540,R541,R542,R543,
430	410500050130R	XSTR SN7002N N-CH SOT-23(INFINEON),RoHS	0	PC	
430	410500050210R	XSTR 2N7002,N-CH FET SOT-23 (PHILIPS)RoH	5	PC	Q501,Q502,Q503,Q504,Q505,
440	412000354630R	IC OZ9910GN SOP16 (O2 MICRO) RoHS	1	PC	IC501,
450	411020026020R	DIO BAV99-LF 350mW 70V SOT-23 (FEC)RoHS	0	PC	
450	411020026210R	DIO BAV99 350mW 70V SOT-23(PHI RoHS	8	PC	D501,D502,D503,D504,D505,D506,D507,D508,
460	411020046090R	DIO 1N4148W 75V/0.15A(PEC)RoHS SOD-123	0	PC	
460	411020046310R	DIO 1N4148W-F 75V/0.15A(DIODES RoHS,SOD-	0	PC	
460	411023004021R	DIO SN4148-LF 75V/0.15A SMD 1206 (FEC)Ro	5	PC	D509,D510,D511,D512,D515,
470	410500045130R	XSTR MMBT3904 NPN SOT-23(INFIN EON)RoHS	0	PC	
470	410500045140R	XSTR MMBT3904LT1G NPN 200MA 40V SOT23(ON	0	PC	
470	410500045210R	XSTR PMBT3904 NPN 200MA,40V SOT23(PHILIP	1	PC	Q801,
480	411100991920R	ZENER 9.1V MMSZ5239A SOD123(PE C)RoHS	0	PC	
480	411131591952R	ZENER 9.1V 0.5W DDZ9V1C-F,SOD1 23(DIODES	0	PC	
480	411150391950R	ZENER 9.1V MTZS05-9-1-G SOD-123 (MITSUBI	1	PC	ZD801,
490	411100956920R	ZENER 5.6V MMSZ5232A SOD123(PE C)RoHS	0	PC	
490	411131556920R	ZENER 5.6V 0.5W DDZ5V6B-F,SOD1 23(DIODES	0	PC	
490	411150356950R	ZENER 5.6V MTZS05-5.6-G,SOD-12 3(MMC)RoH	1	PC	ZD803,
500	411131516052R	ZENER 16V 0.5W DDZ16-F,SOD123(DIODES)RoH	0	PC	
500	411150316050R	ZENER 16V MTZS05-16-G SOD-123 (MITSUBISH	0	PC	
500	411100916020R	ZENER 16V MMSZ5246A SOD123(PEC RoHS	1	PC	ZD804,
510	790571410600R	PCBA,PWR&INV/B,AI,LE1718 ROHS	1	PC	
10	790571450600R	PCBA,PWR&INV/B,AI/A, LE1718 ROHS	1	PC	
20	790571460600R	PCBA,PWR&INV/B,AI/R, LE1718 ROHS	1	PC	
10	415020330540R	RES CF 1/4W 33Ω J,AT MINI RoHS	2	PC	R536,R538,
20	414870305540R	RES MG HV 1/2Ws 3MΩ 3KV J,AT RoHS	2	PC	R501,R503,
30	415130680540R	RES CF 1/2W 68Ω J,AT RoHS REV:A	1	PC	R804,
40	415340101540R	RES MOF 1W 100Ω J,AT MINI RoHS	1	PC	R828,
50	411032006020R	DIO FR10-10-LF 1000V/1A AT(FRO NTIER)RoH	0	PC	
50	411020055330R	DIO MUR1100ERL AXIAL LEAD(ON) RoHS	1	PC	D804,
60	411030003040R	DIO FR103 200V/1A DO-41(MOSPEC RoHS	0	PC	
60	411020052020R	DIO A02-LF 200V/1A R1(FEC)RoHS	1	PC	D806,
70	411022020090R	DIO P6KE200A 600W/100A,DO-15(P ANJIT)RoH	0	PC	
70	411022020330R	DIO P6KE200ARL 600W/100A AT(ON RoHS	1	PC	ZD802,
80	411022003020R	DIO 1N4148-LF 75V/0.15A AT (FEC)RoHS	0	PC	
80	411022003210R	DIO 1N4148 75V/0.2A AT (PHIL) RoHS	1	PC	D809,
90	506140005700R	LABEL,BARCODE,BLANK,33x7mm, ROHS,FOR PCB	1	PC	
100	432002200160R	BEAD CORE BF30TA-3.5x9x0.8 AT	1	PC	B801,
110	415030105540R	RES CF 1/2W 1MΩ J,AT MINI RoHS	2	PC	R820,R821,
120	430405000000R	JMPR ROLL/KG D=0.6mm,AT,RoHS 7.5MM	520	mm	J501,J502,J511,J512,J516,J701,J702,J803,J805,J806,
130	430405000000R	JMPR ROLL/KG D=0.6mm,AT,RoHS 10MM	312	mm	J503,J506,J703,J804,J807,J808,
140	430405000000R	JMPR ROLL/KG D=0.6mm,AT,RoHS 12.5MM	364	mm	J505,J507,J508,J509,J510,J514,J515,
150	430405000000R	JMPR ROLL/KG D=0.6mm,AT,RoHS 15MM	156	mm	J513,J801,J802,
160	430405000000R	JMPR ROLL/KG D=0.6mm,AT,RoHS 20MM	52	mm	J504,
170	490571400100R	PCB,PWR&INV./B, LE1718-XE0 ROHS	1	PC	
10	420424710260R	CAP SD 470uF/25V M 105°C ST 10x16,RoHS	3	PC	C522,C702,C810,
20	418210227030R	CAP CD X7R 1000pF 500V K VT RoHS	2	PC	C802,C811,
30	418310413630R	CAP CD Y5V 0.1uF 50V Z,VT RoHS	2	PC	C817,C822,
40	416231041530R	CAP MEB 0.1uF 100V J,(RSB),VT RSBEC3100D	1	PC	C816,
50	418147038530R	CAP CD NPO 47pF 1KV J,VT RoHS	1	PC	C813,
60	420264700230R	CAP SH 47uF 25V M,125°C,VT, 6.3x11,RoHS	4	PC	C814,C815,C818,C819,
70	410072013150R	XSTR UTC2SC1815L-GR NPN TO92 (UTC)RoHS	0	PC	
70	410072013210R	XSTR 2PC1815GR*1 VT (PHILIPS) RoHS REV:	0	PC	
70	410072013370R	XSTR 2SC1815-GR (T2SPF.T) VT (TOSHIBA)Ro	1	PC	Q802,
80	412022002240R	IC KA431AZ 1%,VT (FAIRCHILD) RoHS	0	PC	
80	412022002300R	IC AP431VL TO-92 1% VT (ATC) RoHS	0	PC	
80	412022002840R	IC TLV431ALP TO-92 1%,VT (ON) RoHS	1	PC	IC803,
90	420434710431R	CAP EC 470uF 16V M,105°C VT 8x12,RoHS	3	PC	C704,C705,C709,

PCBA IF

Item	Component	Rev	Component Description	Quantity	Un	Installation Point
10	79057132060 1R		PCBA,IF BOARD(EMEA),OTHRs,LE1718-6E0	1	PC	
20	79057134060 1R		PCBA,IF BOARD(EMEA),SMD,LE1718 -6	1	PC	
30	62903000530 1R		PROGRAM(EMEA),LE1718-6E0 ROHS	1	PC	
10	43063108007 OR	A	WFR 2.0mm 8P 180°4500-08 RoHS	1	PC	CN101,
20	44081901503 OR	A	CON,D-SUB,FEM.15P RA W/O SCREW DZ11AA1-H	1	PC	CN103,
30	43063108013 A		WAFER 2x4P 2.0mm,200PHD-2*4ST RoHS	1	PC	CN105,

40	OR 42043101046 1R	A	CAP EC 100uF 16V M,105°C ST 5x11(SK) RoH	3	PC	C101,C102,C108,
50	OR 42043220046	A	CAP EC 22uF 16V M,105°C ST, 5x11,RoHS	5	PC	C130,C133,C142,C145,C105,
60	OR 42043100026	A	CAP EC 10uF 25V M,105°C ST 5x11 RoHS	2	PC	C111,C144,
70	OR 43200801027	A	XTAL 14.31818MHz HC-49US DIP 16pF 30PPM	1	PC	X101,
10	OR 41050004427	A	XSTR AO3401L P-CH(ALPHA-OMEGA) SOT23 RoH	0	PC	
10	OR 41050006829	A	XSTR AP2305GN P-CH SOT23(APEC) RoHS	1	PC	Q101,
20	OR 41050004513	A	XSTR MMBT3904 NPN SOT-23(INFIN EON)RoHS	0	PC	
20	OR 41050004514	A	XSTR MMBT3904LT1G NPN 200MA 40V SOT23(ON	0	PC	
20	OR 41050004521	A	XSTR PMBT3904 NPN 200MA,40V SOT23(PHILIP	3	PC	Q106,Q103,Q111,
30	OR 41050004618	A	XSTR MMBT3906LT1G PNP 200mA 40V SOT23(ON	0	PC	
30	OR 41050004613	A	XSTR MMBT3906 PNP SOT-23(INFIN EON)RoHS	0	PC	
30	OR 41050004621	A	XSTR PMBT3906 PNP 200MA,40V SOT23(PHILIP	2	PC	Q102,Q105,
40	OR 41050005013	A	XSTR SN7002N N-CH SOT-23(INFINEON),RoHS	0	PC	
40	OR 41050005021	A	XSTR 2N7002,N-CH FET SOT-23 (PHILIPS)RoH	1	PC	Q110,
50	OR 41102002602	A	DIO BAV99-LF 350mW 70V SOT-23 (FEC)RoHS	0	PC	
50	OR 41102002639	A	DIO BAV99,SOT-23(INFINEON)RoHS	0	PC	
50	OR 41102002621	A	DIO BAV99 350mW 70V SOT-23(PHI RoHS	4	PC	TVS101,TVS102,TVS103,TVS104,
60	OR 41102004702	A	DIO BAV70-LF 70V SOT23 (FEC) RoHS	0	PC	
60	OR 41102004721	A	DIO BAV70 85V SOT23 (PHILIPS) RoHS	1	PC	D103,
70	OR 41109000531 1R	A	SCHTKY B240A 40V/2A SMA(DIODES RoHS	0	PC	
70	OR 41109002041	A	SCHTKY SKS20-04AT-G 40V/2A THIN SMA (MMC	1	PC	D101,
80	OR 41110115695	A	ZENER BZV55-C5V6 SOD80C(PHILIP S) RoHS	0	PC	
80	OR 41115035695	A	ZENER 5.6V MTZS05-5.6-G,SOD-12 3(MMC)RoH	0	PC	
80	OR 41110065695 1R	A	ZENER 5.6V ZMM5232B-LF DO213AA (FRONTIER	5	PC	ZD101,ZD105,ZD106,ZD107,ZD108,
90	OR 41200037202	A	IC LD1117AL-3.3V-A SOT-223(UTC RoHS	0	PC	
90	OR 41200037283	A	IC AS1117L-3.3TR-LF,SOT223(A1S EMD)RoHS	1	PC	U101,
100	OR 41200033002	A	IC LD1117AL-1.8V-A SOT223(UTC) RoHS	0	PC	
100	OR 41200033083	A	IC AS1117L-1.8/TR-LF,SOT223(A1 SEMI)RoHS	1	PC	U102,
110	OR 41200036199	A	IC CAT24WC02W-TE13 SOIC-8 RoHS (CATALYST	0	PC	
110	OR 41200001028	A	IC M24C02-WMN6TP SO8 2K (ST) RoHS	0	PC	
110	OR 41200043548	A	IC AT24C02BN-10SU-1.8 SOIC8 2K (ATMEL)Ro	1	PC	U103,
120	OR 41200043619	A	IC TSUM16AL-LF PQFP100(MSTAR)R oHS	1	PC	U105,
130	OR 41200035831	A	IC PM25LV010-25SCE SOIC8(PMC) RoHS	1	PC	U106,
140	OR 41200027928	A	IC M24C04-WMN6TP4K SOP8 (ST) RoHS	0	PC	
140	OR 41200027999	A	IC CAT24WC04W-TE13 (CATALYST) RoHS	0	PC	
140	OR 41200027948	A	IC AT24C04N-10SU-2.7 SOP8 4K(A TMEL)RoHS	1	PC	U108,
150	OR 41491600005	A	RES SMD (0603) 0Ω J,RT RoHS	3	PC	R112,R115,R118,
160	OR 41491675091	A	RES SMD (0603) 75Ω F,RT RoHS REV:A	3	PC	R133,R134,R135,
170	OR 41491601015	A	RES SMD (0603) 100Ω J,RT RoHS REV:A	22	PC	R113,R116,R119,R130,R129,R114,R117,R120,R124,R125,R127,R131,R132,R162,R163,R167,R168,R166,R17 8,R179,R188,R189,
180	OR 41491639001	A	RES SMD (0603) 390Ω F,RT RoHS	3	PC	R101,R107,R169,
190	OR 41491604715	A	RES SMD (0603) 470Ω J,RT RoHS REV:A	1	PC	R121,
200	OR 41491602225	A	RES SMD (0603) 2.2KΩ J,RT RoHS	2	PC	R136,R137,

210	OR 41491604725 OR	A	RES SMD (0603) 4.7KΩ J,RT RoHS	22	PC	R108,R110,R122,R140,R141,R143,R145,R147,R149,R150,R154,R155,R156,R173,R174,R175,R177,R180,R181,R182,R183,R185,
220	41491601035 OR	A	RES SMD (0603) 10KΩ J,RT RoHS	4	PC	R106,R142,R144,R172,
230	41491602035 OR	A	RES SMD (0603) 20KΩ J,RT RoHS REV:A	1	PC	R105,
240	41491601045 OR	A	RES SMD (0603) 100KΩ J,RT REV:A RoHS	1	PC	R102,
250	41575472508 OR	A	RP(0612)4.7KΩx4 1/16W J 8P4R RoHS REV:A	1	PC	RP102,
260	41491600005 OR	A	RES SMD (0603) 0Ω J,RT RoHS	2	PC	R170,R171,
270	41491605105 OR	A	RES SMD (0603) 51Ω J,RT,RoHS REV:A	1	PC	R195,
280	41491601025 OR	A	RES SMD (0603) 1KΩ J,RT RoHS REV:A	5	PC	R157,R158,R159,R160,R161,
290	41930101056 OR	A	C SMD(0603) NPO 100PF/50V J RoHS	7	PC	C158,C159,C160,C161,C162,C163,C164,
300	41930220056 OR	A	C SMD(0603) NPO 22PF/50V J RoHS	2	PC	C153,C154,
310	41930330056 OR	A	C SMD(0603) NPO 33PF/50V J RoHS	1	PC	C125,
320	41930221056 OR	A	C SMD(0603) NPO 220PF/50V J RoHS	1	PC	C126,
330	41931473006 OR	A	C SMD (0603) X7R 0.047uF 50V,K RoHS	7	PC	C112,C113,C114,C115,C116,C117,C118,
340	41931104006 OR	A	C SMD(0603) X7R 0.1uF/50V K RoHS	22	PC	C103,C104,C106,C107,C109,C129,C156,C131,C132,C134,C135,C136,C137,C139,C141,C143,C147,C148,C149,C150,C151,C152,
350	41934105467 OR	A	C SMD(0805) Y5V 1uF/16V Z RoHS REV:A	2	PC	C140,C181,
360	43200236001 2R	A	BEAD CORE SMD(0805)60Ω 800mA GBK201209T	4	PC	FB102,FB103,FB105,FB106,
370	43200231211 1R	A	BEAD CORE SMD(0805)120Ω 300mA RoHS	1	PC	FB101,
380	44409903003 OR	A	CON, SMD 1.0mm 30PIN RoHS AL2309-A0G1Z	1	PC	CN104,
390	49057130010 OR		PCB,INTERFACE, LE1718-XE0 ROHS	1	PC	

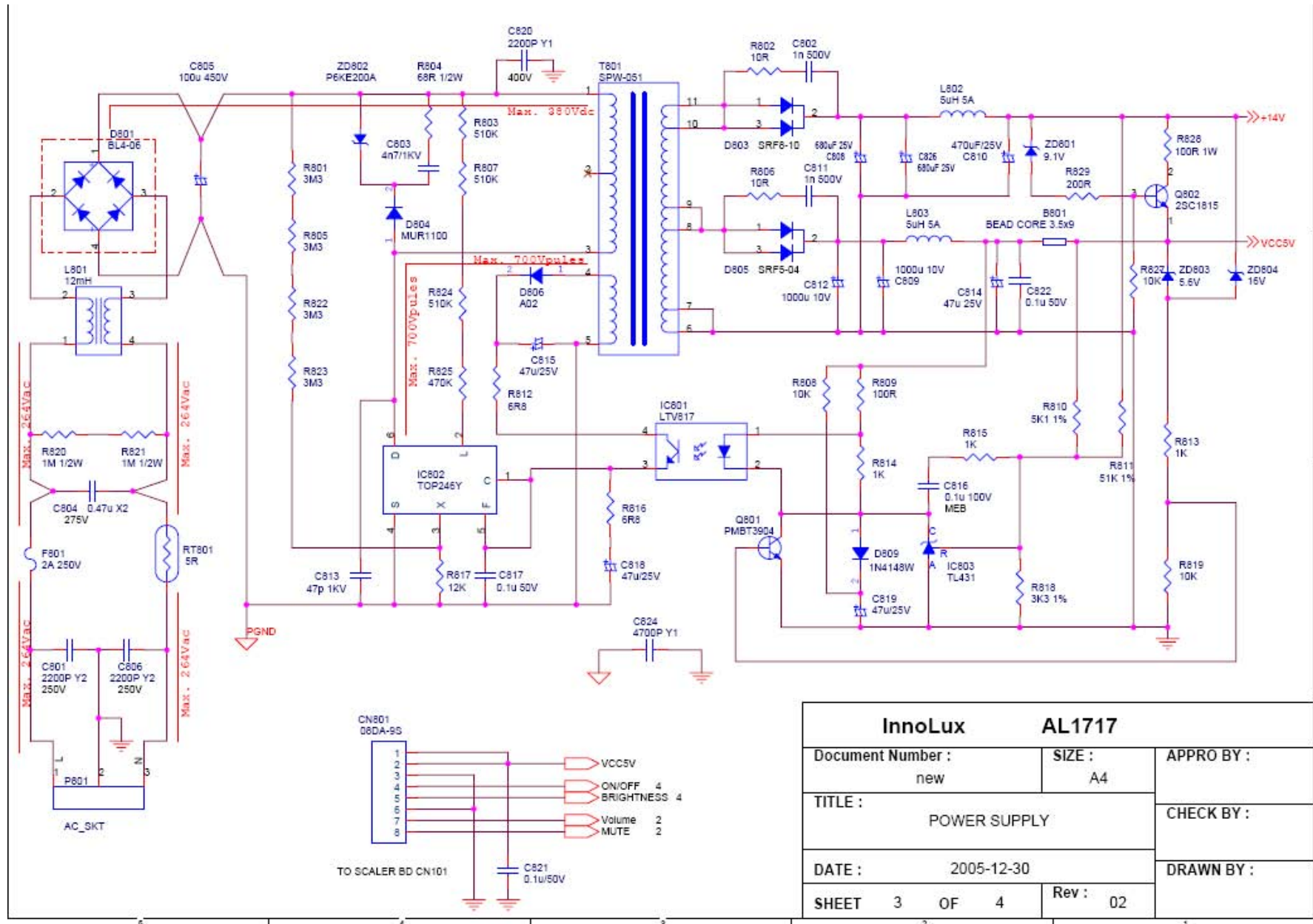
PCBA KEY PAD

Item	Component	Component Description	Quantity	Un	Installation Point
1	411070054990R	LED G/Y § 3x5mm L-115VCGKSYKW-L 5.33-SZ(K	0	PC	
1	411070053990R	LED G/Y § 3x5mm 1259-7SYGUYW/S5 30-A3/F14	1	PC	LED101,
2	430602980120R	SW TACT 160gf 1P,H=4.3mm,DIP SFKHHAL2420	5	PC	SW101,SW102,SW103,SW104,SW105,
3	430631080030R	WFR 2.0mm 8P R/A HF5608E RoHS	1	PC	CN107,
4	490571500100R	PCB,KEY PAD, LE1718	1	PC	

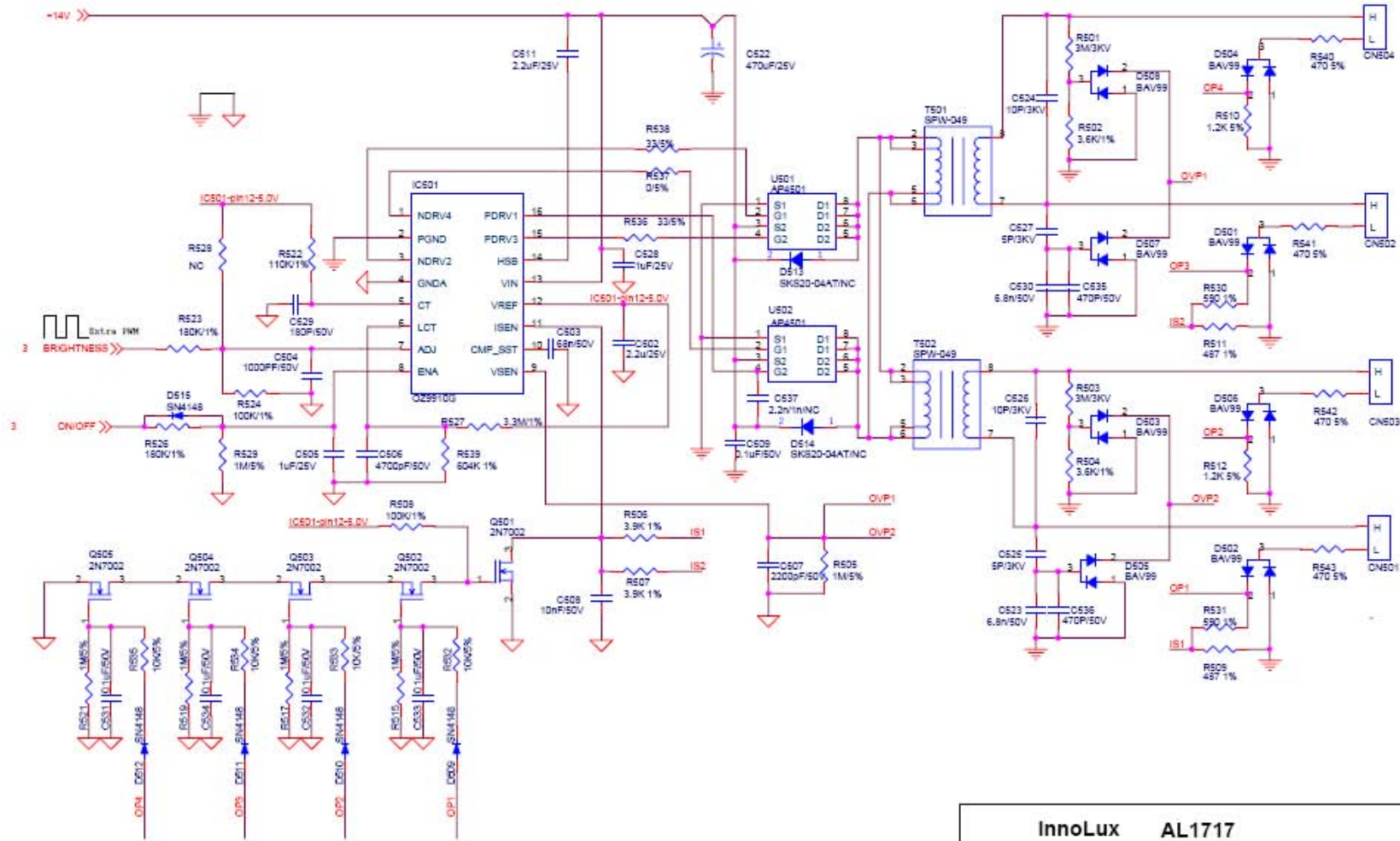
Lev	Phant.item	Item	Component no.	RevLev	Object description	Quantity	Un
.1		0010	506431000300R	A	FILM,PE 500mmx900M ROHS	0.190	ROL
.1		0020	506380001000R	A	TAPE,WRAPPING TYPE,ACER LOGO 50000x72mm,	1.560	ROL
.1		0030	506040007200R	A	CUSHION,EPS-L, LE1718 ROHS	100	PC
.1		0040	506040007210R	A	CUSHION,EPS-R, LE1718 ROHS	100	PC
.1		0050	506020009100R	A	CARTON,ACER, LE1718	100	PC
.1		0060	506150004900R	A	PALLET,L1060xW1060xH120mm,LE1922	1.250	PC
.1		0070	506431001200R	A	FILM,PE 1335x1120xT0.1mm	1.250	PC
.1		0080	506039004800R	A	CORNER PAPER,1770x50x50xT5mm,LE1909 ROHS	5	PC
.1		0090	506039005000R	A	CORNER PAPER,870x50x50xT5mm,ROHS LE1918	5	PC
.1		0100	506120000200R	B	BAG,PE AS 480x590xT0.05(PRINTED),ROHS LE	100	PC
.1		0110	506120002510R	A	BAG,PLASTIC,W220xL280xT0.05mm,CYCLE PRIN	100	PC
.1	x	0120	714075160110R	A	ASSY,FINAL(S,V4/G3),W/SPK,LE1718-6E0(EME	100	PC
..2		0010	618100101100R	A	SPEAKER 1.5W 16Ω 250mm,R/B,W/CASE,X3516	100	PC
..2	x	0020	714085160110R	A	ASSY,PANEL(V4/G3),W/SPK,LE1718-6E0(EMEA/	100	PC
...3		0010	430303000360R	A	HRN LVDS FFC 30P 214mm,RoHS,ACCP30214KU2	100	PC
...3		0020	790571300601R	2A	PCBA,IF/BOARD(EMEA),LE1718-6E0 ROHS	100	PC
...3		0030	790571400600R	2A	PCBA,PWR&INV/B, LE1718 ROHS	100	PC

...3	0040	79057150000R	2A	PCBA,KEYPAD BOARD, LE1718 ROHS	100	PC
...3	0050	631102071170R	A	LCD PANEL 17" MT170EN01-V4-G3,AM17000054	100	PC
...3	0060	509146306100R	A	SCREW,P,CROSS W/WAS,M3*6,Zn ROHS	500	PC
...3	0070	509000000700R	A	BOLT,#4-40x11.8,Ni FOR D-SUB/DVI CONN.RO	200	PC
...3	0080	509146305300R	A	SCREW,PW,CROSS,W/WAS,M3*5,NI	400	PC
...3	0090	509112308100R	A	SCREW,P,CROSS,T.T-3*8,Zn ROHS REV:A	200	PC
...3	0100	502090302710R	A	CHASSIS,W/O DVI, LE1718 ROHS	100	PC
...3	0110	505040202800R	A	INSULATOR,MYLAR,L150xW72xTO.4mm, LE1718	100	PC
...3	0120	509116606510R	A	SCREW,P,CROSS,M4*6,BLACK,NL ROHS (NYLOK)	400	PC
...3	0130	430300800380R	B	HRN ASS'Y 8P 160mm UL2651#28,RoHS	100	PC
...3	0140	505040503000R	A	INSULATOR,PP,15x9x6.5X0.3mm,GLUE(3M), LE	100	PC
...3	0150	505040503100R	A	INSULATOR,PP,22x20x12X0.3mm,GLUE(3M), LE	200	PC
..2	0030	714010004900R	A	ASSY,STAND, LE1718 ROHS	100	PC
...3	0010	501260200500R	A	STAND, LE1710	100	PC
...3	0020	502060001700R	A	HINGE, LE1718 ROHS	100	PC
...3	0030	509446620101R	A	SCREW,B,CROSS,W/W-SPR,M4*20,Zn ROHS	300	PC
...3	0040	502020101600R	A	BRACKET,FINGER, LE1710 ROHS	100	PC
..2	0040	501020206800R	A	COVER,HINGE, LE1718 ROHS	100	PC
..2	0050	714020004900R	A	ASSY,BASE, LE1718 ROHS	100	PC
...3	0010	501240202800R	A	BASE, LE1718	100	PC
...3	0020	502170101300R	A	PLATE,BASE, LE1718 ROHS	100	PC
...3	0030	503020002700R	A	RUBBER,FOOT,L14.8*W9.6*T3.5mm,ROHS LE171	400	PC
...3	0040	503060004000R	A	GASKET,EMI,W11xH8xL15mm(TWO-SIDED ADHESI	100	PC
...3	0050	509112606100R	A	SCREW,P,CROSS,T.T-4*6,Zn	100	PC
..2	0060	714030004900R	A	ASSY,BEZEL, LE1718 ROHS	100	PC
...3	0010	501010204900R	A	BEZEL,FRONT, LE1718 ROHS	100	PC
...3	0020	501030202600R	A	BUTTON,POWER KEY, LE1918 ROHS	100	PC
...3	0030	501030202500R	A	BUTTON,FUNCTION KEY, LE1918 ROHS	100	PC
...3	0040	501120102000R	A	LENS, LE1918 ROHS	100	PC
..2	0070	501020206710R	A	COVER,BACK,W/O DVI, LE1718 ROHS	100	PC
.1	0130	453070800210R	A	PWR CORD 16A/250V BLK 6FT VDE,H05VV-F 3G	100	PC
.1	0140	453010100150R	A	CABLE,D-SUB 15P MALE 6FT BLACK,SZ4120955	100	PC
.1	0150	453030300120R	A	CABLE,AUDIO 1P 6FT BLACK/GREEN CP03B06P0	100	PC
.1	0160	506038002900R	A	CARDBOARD,L1050xW1050xT7mm, LE1922	1.250	PC
.1	0170	506431001000R	B	FILM,PROTECTION,PRINTED(E),LE1701	100	PC

Attachment 2- Schematic



InnoLux		AL1717	
Document Number :	new	SIZE :	A4
TITLE :		POWER SUPPLY	
DATE :	2005-12-30	APPRO BY :	
SHEET	3 OF 4	CHECK BY :	
		DRAWN BY :	
		Rev :	02



InnoLux AL1717		
Document Number : new	SIZE : Custom	APPRO BY :
TITLE : Inverter DVT		CHECK BY :
DATE : 2008-01-05	DRAWN BY :	
SHEET 4 OF 4	Rev : 1A	

Project Name	AL1717 VGA LCD Monitor (LE1718-6E0)
---------------------	-------------------------------------

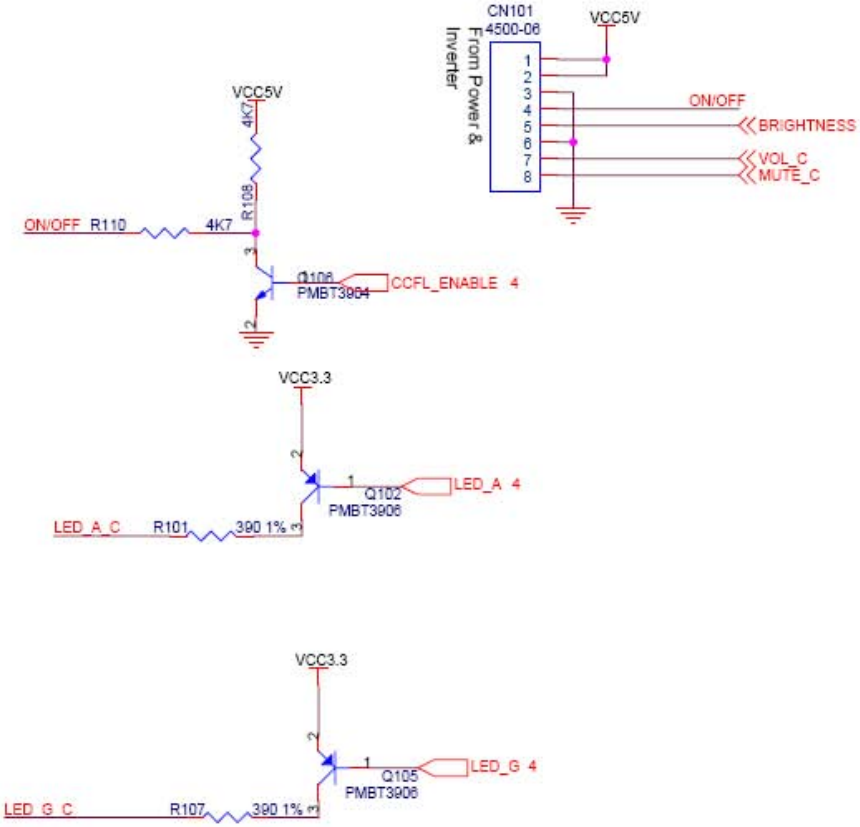
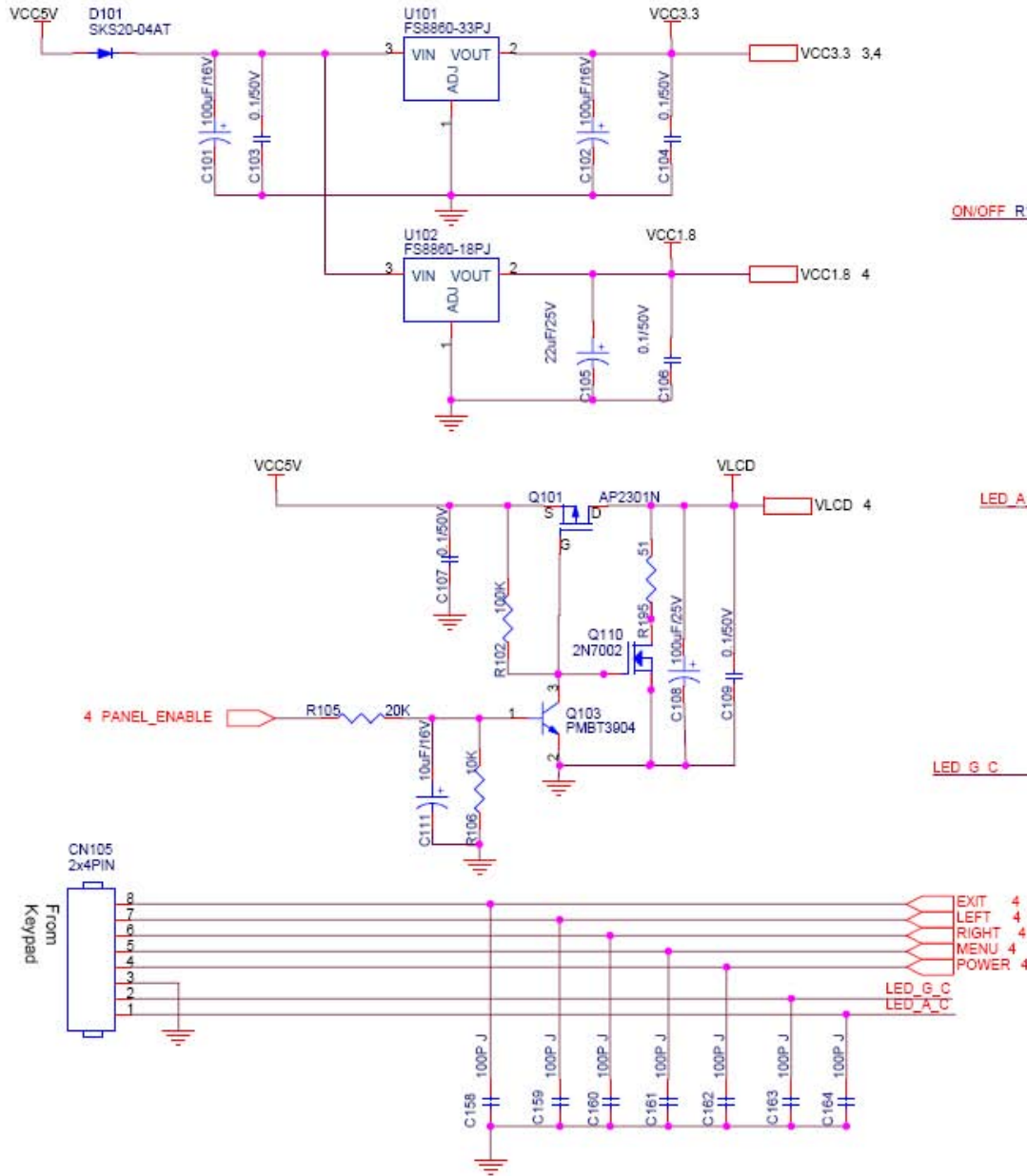
REVISION HISTORY

Date	Author	Version	Comments	Remark
2006-03-03	kidd zhang	V01	First edition	

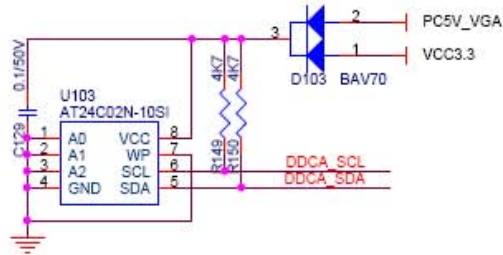
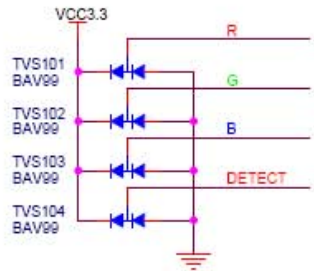
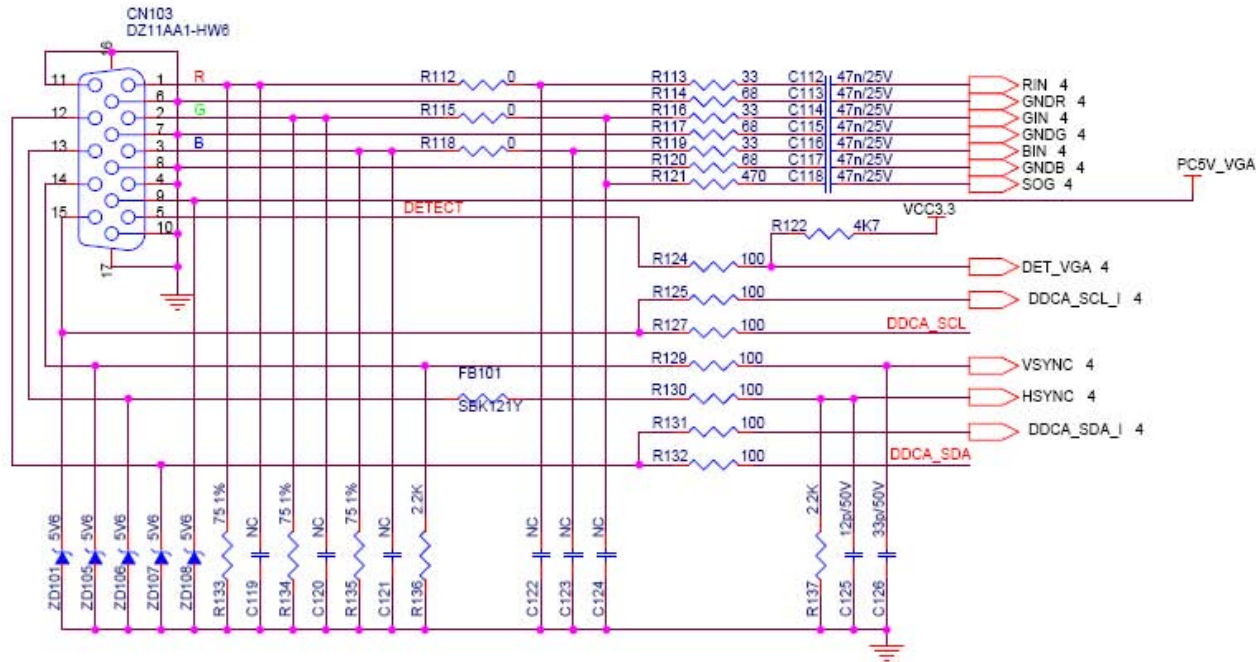
APPROVED TO RELEASE



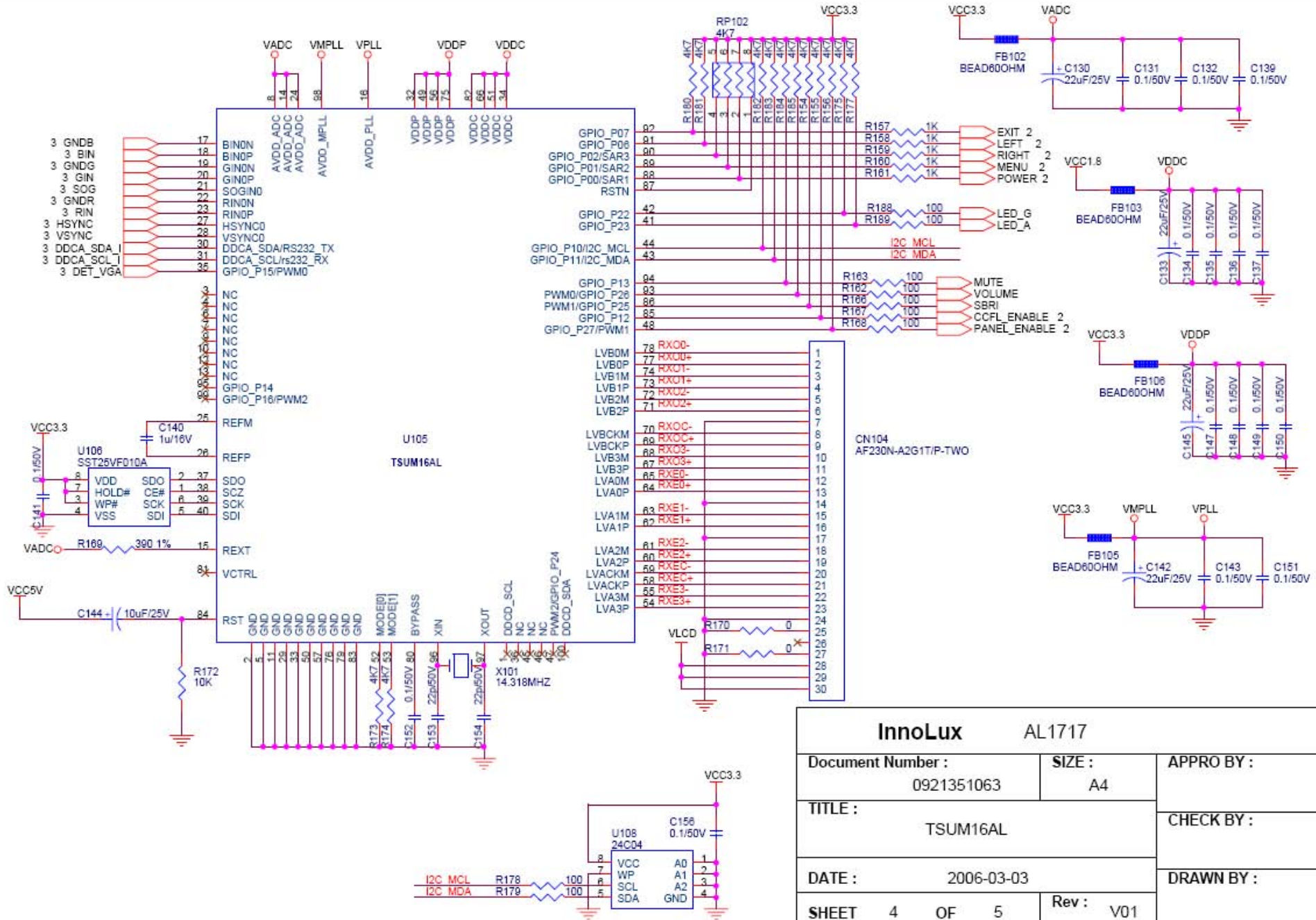
InnoLux AL1717		
Document Number : 0921351063	SIZE : A4	APPRO BY :
TITLE : History		CHECK BY :
DATE : 2006-03-03		DRAWN BY :
SHEET 1 OF 5	Rev : V01	



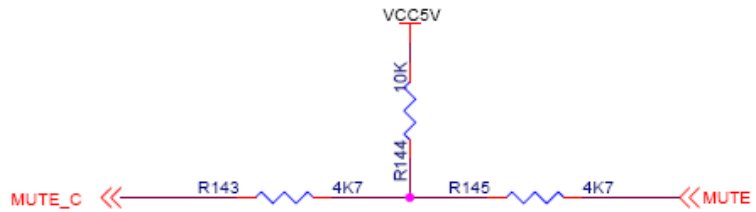
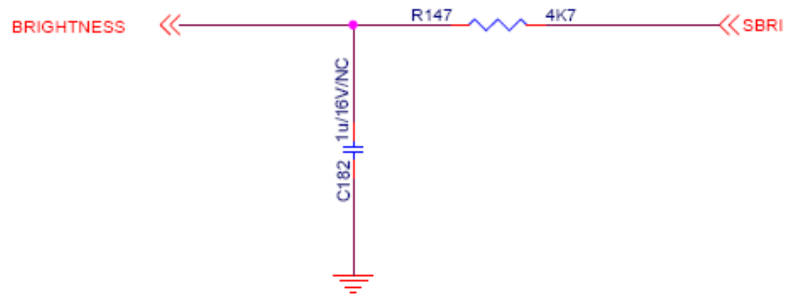
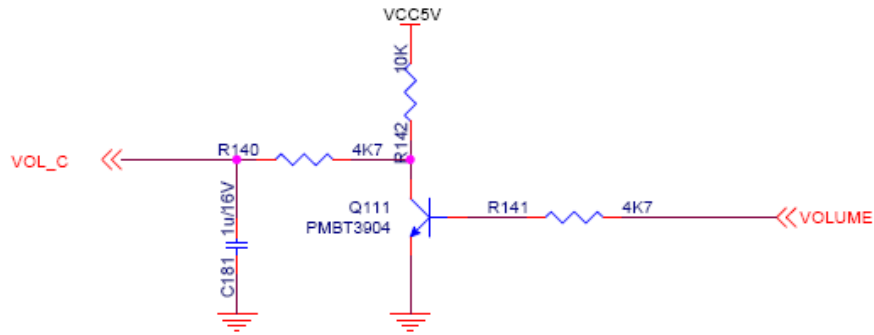
InnoLux		AL1717	
Document Number :	0921351063	SIZE :	A4
TITLE :		DC to DC	
DATE :	2006-03-03	DRAWN BY :	
SHEET	2 OF 5	Rev :	V01
APPRO BY :		CHECK BY :	



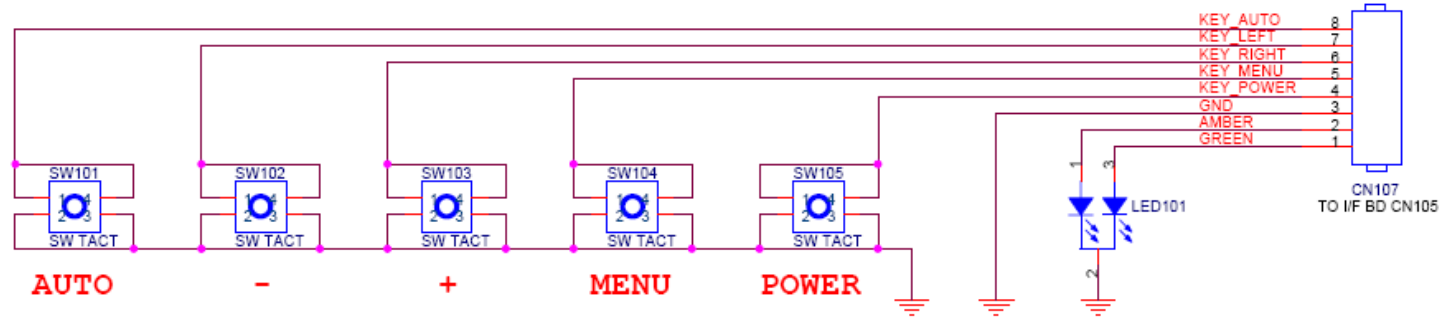
InnoLux		AL1717	
Document Number :	0921351063	SIZE :	A4
TITLE :		INPUT	
DATE :	2006-03-03	DRAWN BY :	
SHEET	3 OF 5	Rev :	V01
		APPRO BY :	
		CHECK BY :	



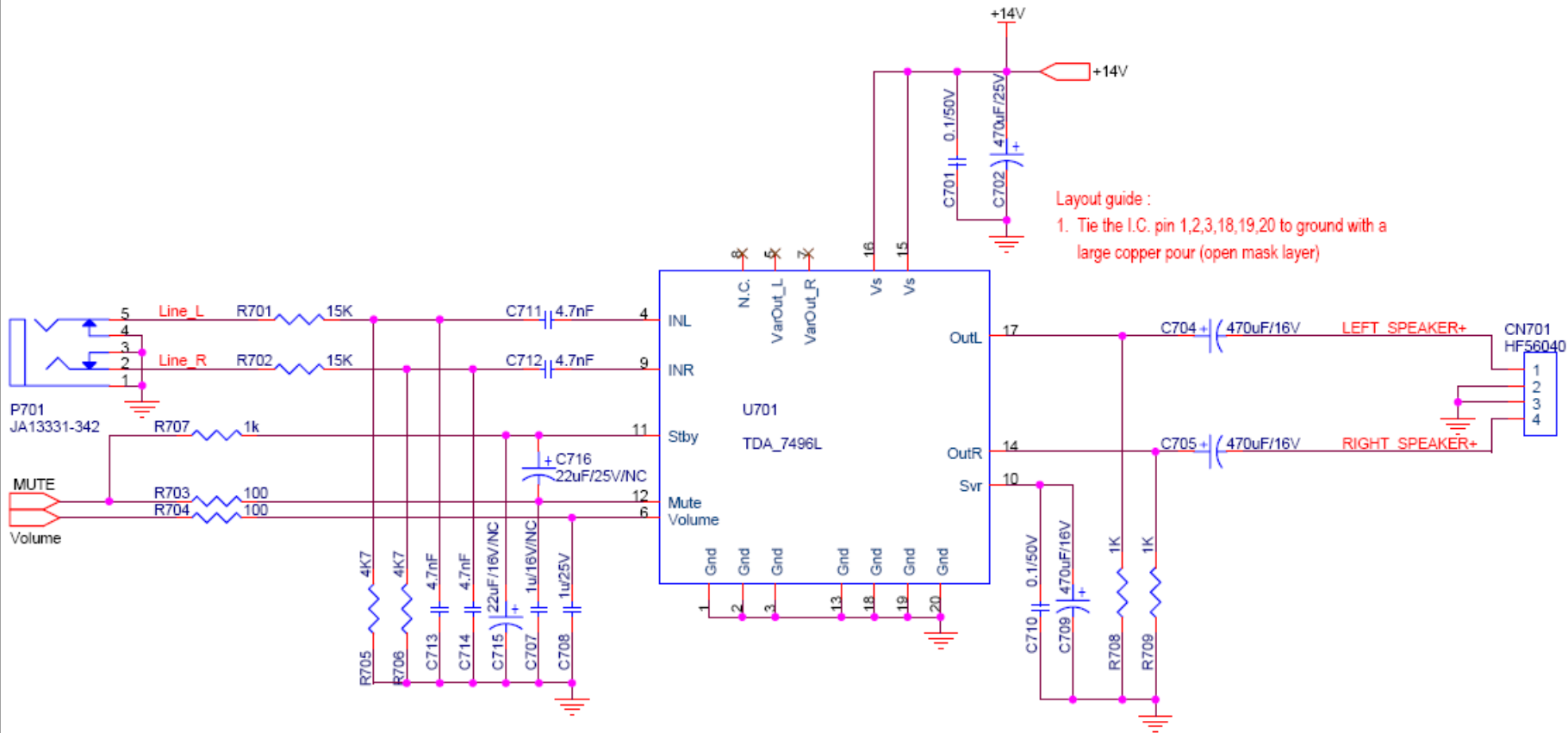
InnoLux AL1717		
Document Number : 0921351063	SIZE : A4	APPRO BY :
TITLE : TSUM16AL		CHECK BY :
DATE : 2006-03-03		DRAWN BY :
SHEET 4 OF 5	Rev : V01	



InnoLux		AL1717	
Document Number : 0921351063		SIZE : A	APPRO BY :
TITLE : VOLUME and MUTE			CHECK BY :
DATE : 2006-03-03		DRAWN BY :	
SHEET 5	OF 5	Rev : V01	



InnoLux AL1717		
Document Number : 0921351064	SIZE : A4	APPRO BY :
TITLE : keyboard		CHECK BY :
DATE : 2006-03-03		DRAWN BY :
SHEET 1 OF 2	Rev : V01	



Layout guide :
 1. Tie the I.C. pin 1,2,3,18,19,20 to ground with a large copper pour (open mask layer)

InnoLux		AL1717	
Document Number :	0921351064	SIZE :	A
TITLE :	Audio	APPRO BY :	
DATE :	2006-03-04	CHECK BY :	
SHEET	2 OF 2	DRAWN BY :	
		Rev :	1A