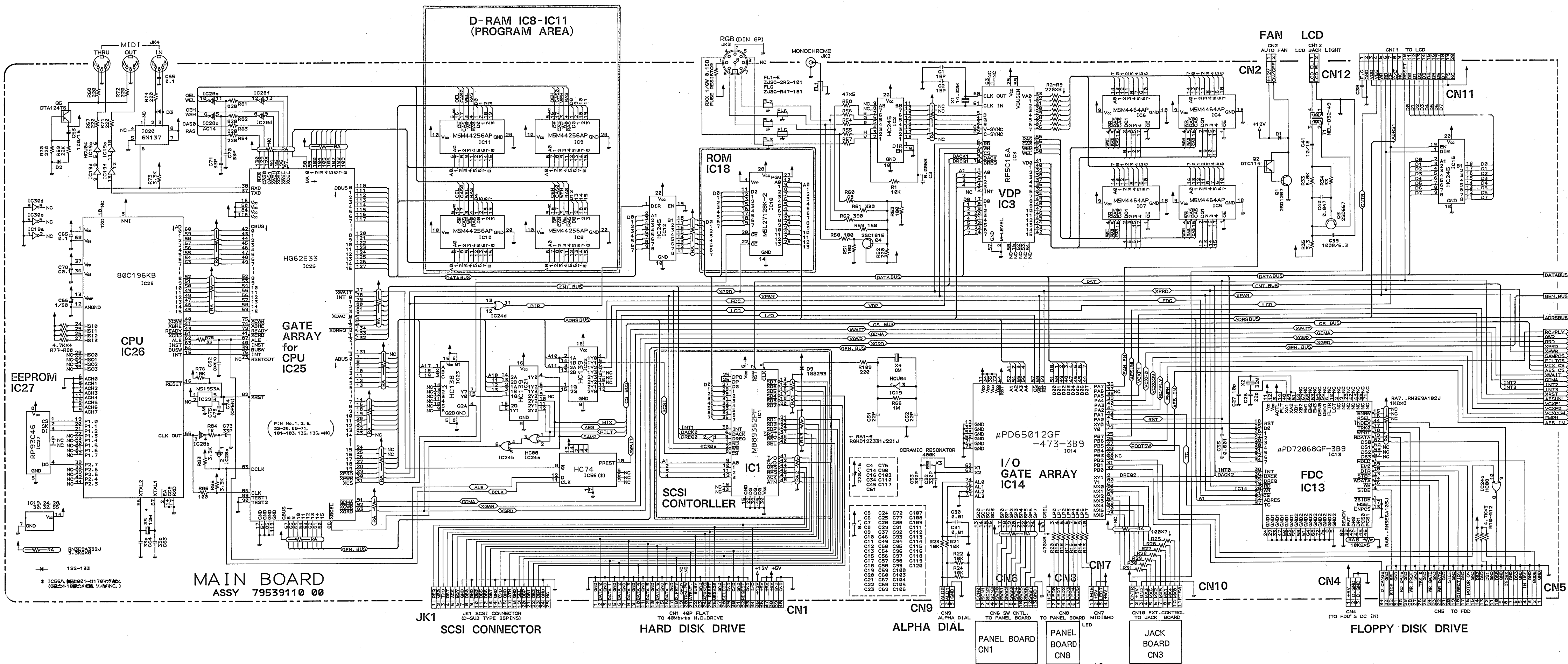


1 2 3 4 5 6 7 8 9 10 11 12 13 14 15 16 17 18 19 20 21 22 23 24 25 26 27 28 29 30 31 32 33 34 35 36 37 38 39 40 41 42 43 44 45 46 47 48 49 50 51 52 53 54 55 56 57 58

E MAIN BOARD



MAIN BOARD ASSY 79539110 00

JK1 SCSI CONNECTOR (D-SUB TYPE 25PINS)

CN1 40P FLAT TO 40byte H.D.DRIVE

CN9 ALPHA DIAL

CN10 EXT. CONTROL TO JACK BOARD

CN4 (TO FDD'S DC IN)

CN5 TO FDD

CN6 SW CNTL. TO PANEL BOARD

CN8 TO PANEL BOARD

CN7 MIDI&H LED

CN11 TO LCD

CN12 LCD BACK LIGHT

CN2 FAN AUTO FAN

CN12 LCD

CN11 TO LCD

CN10 EXT. CONTROL TO JACK BOARD

CN4 (TO FDD'S DC IN)

CN5 TO FDD

CN6 SW CNTL. TO PANEL BOARD

CN8 TO PANEL BOARD

CN7 MIDI&H LED

CN11 TO LCD

CN12 LCD BACK LIGHT

CN2 FAN AUTO FAN

CN12 LCD

CN11 TO LCD