

DATE: _____

MESSRS. : _____

AGENT: _____

SPECIFICATION
OF
PYROELECTRIC PASSIVE
INFRARED SENSOR

MODEL NO. RE46B

PART NO. _____

PYROELECTRIC PASSIVE INFRARED SENSOR MODEL NO. RE46B	PAGE 1 / 6	DRAWING NO.	REV : A
	© NIPPON CERAMIC CO., LTD.		
APPROVED BY	CHECKED BY	DRAWN BY	

SCOPE

THIS SPECIFICATION DESCRIBES A PYROELECTRIC PASSIVE INFRARED SENSOR SUPPLIED BY NIPPON CERAMIC CO., LTD.

TYPE OF SENSOR

BALANCED DIFFERENTIAL (SERIES OPPOSED TYPE.)

PHYSICAL CONFIGURATION

- 1) PACKAGE : TO-5 METAL CAN WITH DIMENSIONS SHOWN IN FIGURE 1-C (NICKEL-PLATED)
- 2) ELEMENT GEOMETRY : FOUR SENSITIVE AREAS 1.0 mm × 1.0 mm AND SPACED 1.0 mm APART.
- 3) ELEMENT ORIENTATION : SEE FIGURE 1-B
- 4) LEAD CONFIGURATION : SEE FIGURE 1-C, 1-D

ELECTRICAL CHARACTERISTICS (AT 25 ± 5 °C)

- 1) CIRCUIT CONFIGURATION : THREE-TERMINAL SENSOR WITH SOURCE FOLLOWER
SEE FIGURE 2
- 2) OPERATING VOLTAGE : 3 ~ 10 V DC (Rs: 47KΩ)
- 3) ELEMENT POLARITY : ELEMENT A, C: (+) B, D: (-) OR A, C: (-) B, D: (+)
- 4) SOURCE VOLTAGE : 0.35 ~ 1.4 V (VD: 5V, Rs: 47KΩ)
- 5) SIGNAL OUTPUT : MIN. 4.0 Vp-p (TYP. 5.5 Vp-p)
(S1, S2)
SIGNAL OUTPUT IS MEASURED AT CHOPPER FREQUENCY OF 1 Hz WHEN CONNECTED TO THE AMPLIFIER OF GAIN 72.5 dB (AT 1 Hz) AND SUBMITTED TO THE EMISSION OF INFRARED ENERGY OF 13 μW/cm² FROM 420 K BLACK BODY.
SEE FIGURE 3
- 6) NOISE OUTPUT : MAX. 200 mVp-p (TYP. 110 mVp-p)

NOISE OUTPUT SHALL BE MEASURED FOR 20 SECONDS WHEN CONNECTED TO THE AMPLIFIER OF GAIN 72.5 dB AND SHUT OUT FROM INFRARED ENERGY.
SEE FIGURE 3

MODEL NO. : RE46B	PAGE	DRAWING NO.	REV :
	2 / 6		A
PART NO. :	NIPPON CERAMIC CO., LTD.		

7) BALANCE OUTPUT : MAX. 15 %

$$\left[\frac{|S1-S2|}{|S1+S2|} \right] \leq 0.15$$

S1 : SIGNAL OUTPUT ON ELEMENT A + C

S2 : SIGNAL OUTPUT ON ELEMENT B + D

BALANCE OUTPUT IS MEASURED AT CHOPPER FREQUENCY OF 1 Hz WHEN CONNECTED TO THE AMPLIFIER OF GAIN 72.5 dB (AT 1 Hz) AND SUBMITTED TO THE EMISSION OF INFRARED ENERGY OF $13 \mu\text{W}/\text{cm}^2$ FROM 420 K BLACK BODY.

SEE FIGURE 3

8) FREQUENCY RESPONSE : 0.3 Hz TO 3.0 Hz / ± 10 dB

OPTICAL CHARACTERISTICS

1) FIELD OF VIEW : 132° FROM CENTER OF ELEMENT ON AXIS X, Y
: 146° FROM CENTER OF ELEMENT ON 45°
: SEE FIGURE 1-A

2) FILTER SUBSTRATE : SILICON

3) CUT ON (5 %T ABS) : $5.0 \pm 0.5 \mu\text{m}$

4) TRANSMISSION : ≥ 70 % AVERAGE $7 \sim 14 \mu\text{m}$

ENVIRONMENTAL REQUIREMENTS

1) OPERATING TEMPERATURE : -30°C TO $+70^\circ\text{C}$

2) STORAGE TEMPERATURE : -40°C TO $+80^\circ\text{C}$

3) RELATIVE HUMIDITY :
THE SENSOR SHALL OPERATE WITHOUT INCREASE IN NOISE OUTPUT WHEN EXPOSED TO $90 \sim 95$ % RH AT 30°C CONTINUOUSLY.

4) HERMETIC SEAL :
THE SENSOR SHALL BE SEALED TO WITHSTAND A VACUUM OF 21.28 kPa.

MODEL NO. : RE46B

PAGE
3 / 6

DRAWING NO.

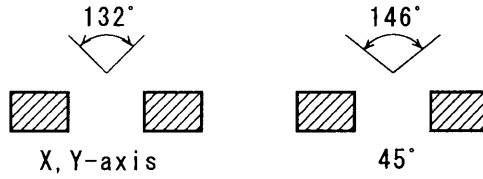
REV :
A

PART NO. :

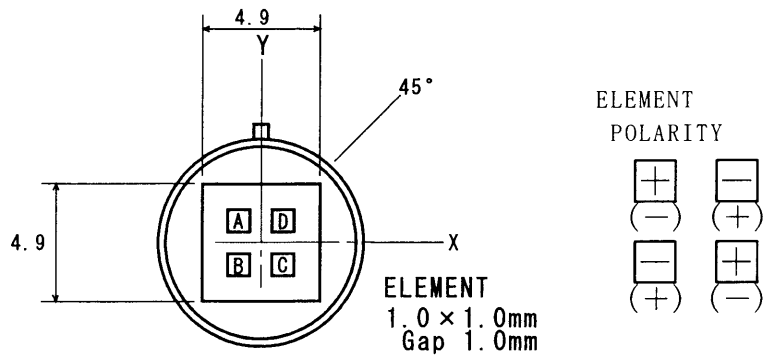
☉ NIPPON CERAMIC CO., LTD.

CONFIGURATION (FIGURE 1)

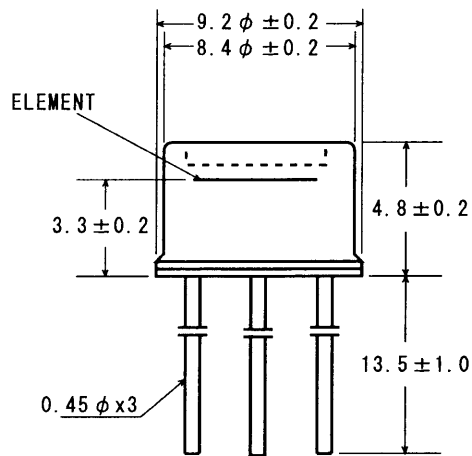
FIELD OF VIEW
(FIGURE 1-A)



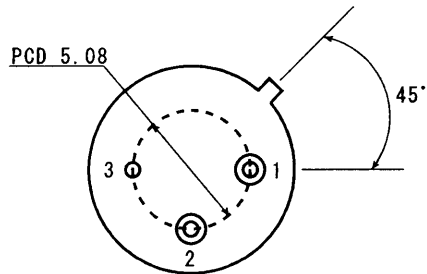
TOP VIEW
(FIGURE 1-B)



SIDE VIEW
(FIGURE 1-C)



BASE VIEW
(FIGURE 1-D)



- 1: DRAIN
- 2: SOURCE
- 3: GROUND

UNIT : mm

MODEL NO. : RE46B

PART NO. :

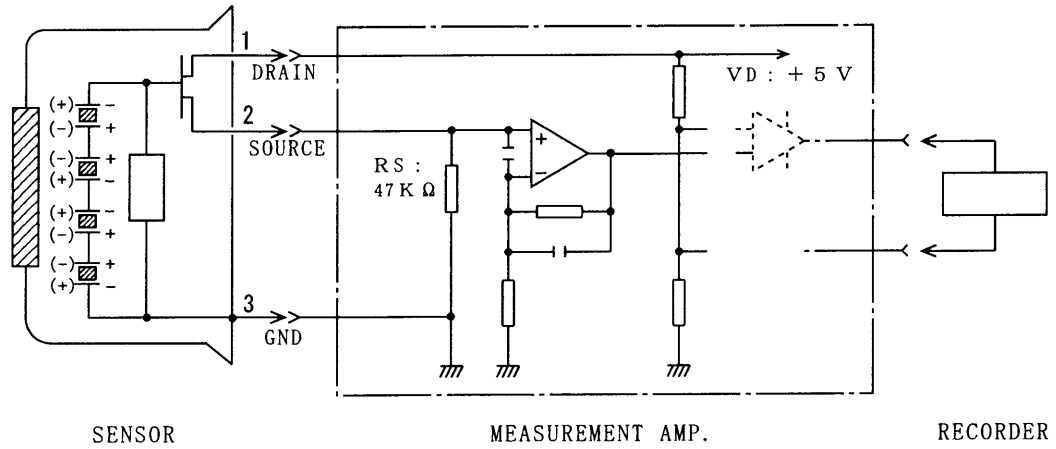
PAGE
4 / 6

DRAWING NO.

REV :
A

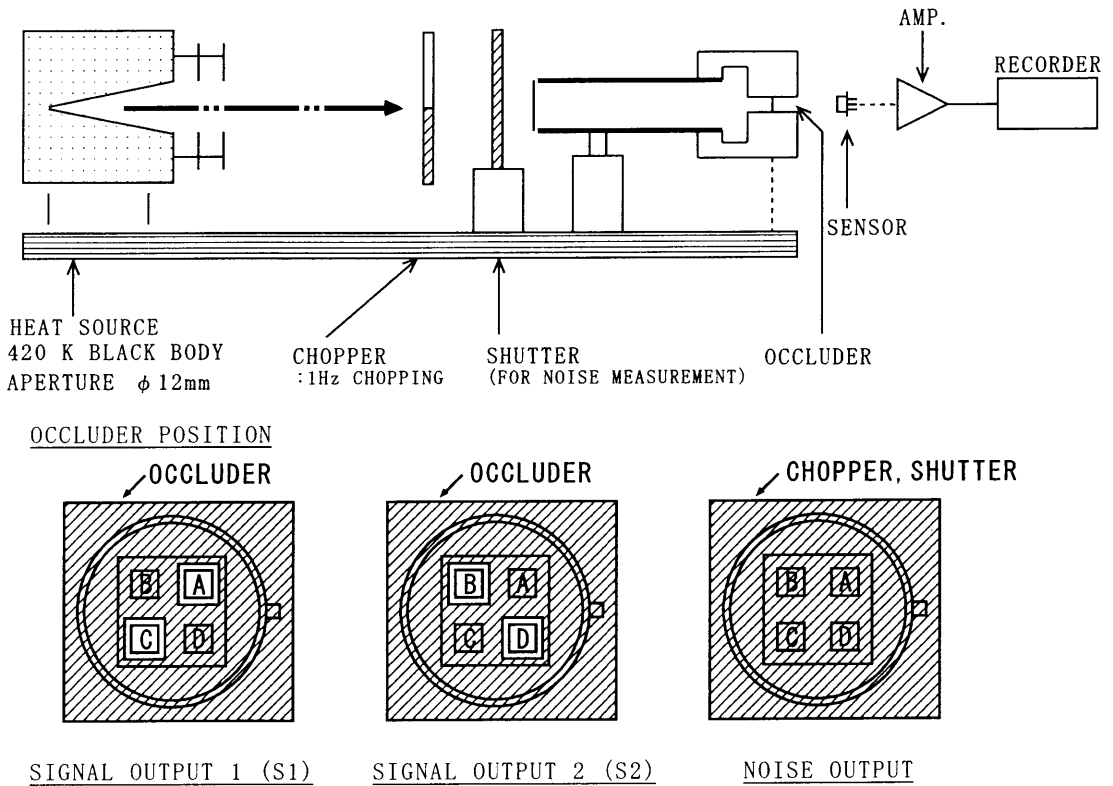
© NIPPON CERAMIC CO., LTD.

CIRCUIT CONFIGURATION (FIGURE 2)



※ MEASUREMENT AMP. : NON-INVERTED TYPE, GAIN 72.5 dB AT 1 Hz 0.4~2.7 Hz / -3 dB

TEST SET-UP BLOCK DIAGRAM (FIGURE 3)



MODEL NO. : RE46B

PART NO. :

PAGE
5 / 6

DRAWING NO.

REV :
A

© NIPPON CERAMIC CO., LTD.

※ NOTES

1. DESIGN RESTRICTIONS/PRECAUTIONS

IF USED FOR OUTDOOR APPLICATIONS, BE SURE TO APPLY SUITABLE SUPPLEMENTARY OPTICAL FILTER AND DRIP-PROOF, ANTI-DEW CONSTRUCTION. THIS SENSOR IS DESIGNED FOR INDOOR USE.

IN CASES WHERE SECONDARY ACCIDENTS DUE TO OPERATION FAILURE OR MALFUNCTIONS CAN BE ANTICIPATED, ADD A FAIL SAFE FUNCTION TO THE DESIGN.

2. USAGE RESTRICTIONS/PRECAUTIONS

TO PREVENT SENSOR MALFUNCTIONS, OPERATIONAL FAILURE OR ANY DETERIORATION OF ITS CHARACTERISTICS, DO NOT USE THIS SENSOR IN THE FOLLOWING, OR SIMILAR, CONDITIONS.

- A. IN RAPID ENVIRONMENTAL TEMPERATURE CHANGES.
- B. IN STRONG SHOCK OR VIBRATION.
- C. IN A PLACE WHERE THERE ARE OBSTRUCTING MATERIALS (GLASS, FOG, ETC.) THROUGH WHICH INFRARED RAYS CANNOT PASS WITHIN DETECTION AREA.
- D. IN FLUID, CORROSIVE GASES AND SEA BREEZE.
- E. CONTINUAL USE IN HIGH HUMIDITY ATMOSPHERE.
- F. EXPOSED TO DIRECT SUN LIGHT OR HEADLIGHTS OF AUTOMOBILES.
- G. EXPOSED TO DIRECT WIND FROM A HEATER OR AIR CONDITIONER.

3. ASSEMBLY RESTRICTIONS/PRECAUTIONS

SOLDERING -----

- A. USE SOLDERING IRONS WHEN SOLDERING.
- B. AVOID KEEPING PINS OF THIS SENSOR HOT FOR A LONG TIME AS EXCESSIVE HEAT MAY CAUSE DETERIORATION OF ITS QUALITY. (E.G. WITHIN 5 SEC. AT 350 °C)

WASHING -----

- A. BE SURE TO WASH OUT ALL FLUX AFTER SOLDERING AS REMAINDER MAY CAUSE MALFUNCTIONS.
- B. USE A BRUSH WHEN WASHING. WASHING WITH AN ULTRASONIC CLEANER MAY CAUSE OPERATIONAL FAILURE.

4. HANDLING AND STORAGE RESTRICTIONS/PRECAUTIONS

TO PREVENT SENSOR MALFUNCTIONS, OPERATIONAL FAILURE, APPEARANCE DAMAGE OR ANY DETERIORATION OF ITS CHARACTERISTICS, DO NOT EXPOSE THIS SENSOR TO THE FOLLOWING OR SIMILAR, HANDLING AND STORAGE CONDITIONS.

- A. VIBRATION FOR A LONG TIME.
- B. STRONG SHOCK.
- C. STATIC ELECTRICITY OR STRONG ELECTROMAGNETIC WAVES.
- D. HIGH TEMPERATURE AND HUMIDITY FOR A LONG TIME.
- E. CORROSIVE GASES OR SEA BREEZE.
- F. DIRTY AND DUSTY ENVIRONMENTS THAT MAY CONTAMINATE THE OPTICAL WINDOW.

SENSOR TROUBLES RESULTING FROM MISUSE, INAPPROPRIATE HANDLING OR STORAGE ARE NOT THE MANUFACTURER'S RESPONSIBILITY.

MODEL NO. : RE46B

PAGE
6 / 6

DRAWING NO.

REV :
A

PART NO. :

☉ NIPPON CERAMIC CO., LTD.